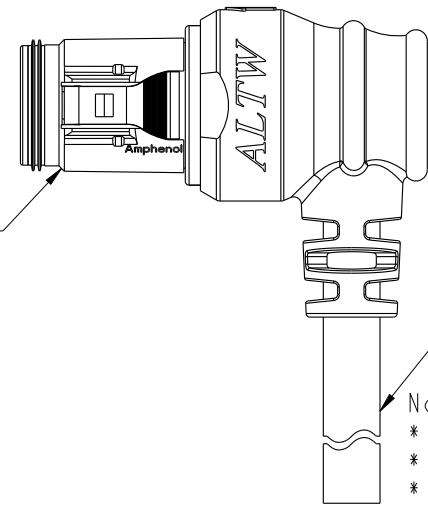
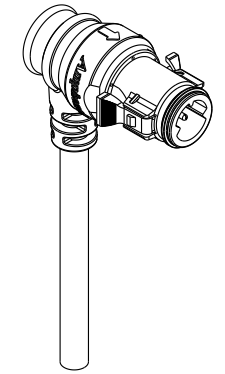
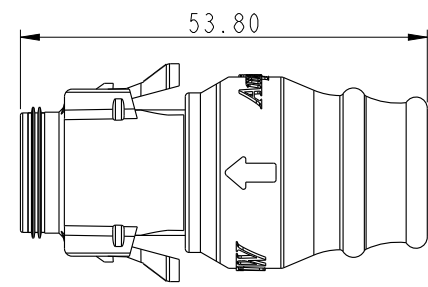
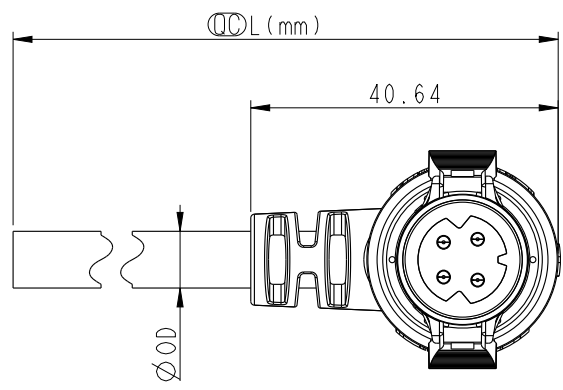
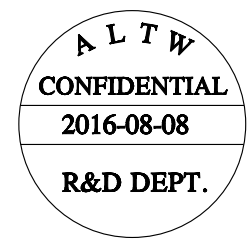


THIS DOCUMENT IS SUBJECT TO CHANGE WITHOUT NOTICE. IT IS CONFIDENTIAL AND A PROPERTY OF Amphenol LTW. DISCLOSURE TO THIRD PARTY HAS TO BE AUTHORIZED BY Amphenol LTW.

REV.	ECN NO.	DATE	SIGN	DESCRIPTION
B	LEN1580182~84	2015/08/10	Lu Di	Change To Comon Drawing
C	LEN1680347 LEN1680358-59	2016/08/08	Mafei	Updated The Pin Out Color.



CB-XXAMMM-RR7000  
Color: Black



- Note:
- \*  $\varnothing$  Important Dimension To Check.
  - \* Waterproof Rate: IP67
  - \* Housing: M-PPE, Black.
  - \* Male Pin: Copper Alloy, Gold Plated.
  - \* Gasket: Silicone, Gray.
  - \* Cable: UL2464 16#, PVC Jacket, UV Resistant, Black
  - \* Cable Length Tolerance: 01M:±40mm  
02M~05M:±60mm  
06M~10M:±100mm  
11M~30M:±200mm  
31M~99M:±500mm

\* Prohibiting the use of place in oils

CB-02AMMM-RR7AXX	Ø 7.8
CB-03AMMM-RR7AXX	Ø 7.5
CB-04AMMM-RR7AXX	Ø 7.5
Part No.	Cable OD

<b>UNIT:mm</b>	
<b>TOLERANCE</b>	±0.5

TITLE MIDDLE CABLE RBL M CONN M PIN			
SCALE 1:1	SIZE A4	SHEET 1 OF 2	
REV. C	WC-REV. A.2	$\varnothing$ : Inspection item	

**Amphenol LTW**  
安費諾亮泰企業股份有限公司

ITEM NO.	DRAWN BY Mafei	DATE 2016/08/08
DWG NO. CB-XXAMMM-RR7AXX	CHECKED BY Joyy	DATE 2016/08/08
CUSTOMER ALTW	APPROVED BY Jerry	DATE 2016/08/08

THIS DOCUMENT IS SUBJECT TO CHANGE WITHOUT NOTICE. IT IS CONFIDENTIAL AND A PROPERTY OF Amphenol LTW. DISCLOSURE TO THIRD PARTY HAS TO BE AUTHORIZED BY Amphenol LTW.



CB-XXAMMM-RR7A XX

Middle Size Current Rating 10A

XX:No. Of Pin(Pin 數)

A:Cable With S/R(線端帶網尾)

M:Male Connector(公座)

M:Male Pin(公Pin)

M:Molding Type(射出成型)

XX:01-99Meter

01:01Meter

02:02Meter

...

99:99Meter

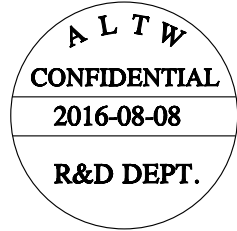
A:UL 2464 Cable

7:IP67(防水等級 67)

R:Right Angle(90°)

R:Snap In With Latch(彈臂卡合式)

Pin Out	4	--	4	Green 綠	4	Orange 橙
	3	Red 紅	3	White 白	3	Red 紅
	2	--	2	--	2	Brown 棕
	1	Black 黑	1	Black 黑	1	Black 黑
Pin Assignments Front View						
	2Pin		3Pin		4Pin	



UNIT:mm	TITLE MIDDLE CABLE RBL M CONN M PIN			Amphenol LTW 安費諾亮泰企業股份有限公司	ITEM NO	DRAWN BY Mafei	DATE 2016/08/08		
	TOLERANCE ±0.5		SCALE 1:1		SIZE A4	SHEET 2 OF 2	DWG NO CB-XXAMMM-RR7AXX	CHECKED BY Joyy	DATE 2016/08/08
	REV. C	WC-REV. A.2	QC: Inspection item		CUSTOMER ALTW	APPROVED BY Jerry	DATE 2016/08/08		

## X-ON Electronics

Largest Supplier of Electrical and Electronic Components

*Click to view similar products for [Sensor Cables / Actuator Cables](#) category:*

*Click to view products by [Amphenol](#) manufacturer:*

Other Similar products are found below :

[60963](#) [60964](#) [703000D02F2002](#) [703001D02F0602](#) [703001D02F300](#) [704000D02F120](#) [773032K02F030](#) [802027107404-1](#) [802027213811-1](#)  
[804001A09M150](#) [805001A09M0502](#) [84914-0235](#) [84914-0237](#) [885030A09M020](#) [8R4J30E03C3003](#) [1200651332](#) [1200651713](#) [1200660844](#)  
[1200660845](#) [1200661173](#) [1200680071](#) [1200720053](#) [1200720081](#) [1200720099](#) [1200720217](#) [1200800231](#) [1200860125](#) [1200870123](#)  
[1200980102](#) [1200650267](#) [1200650298](#) [1200660183](#) [1200660782](#) [1200660849](#) [1200661295](#) [1200661297](#) [1200661342](#) [1200661343](#)  
[1200670080](#) [1200670220](#) [1200680331](#) [1200720252](#) [1200730184](#) [1200860344](#) [1200870359](#) [1200870643](#) [1200980008](#) [1200980031](#)  
[1210502211](#) [1210400542](#)