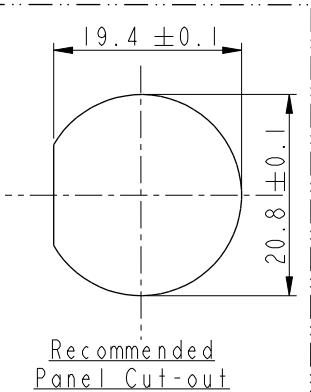
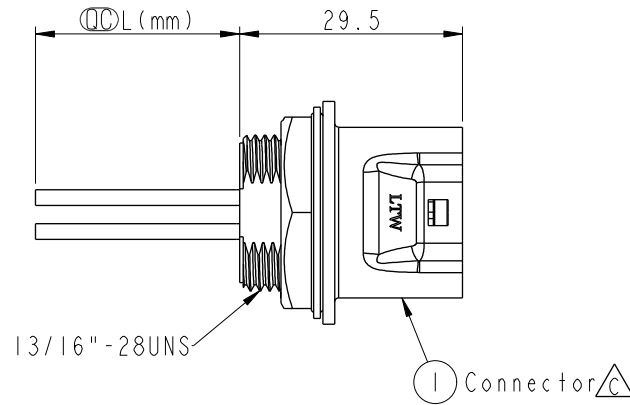
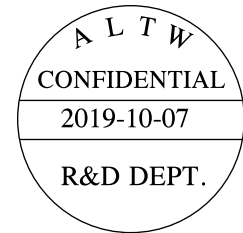
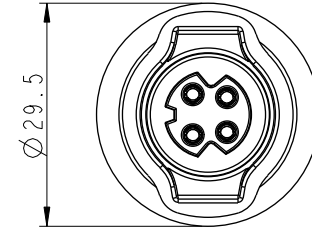
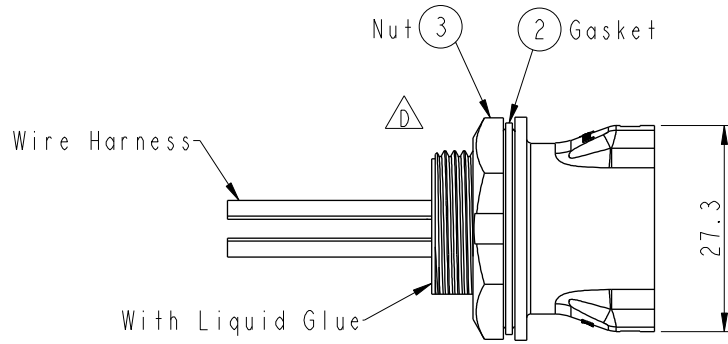
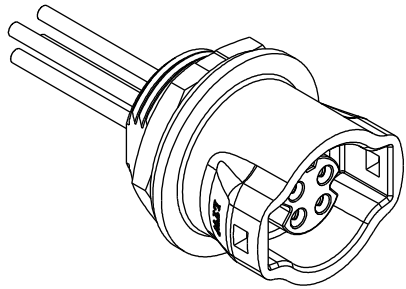


REV.	ECN NO.	DATE	SIGN	DESCRIPTION
C	LE315A0032~34	2015/09/19	Joyy	Update The Drawing
D	CI80139	2018/11/26	Mafei	Remove The Shrink Tube.
E	CI91730	2019/10/07	Vicky	Update Code & Wire Tolerance



- Note:
- \*  $\text{⌀}$  Important Dimension To Check.
  - \* Waterproof Rate: IP67
  - \* Housing: M-PPE, Black.
  - \* Female Pin: Copper Alloy, Gold Plated.
  - \* Gasket: Silicone, Black.
  - \* Screw Nut: Nylon+GF, Black.
  - \* Wire Harness: UL1015 16#
  - \* Panel Thickness Max: 5.0mm
  - \* Recommended Nut Torque: 4~7 kgf.cm
  - \* Wire harness Tolerance: 100 ± 10mm  
101~300 ± 15mm  
301~1000 ± 20mm
  - \* Prohibiting the use of place in oils

UNIT: mm		
TOLERANCE	± 0.5mm	

TITLE MIDDLE PANEL RBL F CONN F PIN			
SCALE 1:1	SIZE A4	SHEET 1 OF 2	
REV. E	WC-REV. A.3	$\text{⌀}$ : Inspection item	

**Amphenol LTW**  
安費諾亮泰企業股份有限公司

ITEM NO	DRAWN BY Mafei	DATE 2018-11-26
DWG NO CB-XXRFFC-RC7AXX	CHECKED BY Jerry	DATE 2018-11-26
CUSTOMER ALTW	APPROVED BY Max	DATE 2018-11-26

THIS DOCUMENT IS SUBJECT TO CHANGE WITHOUT NOTICE. IT IS CONFIDENTIAL AND A PROPERTY OF Amphenol LTW. DISCLOSURE TO THIRD PARTY HAS TO BE AUTHORIZED BY Amphenol LTW.

THIS DOCUMENT IS SUBJECT TO CHANGE WITHOUT NOTICE. IT IS CONFIDENTIAL AND A PROPERTY OF AMPHENOL LTW. DISCLOSURE TO THIRD PARTY HAS TO BE AUTHORIZED BY AMPHENOL LTW.



**CB-XXRFFC-RC7AXX**

Middle Size Current Rating 10A

XX: No. Of Pin (Pin 數)

R: Panel Rear Mounting (後鎖嵌面板式)

F: Female Connector (母座)

F: Female Pin (母Pin)

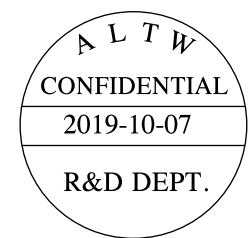
C: Crimp Type (夾線網裝式)

10 : 100mm  
 15 : 150mm  
 20 : 200mm

A0 : 1000mm

Cable Pitch Unit: 50mm  
 Wire Length (L): 100~1000mm

A: UL 1015  
 7: IP67 (防水等級 67)  
 C: Circular (圓座)  
 R: Snap in With Latch (彈臂卡合式)



Pin Out	4	--	4	Green 綠	4	Orange 橙
	3	Red 紅	3	Red 紅	3	Red 紅
	2	--	2	--	2	Brown 棕
	1	Black 黑	1	Black 黑	1	Black 黑
Pin Assignments Front View						
	2Pin		3Pin		4Pin	

UNIT: mm		TITLE		ITEM NO	DRAWN BY	DATE
		MIDDLE PANEL RBL F CONN F PIN				
TOLERANCE	±0.5mm	SCALE	SIZE	DWG NO	CHECKED BY	DATE
		1:1	A4	CB-XXRFFC-RC7AXX	Jerry	2018-11-26
		REV.	WC-REV.	CUSTOMER	APPROVED BY	DATE
		E	A.3	ALTW	Max	2018-11-26
		SHEET 2 OF 2		QC: Inspection item		
<b>Amphenol LTW</b>						
<b>安費諾亮泰企業股份有限公司</b>						

## X-ON Electronics

Largest Supplier of Electrical and Electronic Components

*Click to view similar products for [Standard Circular Connector](#) category:*

*Click to view products by [Amphenol](#) manufacturer:*

Other Similar products are found below :

[5M2530B10P](#) [600259N006](#) [600273N007](#) [6134-336-13149](#) [6134-337-11149](#) [6134-337-2390](#) [6134-341-17149](#) [6280-4SG-516](#) [6280-7SG-3DC](#)  
[6290](#) [6291A](#) [66200A-10](#) [680-SMG](#) [681-PMG](#) [CXS3102A14S2P](#) [CXS3102A181S](#) [7251-6SG-300](#) [7271-6SG-300](#) [7282-3PG-300-CH3](#) [75-](#)  
[474014-05S](#) [75-474618-01S](#) [75-474618-04P](#) [75-474618-04S](#) [799539-000](#) [MI8-SE](#) [805-005-07NF11-19PC](#) [805-005-07NF15-7PA](#) [8280-4PG-](#)  
[516](#) [8280-7PG-519](#) [8282-5PG-519](#) [836783-1](#) [MP-4102-25P-C](#) [862256-1](#) [864019-2](#) [866857-1](#) [867865-1](#) [PT01SP-14-18P](#) [PT08P-14-5S](#)  
[PTSF06SE-14-12S](#) [120-1833-000](#) [QCM019PC2DC012B](#) [1-2069279-1](#) [121583-0217](#) [121667-0020](#) [129591AU](#) [1000B BULK](#) [RD10A16-19-](#)  
[P6CS051/1](#) [RD10A20-31-P8CS051/1](#) [RD16A14-12-S6CS051/2](#) [1301240290](#) [1301240347](#)