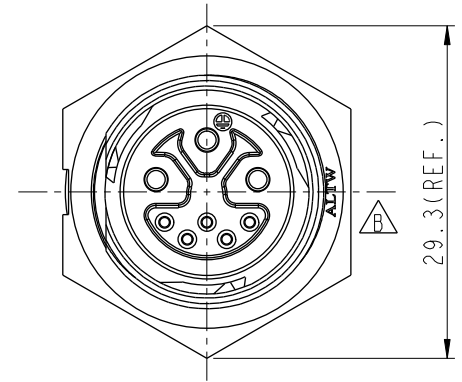
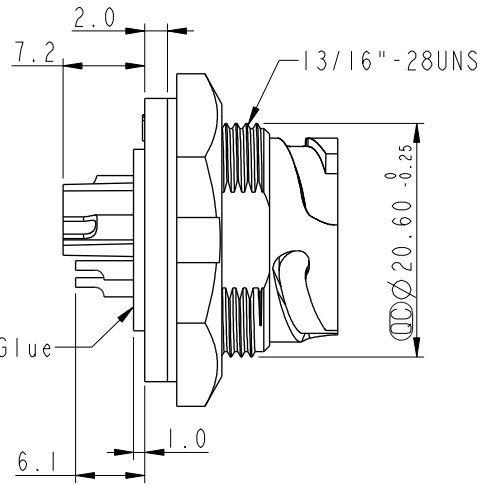
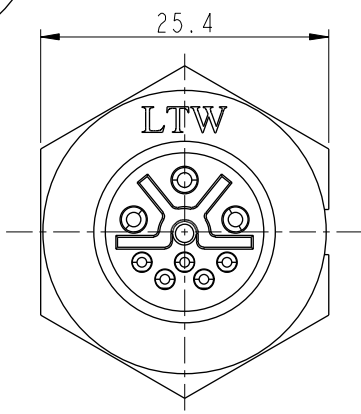


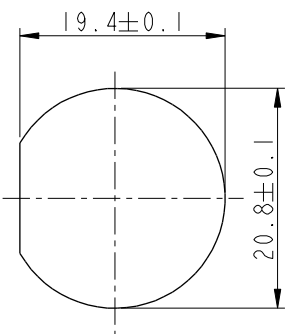
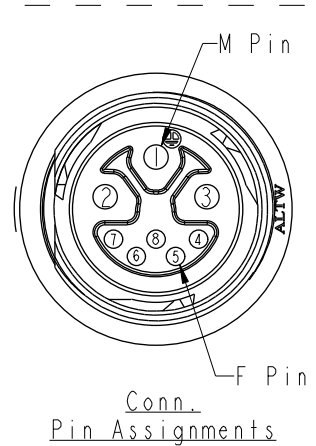
THIS DOCUMENT IS SUBJECT TO CHANGE WITHOUT NOTICE. IT IS CONFIDENTIAL AND A PROPERTY OF Amphenol LTW. DISCLOSURE TO THIRD PARTY HAS TO BE AUTHORIZED BY Amphenol LTW.

REV.	ECN NO.	DATE	SIGN	DESCRIPTION
A	Initial Release	2010/10/19	Jimmy	Rev.01 Changed To Rev.A
B	CI90271	2019/02/27	Ruru	Modify Note & Change Logo

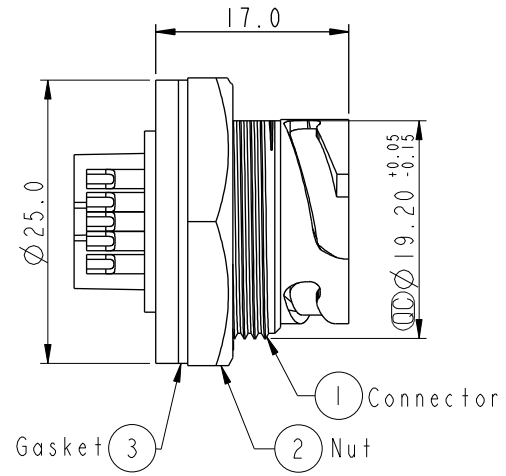
**ALTW**  
**CONFIDENTIAL**  
 2019-02-27  
**R&D DEPT.**



With Liquid Glue



Recommended Panel Cut-Out



Note:  $\triangle B$

- \*  $\varnothing$  Important Dimension To Check.
- \* Waterproof Rate: IP67, Unmated
- \* Housing: Thermoplastic, Black
- \* Pin: Copper Alloy, Gold Plated
- \* Nut: Thermoplastic, Black
- \* Gasket: Rubber, Gray
- \* Use With Waterproof Cap Or Dust Cap  
Panel Thickness Max: 3.0mm
- \* Use Without Waterproof Cap Or Dust Cap  
Panel Thickness Max: 4.0mm
- \* Gasket and Nut are packed separately in PE bags.

UNIT: mm		
TOLERANCE	.X ±0.25	
	.XX ±0.1	
	.XXX ±0.05	
ANGLES	±1°	

TITLE HyBrid Panel, Middle, 3Key 3MPin(10A)+5FPin(2A)			
SCALE 3:2	SIZE A4	SHEET 1 OF 1	
REV. B	WC-REV. A.1	$\varnothing$ : Inspection item	

**Amphenol LTW**  
**安費諾亮泰企業股份有限公司**

ITEM NO. CBU-08PMES-TC7001	DRAWN BY Ruru	DATE 2019-02-27
DWG NO. CBU-08PMES-TC7001	CHECKED BY Rita	DATE 2019-02-27
CUSTOMER ALTW	APPROVED BY Max	DATE 2019-02-27

## X-ON Electronics

Largest Supplier of Electrical and Electronic Components

*Click to view similar products for [Standard Circular Connector](#) category:*

*Click to view products by [Amphenol](#) manufacturer:*

Other Similar products are found below :

[5M2530B10P](#) [600259N006](#) [600273N007](#) [6134-336-13149](#) [6134-337-11149](#) [6134-337-2390](#) [6134-341-17149](#) [6280-4SG-516](#) [6280-7SG-3DC](#)  
[6290](#) [6291A](#) [66200A-10](#) [680-SMG](#) [681-PMG](#) [CXS3102A14S2P](#) [CXS3102A181S](#) [7251-6SG-300](#) [7271-6SG-300](#) [7282-3PG-300-CH3](#) [75-](#)  
[474014-05S](#) [75-474618-01S](#) [75-474618-04P](#) [75-474618-04S](#) [799539-000](#) [MI8-SE](#) [805-005-07NF11-19PC](#) [805-005-07NF15-7PA](#) [8280-4PG-](#)  
[516](#) [8280-7PG-519](#) [8282-5PG-519](#) [836783-1](#) [MP-4102-25P-C](#) [862256-1](#) [864019-2](#) [866857-1](#) [867865-1](#) [PT01SP-14-18P](#) [PT08P-14-5S](#)  
[PTSF06SE-14-12S](#) [120-1833-000](#) [QCM019PC2DC012B](#) [1-2069279-1](#) [121583-0217](#) [121667-0020](#) [129591AU](#) [1000B BULK](#) [RD10A16-19-](#)  
[P6CS051/1](#) [RD10A20-31-P8CS051/1](#) [RD16A14-12-S6CS051/2](#) [1301240290](#) [1301240347](#)