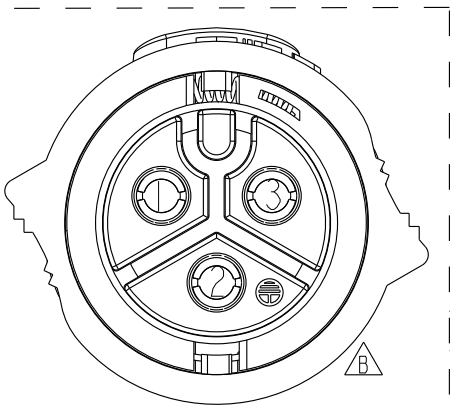
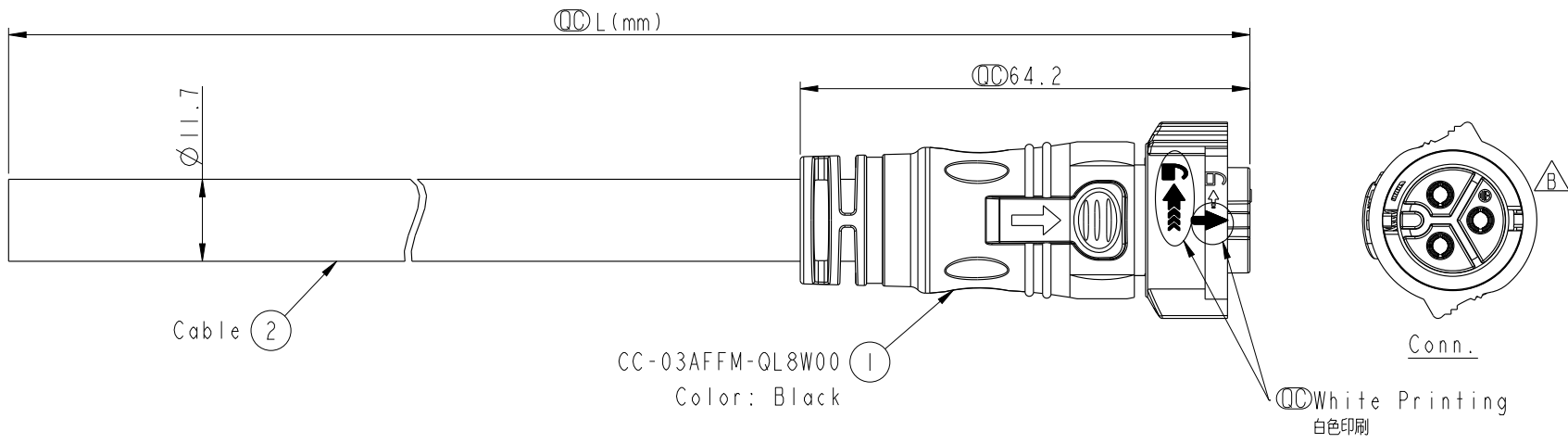


REV.	ECN NO.	DATE	SIGN	DESCRIPTION
B	LEN1650703	2016-04-16	Spring	Add ground pin



Pin Assignments
Front View

ALTW
CONFIDENTIAL
 2016-04-16
R&D DEPT.

3	White	白
2	Green	綠
1	Black	黑
Conn.	Wire Color	
	Pin Out	

CC-03AFFM-QL8EXX

XX: 01~99Meters
 01: 01Meter
 02: 02Meters
 ...
 99: 99Meters

- Note:
- * \varnothing Important Dimension To Check.
 - * Working Voltage Rating: 300V AC
 - * Working Current Rating: Max. 20A
 - * \triangle Waterproof Rate: IP68.(Mated)
in 1 meter water within 24 hours
 - * Connector: Nylon+GF, Black.
 - * Female Pin: Copper Alloy, Gold Plated.
 - * Lock Nut: Nylon+GF, Black.
 - * Cable: SJTW 12WG*3C, Black,
PVC Jacket, OD=11.7mm.
 - * Cable Length Tolerance: 01M:±40mm
02M~05M:±60mm
06M~10M:±100mm
11M~30M:±200mm
31M~99M:±500mm

UNIT:mm TOLERANCE ±0.5	TITLE X Lok C-Size Cable 3 Pin 20A F Conn. F Pin		<h1 style="text-align: center;">Amphenol LTW</h1> <p style="text-align: center;">安費諾亮泰企業股份有限公司</p>		ITEM NO	DRAWN BY Spring	DATE 2016-04-16		
	SCALE 1:1	SIZE A4			SHEET 1	OF 1	DWG NO CC-03AFFM-QL8EXX	CHECKED BY Fisher	DATE 2016-04-16
	REV. B	WC-REV. A.2			\varnothing : Inspection item		CUSTOMER ALTW	APPROVED BY Kevin	DATE 2016-04-16

THIS DOCUMENT IS SUBJECT TO CHANGE WITHOUT NOTICE. IT IS CONFIDENTIAL AND A PROPERTY OF Amphenol LTW. DISCLOSURE TO THIRD PARTY HAS TO BE AUTHORIZED BY Amphenol LTW.

X-ON Electronics

Largest Supplier of Electrical and Electronic Components

Click to view similar products for [Standard Circular Connector](#) category:

Click to view products by [Amphenol](#) manufacturer:

Other Similar products are found below :

[5M2530B10P](#) [600259N006](#) [600273N007](#) [6134-336-13149](#) [6134-337-11149](#) [6134-337-2390](#) [6134-341-17149](#) [6280-4SG-516](#) [6280-7SG-3DC](#)
[6290](#) [6291A](#) [66200A-10](#) [680-SMG](#) [681-PMG](#) [CXS3102A14S2P](#) [CXS3102A181S](#) [7251-6SG-300](#) [7271-6SG-300](#) [7282-3PG-300-CH3](#) [75-](#)
[474014-05S](#) [75-474618-01S](#) [75-474618-04P](#) [75-474618-04S](#) [799539-000](#) [MI8-SE](#) [805-005-07NF11-19PC](#) [805-005-07NF15-7PA](#) [8280-4PG-](#)
[516](#) [8280-7PG-519](#) [8282-5PG-519](#) [836783-1](#) [MP-4102-25P-C](#) [862256-1](#) [864019-2](#) [866857-1](#) [867865-1](#) [PT01SP-14-18P](#) [PT08P-14-5S](#)
[PTSF06SE-14-12S](#) [120-1833-000](#) [QCM019PC2DC012B](#) [1-2069279-1](#) [121583-0217](#) [121667-0020](#) [129591AU](#) [1000B BULK](#) [RD10A16-19-](#)
[P6CS051/1](#) [RD10A20-31-P8CS051/1](#) [RD16A14-12-S6CS051/2](#) [1301240290](#) [1301240347](#)