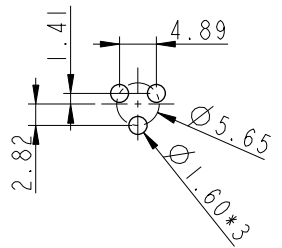
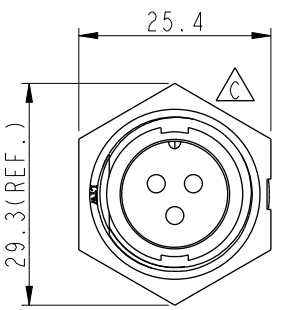


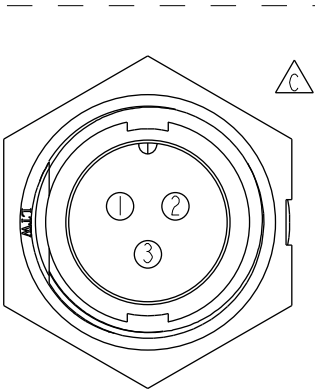
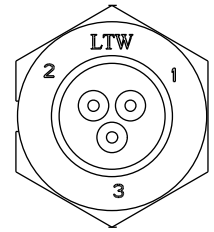
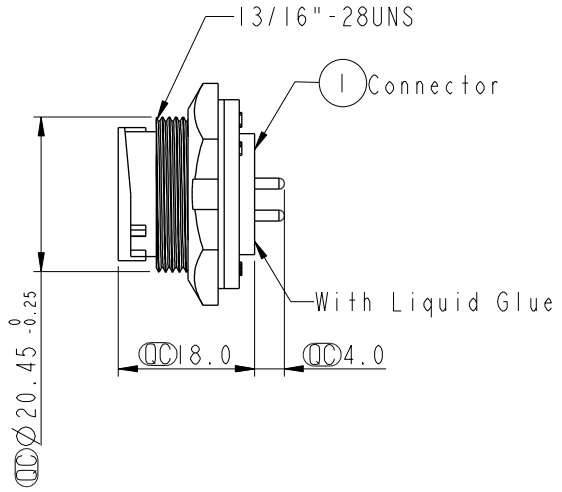
REV.	ECN NO.	DATE	SIGN	DESCRIPTION
B	LEN-8B0052	2008/10/03	Shin	Add Note
C	LEN-090205	2010/09/07	WuHaiYan	Delete Logo

ALTW  
CONFIDENTIAL  
2012-04-10  
R&D DEPT.

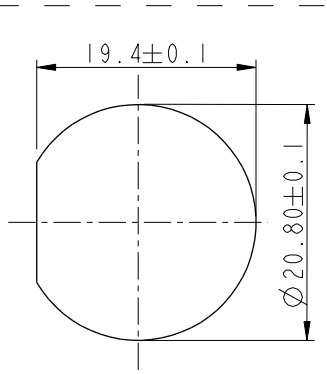
ALTW  
DCC. DEPT.  
CONFIDENTIAL  
2012-05-10  
ISSUED



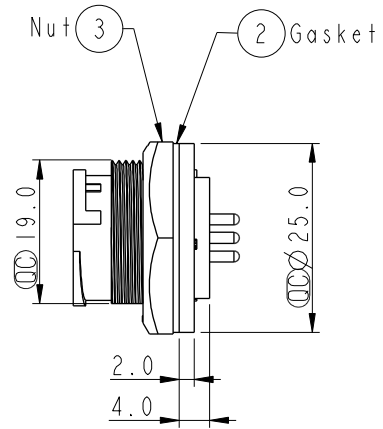
3Pin Male Connector  
Female Pin PCB Layout



Pin Assignments  
Front View



Recommenderd  
Panel Cut-Out



Note:

- \*  $\varnothing$  Important Dimension.
- \* Waterproof Rate: IP67
- \* Housing: Nylon+GF, Black.
- \* Male Pin: Copper Alloy, Gold Plated.
- \* Nut: Nylon+GF, Black.
- \* Gasket: EPDM, Black.

- $\triangle B$  \* Use with waterproof cap or dust cap  
Panel Thickness Max: 3.0mm
- $\triangle B$  \* Use without waterproof cap or dust cap  
Panel Thickness Max: 4.0mm

UNIT:mm		
TOLERANCE	.X ±0.25	
.XX ±0.1		
.XXX ±0.05		
ANGLES	±1°	

TITLE Lock Type Connector For Panel Mount Male Connector Male Pin (20A)			
SCALE 1:1	SIZE A4	SHEET 1 OF 1	
REV. C	WC-REV. A.2	$\varnothing$ : Inspection item	

**Amphenol LTW**  
安費諾亮泰企業股份有限公司

ITEM NO. CC-03PMMP-LC7001	DRAWN BY SamChang	DATE 2012-04-10
DWG NO. CC-03PMMP-LC7001	CHECKED BY Jeffrey	DATE 2012-05-10
CUSTOMER ALTW	APPROVED BY Lion	DATE 2012-05-10

THIS DOCUMENT IS SUBJECT TO CHANGE WITHOUT NOTICE. IT IS CONFIDENTIAL AND A PROPERTY OF AMPHENOL LTW. DISCLOSURE TO THIRD PARTY HAS TO BE AUTHORIZED BY AMPHENOL LTW.

## X-ON Electronics

Largest Supplier of Electrical and Electronic Components

*Click to view similar products for [Standard Circular Connector](#) category:*

*Click to view products by [Amphenol](#) manufacturer:*

Other Similar products are found below :

[5M2530B10P](#) [600259N006](#) [600273N007](#) [6134-336-13149](#) [6134-337-11149](#) [6134-337-2390](#) [6134-341-17149](#) [6280-4SG-516](#) [6280-7SG-3DC](#)  
[6290](#) [6291A](#) [66200A-10](#) [680-SMG](#) [681-PMG](#) [CXS3102A14S2P](#) [CXS3102A181S](#) [7251-6SG-300](#) [7271-6SG-300](#) [7282-3PG-300-CH3](#) [75-](#)  
[474014-05S](#) [75-474618-01S](#) [75-474618-04P](#) [75-474618-04S](#) [799539-000](#) [MI8-SE](#) [805-005-07NF11-19PC](#) [805-005-07NF15-7PA](#) [8280-4PG-](#)  
[516](#) [8280-7PG-519](#) [8282-5PG-519](#) [836783-1](#) [MP-4102-25P-C](#) [862256-1](#) [864019-2](#) [866857-1](#) [867865-1](#) [PT01SP-14-18P](#) [PT08P-14-5S](#)  
[PTSF06SE-14-12S](#) [120-1833-000](#) [QCM019PC2DC012B](#) [1-2069279-1](#) [121583-0217](#) [121667-0020](#) [129591AU](#) [1000B BULK](#) [RD10A16-19-](#)  
[P6CS051/1](#) [RD10A20-31-P8CS051/1](#) [RD16A14-12-S6CS051/2](#) [1301240290](#) [1301240347](#)