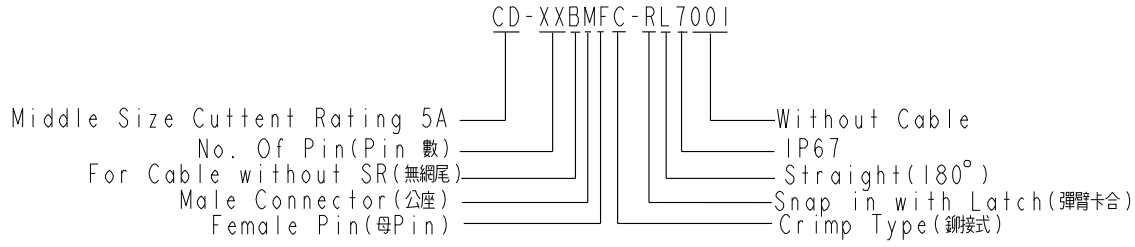
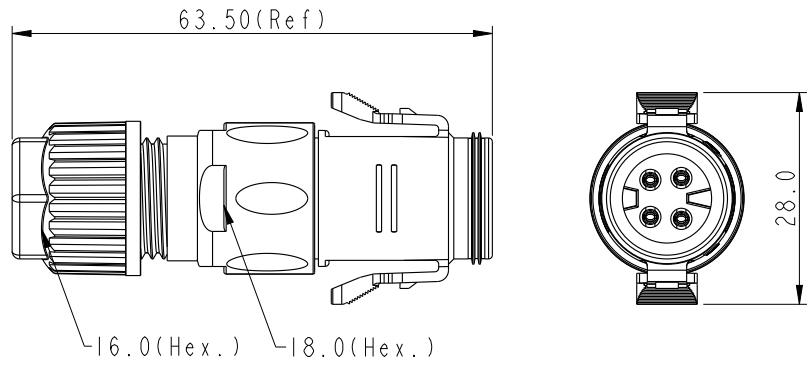
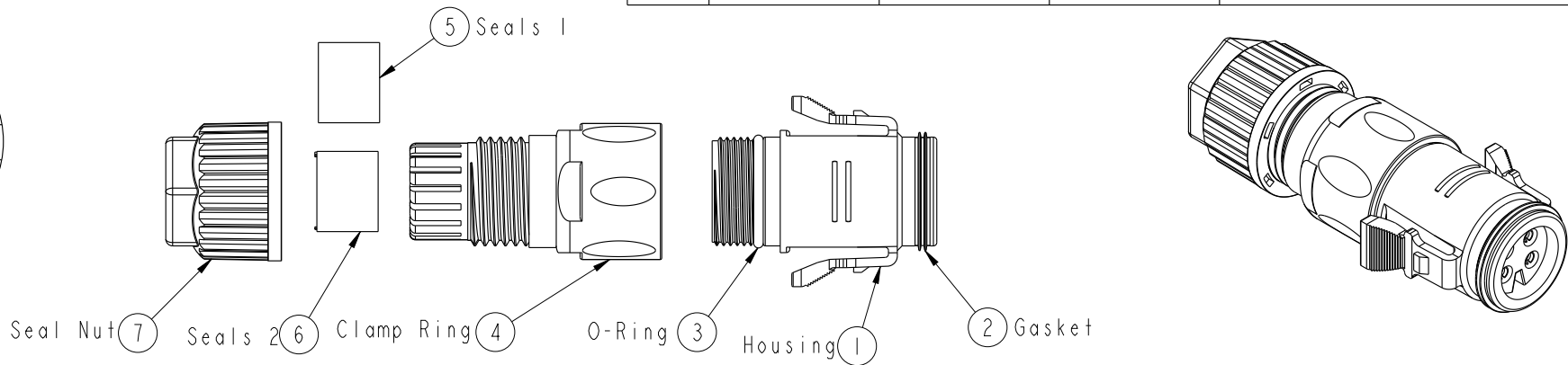


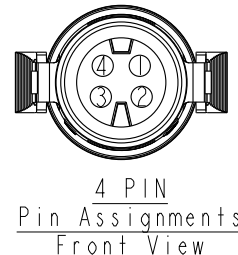
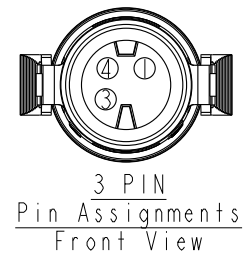
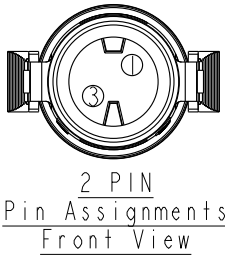
THIS DOCUMENT IS SUBJECT TO CHANGE WITHOUT NOTICE. IT IS CONFIDENTIAL AND A PROPERTY OF AMPHENOL LTW. DISCLOSURE TO THIRD PARTY HAS TO BE AUTHORIZED BY AMPHENOL LTW.

REV.	ECN NO.	DATE	SIGN	DESCRIPTION
A	Initial Release	2015/07/15	Mafei	Change Rev.01 To Rev.A

ALTW
CONFIDENTIAL
2015-07-15
R&D DEPT.



- Note:
- * \varnothing Important Dimension To Check.
 - * Waterproof Rate: IP67 (Mating)
 - * Housing: M-PPE, Black, UL94 V-0, UL746C fl
 - * Conductor Current Rating: Max.5A Depends On Wire
 - * O-Ring: Silicone, Gray, UL94 V-0
 - * Seals: Silicone, Gray, UL94 V-0
 - * Clamp Ring: Nylon, Black, UL94 V-0, UL746C fl
 - * Sealing Nut: Nylon, Black, UL94 V-0, UL746C fl
 - * Seal 1 For Cable OD: $\varnothing 4.5\text{mm} \sim \varnothing 7.5\text{mm}$
 - * Seal 2 For Cable OD: $\varnothing 7.5\text{mm} \sim \varnothing 9.5\text{mm}$
 - * Prohibiting the use of place in oils.
 - * Clamp Ring Recommended Tightening Torque: 4~7 Kgf.cm(0.4~0.7 N.m)
 - * Sealing Nut Recommended Tightening Torque: 5~10 Kgf.cm(0.5~1 N.m)



UNIT:mm		TITLE	ASSY RBL M CONN F PIN	
TOLERANCE		SCALE	SIZE	SHEET
± 0.5		1:1	A4	1 OF 2
REV.	WC-REV.	QC: Inspection item		
A	A.1			

Amphenol LTW
安費諾亮泰企業股份有限公司

ITEM NO	DRAWN BY	DATE
	Mafei	2015-07-15
DWG NO	CHECKED BY	DATE
CD-XXBMFC-RL7001	Arthur	2015-07-15
CUSTOMER	APPROVED BY	DATE
ALTW	Jerry	2015-07-15

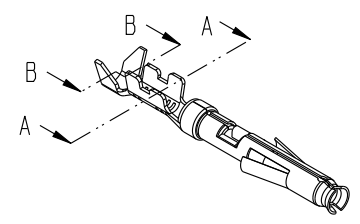
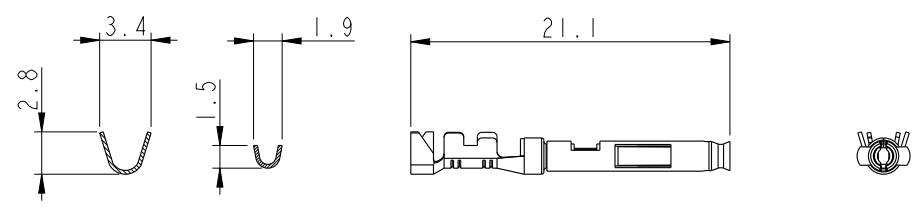
THIS DOCUMENT IS SUBJECT TO CHANGE WITHOUT NOTICE. IT IS CONFIDENTIAL AND A PROPERTY OF Amphenol LTW. DISCLOSURE TO THIRD PARTY HAS TO BE AUTHORIZED BY Amphenol LTW.

REV.	ECN NO.	DATE	SIGN	DESCRIPTION

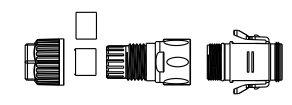
Optional Part: Terminal
P/N: SAF20D-XXG03

- 01: 3500Pcs/Reel
- 02: 500 Pcs Loose
- 03: 100 Pcs Loose

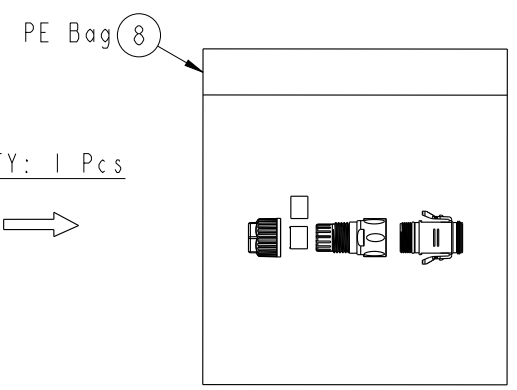
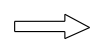
Contact Material: Copper Alloy, Gold Plated
Current Rating: 5A.
Wire Range: 20#~24#



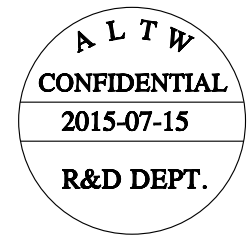
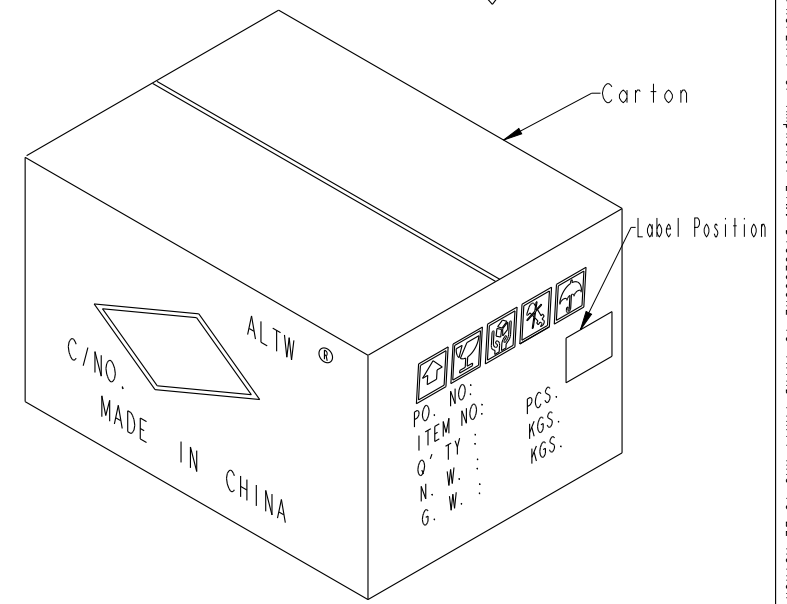
Note:
* One Set Unassembled In One PE Bag.
(每一組未組裝，放置於一個PE袋，並封口)



QTY: 1 Pcs



QTY: XX Pcs



UNIT: mm		TITLE ASSY RBL M CONN F PIN
TOLERANCE .X ±0.25 .XX ±0.1 .XXX ±0.05 ANGLES ±1°	SCALE 1:1	SIZE A4
	REV. A	SHEET 2 OF 2
	WC-REV. A.1	QC: Inspection item

Amphenol LTW
安費諾亮泰企業股份有限公司

ITEM NO.	DRAWN BY Mafei	DATE 2015/07/15
DWG NO. CD-XXBMFC-RL7001	CHECKED BY Arthur	DATE 2015/07/15
CUSTOMER ALTW	APPROVED BY Jerry	DATE 2015/07/15

X-ON Electronics

Largest Supplier of Electrical and Electronic Components

Click to view similar products for [Standard Circular Connector](#) category:

Click to view products by [Amphenol](#) manufacturer:

Other Similar products are found below :

[5M2530B10P](#) [600259N006](#) [600273N007](#) [6134-336-13149](#) [6134-337-11149](#) [6134-337-2390](#) [6134-341-17149](#) [6280-4SG-516](#) [6280-7SG-3DC](#)
[6290](#) [6291A](#) [66200A-10](#) [680-SMG](#) [681-PMG](#) [CXS3102A14S2P](#) [CXS3102A181S](#) [7251-6SG-300](#) [7271-6SG-300](#) [7282-3PG-300-CH3](#) [75-](#)
[474014-05S](#) [75-474618-01S](#) [75-474618-04P](#) [75-474618-04S](#) [799539-000](#) [MI8-SE](#) [805-005-07NF11-19PC](#) [805-005-07NF15-7PA](#) [8280-4PG-](#)
[516](#) [8280-7PG-519](#) [8282-5PG-519](#) [836783-1](#) [MP-4102-25P-C](#) [862256-1](#) [864019-2](#) [866857-1](#) [867865-1](#) [PT01SP-14-18P](#) [PT08P-14-5S](#)
[PTSF06SE-14-12S](#) [120-1833-000](#) [QCM019PC2DC012B](#) [1-2069279-1](#) [121583-0217](#) [121667-0020](#) [129591AU](#) [1000B BULK](#) [RD10A16-19-](#)
[P6CS051/1](#) [RD10A20-31-P8CS051/1](#) [RD16A14-12-S6CS051/2](#) [1301240290](#) [1301240347](#)