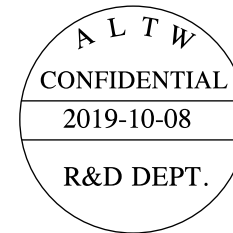
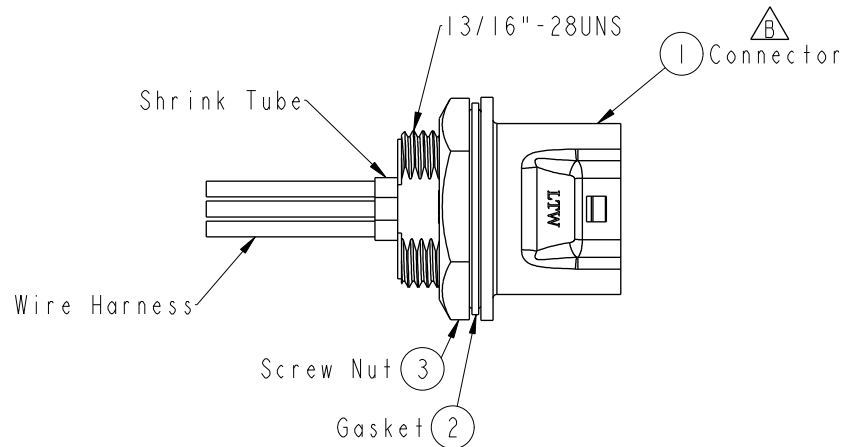
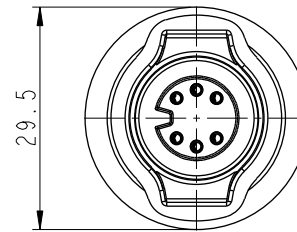
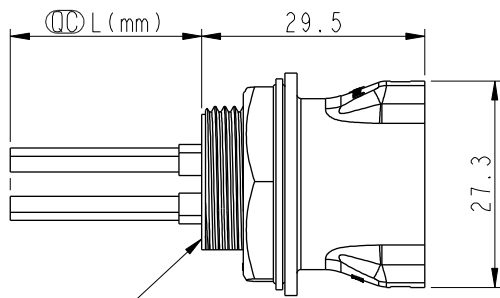
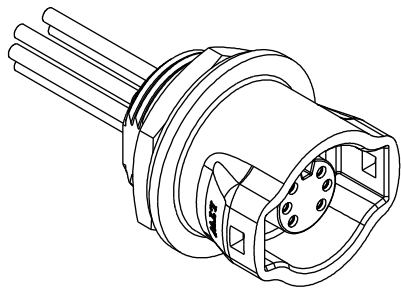
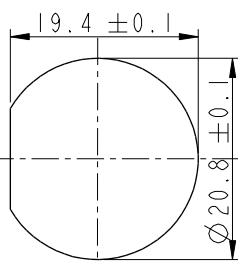


REV.	ECN NO.	DATE	SIGN	DESCRIPTION
B	LE315A0044~48	2015/09/22	Joyy	Update The Drawing
C	LEN15B0321~325	2015/11/10	Joyy	Add 7-8 And 9 Pin To The Common Drawing
D	CI91730	2019/10/08	Vicky	Update Code & Wire Tolerance



Note:

- * $\text{\textcircled{Q}}$ Important Dimension To Check.
- * Waterproof Rate: IP67
- * $\triangle C$ Housing: 2~6Pin M-PPE, Black.
7~9Pin Nylon+GF, Black.
- * Female Pin: Copper Alloy, Gold Plated.
- * Gasket: Silicone, Black.
- * Screw Nut: Nylon+GF, Black.
- * Wire Harness: UL1430 20#
- * Panel Thickness Max: 5.0mm
- * Recommended Nut Torque: 4~7 kgf.cm
- * $\triangle D$ Wire harness Tolerance: 100 \pm 10mm
101~300 \pm 15mm
301~1000 \pm 20mm
- * Prohibiting the use of place in oils



Recommended Panel Cut-out

UNIT:mm		
TOLERANCE	$\pm 0.5\text{mm}$	

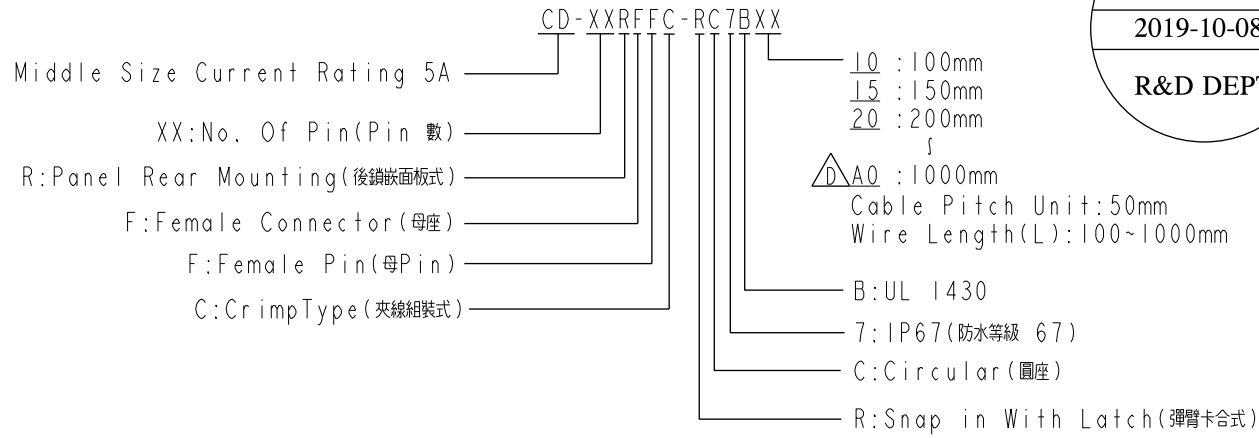
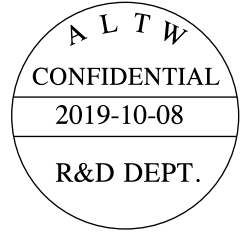
TITLE MIDDLE PANEL RBL F CONN F PIN			
SCALE 1:1	SIZE A4	SHEET 1 OF 2	
REV. D	WC-REV. A.2	$\text{\textcircled{Q}}$: Inspection item	

Amphenol LTW
安費諾亮泰企業股份有限公司

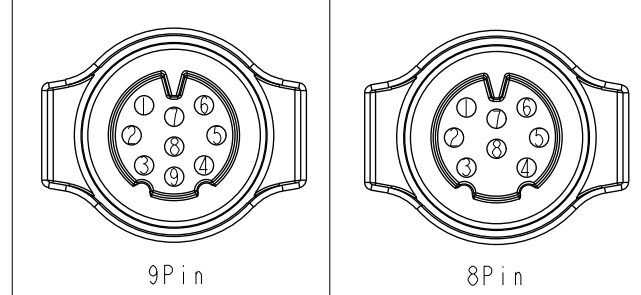
ITEM NO	DRAWN BY Joyy	DATE 2015-11-10
DWG NO CD-XXRFFC-RC7BXX	CHECKED BY Lu Di	DATE 2015-11-10
CUSTOMER ALTW	APPROVED BY Jerry	DATE 2015-11-10

THIS DOCUMENT IS SUBJECT TO CHANGE WITHOUT NOTICE. IT IS CONFIDENTIAL AND A PROPERTY OF Amphenol LTW. DISCLOSURE TO THIRD PARTY HAS TO BE AUTHORIZED BY Amphenol LTW.

THIS DOCUMENT IS SUBJECT TO CHANGE WITHOUT NOTICE. IT IS CONFIDENTIAL AND A PROPERTY OF Amphenol LTW. DISCLOSURE TO THIRD PARTY HAS TO BE AUTHORIZED BY Amphenol LTW.



9	White	白	9	--	
8	Purple	紫	8	Purple	紫
7	Red	紅	7	Red	紅
6	Green	綠	6	Green	綠
5	Yellow	黃	5	Yellow	黃
4	Blue	藍	4	Blue	藍
3	Orange	橘	3	Orange	橘
2	Brown	棕	2	Brown	棕
1	Black	黑	1	Black	黑



Pin Out	4	--	4	Blue	藍	4	Blue	藍	6	Green	綠	6	Grey	灰	9	--	
	3	White	3	White	白	3	White	白	5	--		5	Yellow	黃	8	--	
	2	--	2	--		2	Brown	棕	4	Black	黑	4	Green	綠	7	Red	紅
	1	Black	1	Black	黑	1	Black	黑	3	Blue	藍	3	White	白	6	Green	綠
									2	White	白	2	Blue	藍	5	Yellow	黃
									1	Brown	棕	1	Brown	棕	4	Blue	藍
															3	Orange	橘
															2	Brown	棕
															1	Black	黑
Pin Assignments Front View	2Pin		3Pin		4Pin		5Pin		6Pin		7Pin						

UNIT:mm		TITLE MIDDLE PANEL RBL F CONN F PIN		Amphenol LTW		ITEM NO	DRAWN BY	DATE
TOLERANCE	±0.5mm	SCALE 1:1	SIZE A4	SHEET 2 OF 2	安費諾亮泰企業股份有限公司	DWG NO CD-XXRFFC-RC7BXX	JOY	2015-11-10
REV. D	WC-REV. A.2	QC: Inspection item		CUSTOMER ALTW		CHECKED BY Lu Di	DATE 2015-11-10	DATE 2015-11-10
						APPROVED BY Jerry	DATE 2015-11-10	

X-ON Electronics

Largest Supplier of Electrical and Electronic Components

Click to view similar products for [Sensor Cables / Actuator Cables](#) category:

Click to view products by [Amphenol](#) manufacturer:

Other Similar products are found below :

[60963](#) [60964](#) [703000D02F2002](#) [703001D02F0602](#) [703001D02F300](#) [704000D02F120](#) [773032K02F030](#) [802027107404-1](#) [802027213811-1](#)
[804001A09M150](#) [805001A09M0502](#) [84914-0235](#) [84914-0237](#) [885030A09M020](#) [8R4J30E03C3003](#) [1200651332](#) [1200651713](#) [1200660844](#)
[1200660845](#) [1200661173](#) [1200680071](#) [1200720053](#) [1200720081](#) [1200720099](#) [1200720217](#) [1200800231](#) [1200860125](#) [1200870123](#)
[1200980102](#) [1200650267](#) [1200650298](#) [1200660183](#) [1200660782](#) [1200660849](#) [1200661295](#) [1200661297](#) [1200661342](#) [1200661343](#)
[1200670080](#) [1200670220](#) [1200680331](#) [1200720252](#) [1200730184](#) [1200860344](#) [1200870359](#) [1200870643](#) [1200980008](#) [1200980031](#)
[1210502211](#) [1210400542](#)