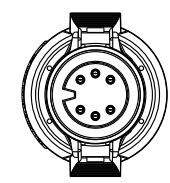
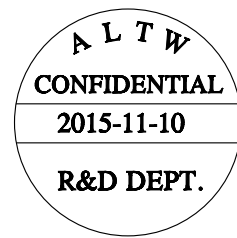
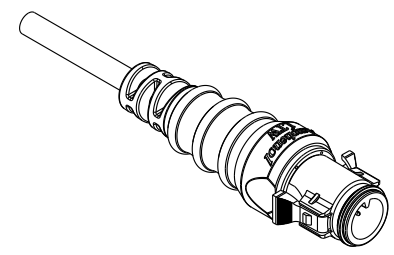
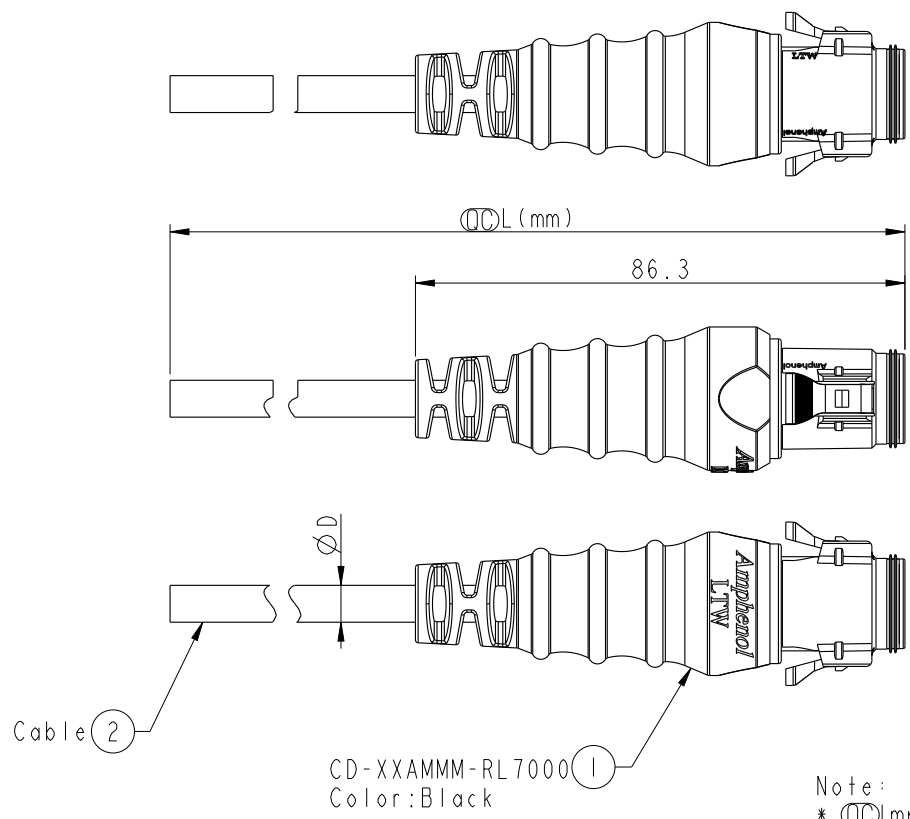


THIS DOCUMENT IS SUBJECT TO CHANGE WITHOUT NOTICE. IT IS CONFIDENTIAL AND A PROPERTY OF AMPHENOL LTW. DISCLOSURE TO THIRD PARTY HAS TO BE AUTHORIZED BY AMPHENOL LTW.

REV.	ECN NO.	DATE	SIGN	DESCRIPTION
B	LE31570314~15	2015/07/18	Lu Di	Change To Common drawing
C	LEN15B0366-370	2015/11/10	Joy	Add 7-8 And 9 Pin To The Common Drawing



Conn

CD-XXAMMM-RL7000 ①  
Color:Black

- Note:
- \* ① Important Dimension To Check.
  - \* Waterproof Rate: IP67
  - \* Housing: M-PPE, Black.
  - \* Male Pin: Copper Alloy, Gold Plated.
  - \* Gasket: Silicone, Gray.
  - \* Cable: UL2464 20# ,PVC Jacket , UV Resistant, Black.
  - \* Cable Length Tolerance:
    - 01M:±40mm
    - 02M~05M:±60mm
    - 06M~10M:±100mm
    - 11M~30M:±200mm
    - 31M~99M:±500mm
  - \* Prohibiting the use of place in oils.

Part No.	Cable OD
CD-02AMMM-RL7AXX	
CD-03AMMM-RL7AXX	Ø 5.5
CD-04AMMM-RL7AXX	
CD-05AMMM-RL7AXX	Ø 6.0
CD-06AMMM-RL7AXX	Ø 6.5
CD-07AMMM-RL7AXX	
CD-08AMMM-RL7AXX	Ø 6.8
CD-09AMMM-RL7AXX	Ø 7.4

<b>UNIT:mm</b>  <b>TOLERANCE</b> ±0.5	TITLE MIDDLE CABLE RBL M CONN M PIN		
	SCALE 3:4	SIZE A4	SHEET 1 OF 2
	REV. C	WC-REV. A.2	①: Inspection item

**Amphenol LTW**  
安費諾亮泰企業股份有限公司

ITEM NO	DRAWN BY	DATE
	Joy	2015-11-10
DWG NO	CHECKED BY	DATE
CD-XXAMMM-RL7AXX	Lu Di	2015-11-10
CUSTOMER	APPROVED BY	DATE
ALTW	Jerry	2015-11-10

THIS DOCUMENT IS SUBJECT TO CHANGE WITHOUT NOTICE. IT IS CONFIDENTIAL AND A PROPERTY OF Amphenol LTW. DISCLOSURE TO THIRD PARTY HAS TO BE AUTHORIZED BY Amphenol LTW.



F

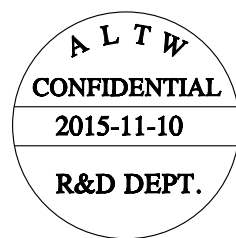
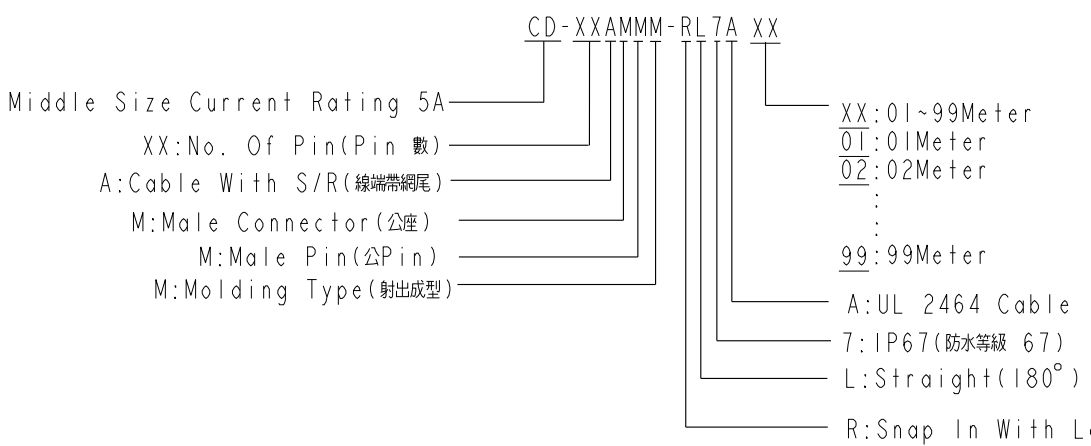
E

D

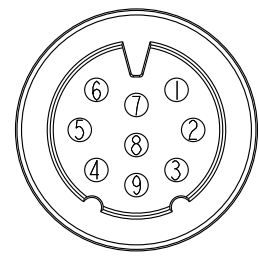
C

B

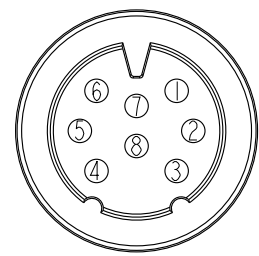
A



9	White	白	9	--	
8	Purple	紫	8	Purple	紫
7	Red	紅	7	Red	紅
6	Green	綠	6	Green	綠
5	Yellow	黃	5	Yellow	黃
4	Blue	藍	4	Blue	藍
3	Orange	橘	3	Orange	橘
2	Brown	棕	2	Brown	棕
1	Black	黑	1	Black	黑

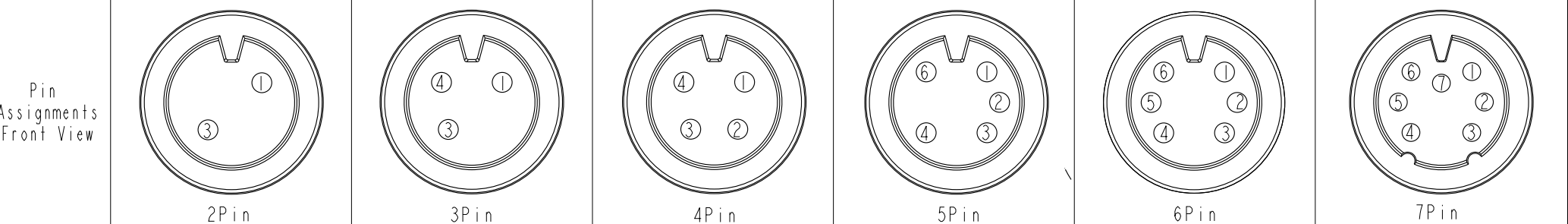


9Pin



8Pin

Pin Out	4	--	4	Blue	藍	4	Blue	藍	6	Green	綠	6	Grey	灰	9	--	
	3	White	3	White	白	3	White	白	5	--		5	Yellow	黃	8	--	
	2	--	2	--		2	Brown	棕	4	Black	黑	4	Green	綠	7	Red	紅
	1	Black	1	Black	黑	1	Black	黑	3	Blue	藍	3	White	白	6	Green	綠
									2	White	白	2	Blue	藍	5	Yellow	黃
									1	Brown	棕	1	Brown	棕	4	Blue	藍
															3	Orange	橘
															2	Brown	棕
															1	Black	黑



UNIT:mm		TITLE MIDDLE CABLE RBL M CONN M PIN		<b>Amphenol LTW</b>		ITEM NO	DRAWN BY Joyy	DATE 2015-11-10
TOLERANCE ±0.5		SCALE 3:4	SIZE A4	SHEET 2 OF 2		DWG NO CD-XXAMMM-RL7AXX	CHECKED BY Lu Di	DATE 2015-11-10
		REV. C	WC-REV. A.2	☉: Inspection item		CUSTOMER ALTW	APPROVED BY Jerry	DATE 2015-11-10

## X-ON Electronics

Largest Supplier of Electrical and Electronic Components

*Click to view similar products for [Sensor Cables / Actuator Cables](#) category:*

*Click to view products by [Amphenol](#) manufacturer:*

Other Similar products are found below :

[60963](#) [60964](#) [M83513/19-F01CP](#) [703000D02F2002](#) [703001D02F0602](#) [703001D02F300](#) [704000D02F120](#) [773032K02F030](#) [802027107404-1](#)  
[802027213811-1](#) [804001A09M150](#) [805001A09M0502](#) [84914-0235](#) [84914-0237](#) [885030A09M020](#) [8R4J30E03C3003](#) [1200651332](#)  
[1200651713](#) [1200660844](#) [1200660845](#) [1200661173](#) [1200680071](#) [1200720053](#) [1200720081](#) [1200720099](#) [1200720217](#) [1200800231](#)  
[1200860125](#) [1200870123](#) [1200980102](#) [1200650267](#) [1200650298](#) [1200660183](#) [1200660782](#) [1200660849](#) [1200661295](#) [1200661297](#)  
[1200661342](#) [1200661343](#) [1200670080](#) [1200670220](#) [1200680331](#) [1200720252](#) [1200730184](#) [1200860344](#) [1200870359](#) [1200870643](#)  
[1200980008](#) [1200980031](#) [1210502211](#)