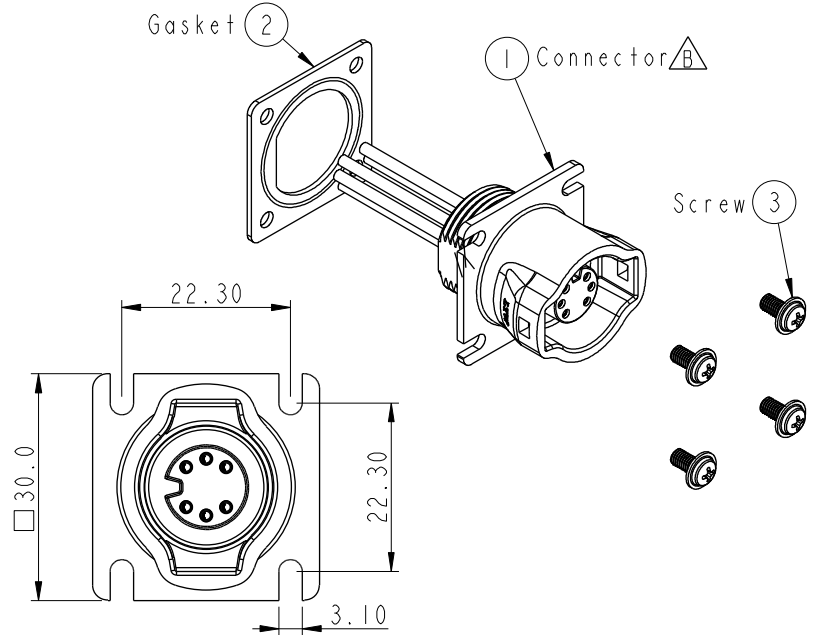
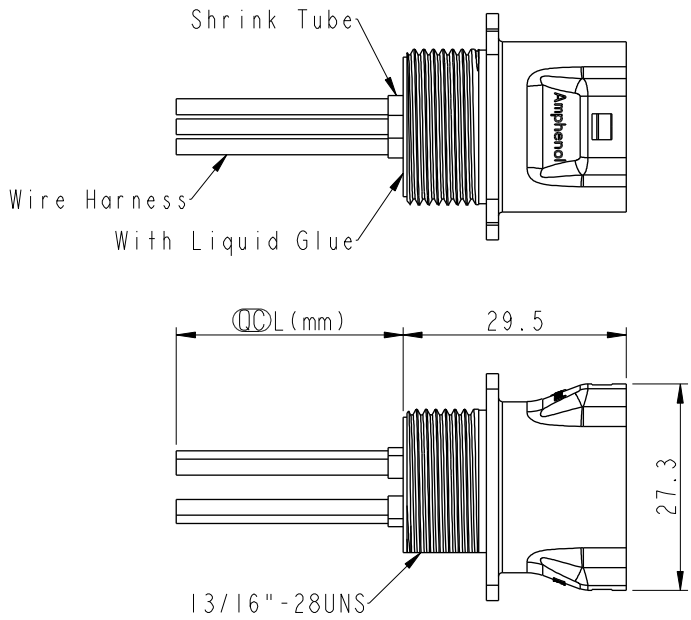


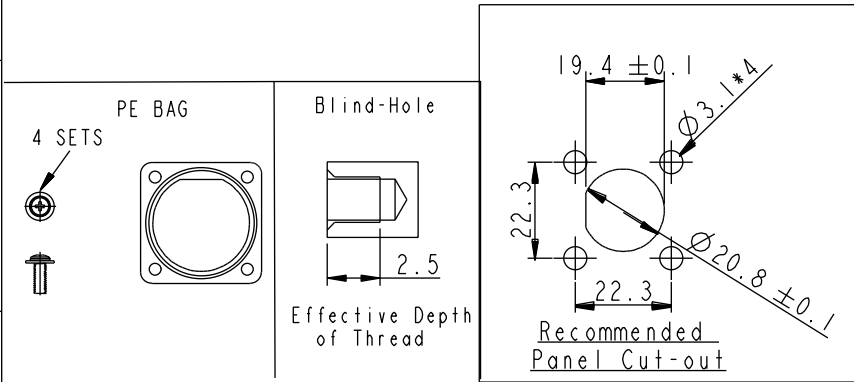
THIS DOCUMENT IS SUBJECT TO CHANGE WITHOUT NOTICE. IT IS CONFIDENTIAL AND A PROPERTY OF Amphenol LTW. DISCLOSURE TO THIRD PARTY HAS TO BE AUTHORIZED BY Amphenol LTW.

REV.	ECN NO.	DATE	SIGN	DESCRIPTION
B	LE315A0049~53	2015/09/22	Joyy	Update The Drawing
C	LEN15B0326~330	2015/11/10	Joyy	Add 7-8 And 9 Pin To The Common Drawing
D	CI91730	2019/10/08	Vicky	Update Code & Wire Tolerance

ALTW
 CONFIDENTIAL
 2019-10-08
 R&D DEPT.



- Note:
- * \varnothing Important Dimension To Check.
 - * Waterproof Rate: IP67
 - * Housing: 2~6Pin M-PPE, Black.
7~9Pin Nylon+GF, Black.
 - * Female Pin: Copper Alloy, Gold Plated.
 - * Gasket: Silicone, Gray.
 - * Wire Harness: UL1430 20#
 - * Blind holes for the screws used M3X0.5mm
 - * Blind Hole Size M3X0.5mm
 - * Screw Torque: 1.5~2kgf.cm
 - * Wire harness Tolerance: 100 \pm 10mm
101~300 \pm 15mm
301~1000 \pm 20mm
 - * Prohibiting the use of place in oils

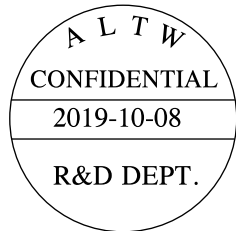


UNIT:mm		TITLE
TOLERANCE	$\pm 0.5mm$	MIDDLE Panel RBL F CONN F PIN
SCALE	1:1	SIZE A4
REV.	D	SHEET 1 OF 2
WC-REV.	A.15	\varnothing Inspection item

Amphenol LTW
 安費諾亮泰企業股份有限公司

ITEM NO	DRAWN BY	DATE
DWG NO	Joyy	2015-11-10
CUSTOMER	CHECKED BY	DATE
ALTW	Lu Di	2015-11-10
	APPROVED BY	DATE
	Jerry	2015-11-10

THIS DOCUMENT IS SUBJECT TO CHANGE WITHOUT NOTICE. IT IS CONFIDENTIAL AND A PROPERTY OF Amphenol LTW. DISCLOSURE TO THIRD PARTY HAS TO BE AUTHORIZED BY Amphenol LTW.

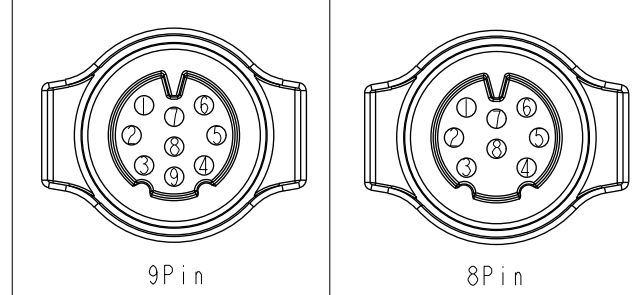


CD-XXRFFC-RS7BXX

Middle Size Current Rating 5A
 XX: No. Of Pin (Pin 數)
 R: Panel Rear Mounting (後鎖嵌面板式)
 F: Female Connector (母座)
 F: Female Pin (母Pin)
 C: Crimp Type (夾線組裝式)

10 : 100mm
 15 : 150mm
 20 : 200mm
 A0 : 1000mm
 Cable Pitch Unit: 50mm
 Wire Length (L): 100~1000mm
 B: UL 1430
 7: IP67 (防水等級 67)
 S: Square (方座)
 R: Snap in With Latch (彈臂卡合式)

9	White 白	9	--
8	Purple 紫	8	Purple 紫
7	Red 紅	7	Red 紅
6	Green 綠	6	Green 綠
5	Yellow 黃	5	Yellow 黃
4	Blue 藍	4	Blue 藍
3	Orange 橘	3	Orange 橘
2	Brown 棕	2	Brown 棕
1	Black 黑	1	Black 黑



Pin Out	4	--	4	Blue 藍	4	Blue 藍	6	Green 綠	6	Grey 灰	9	--
	3	White 白	3	White 白	3	White 白	5	--	5	Yellow 黃	8	--
	2	--	2	--	2	Brown 棕	4	Black 黑	4	Green 綠	7	Red 紅
	1	Black 黑	1	Black 黑	1	Black 黑	3	Blue 藍	3	White 白	6	Green 綠
							2	White 白	2	Blue 藍	5	Yellow 黃
							1	Brown 棕	1	Brown 棕	4	Blue 藍
											3	Orange 橘
											2	Brown 棕
											1	Black 黑

Pin Assignments Front View						
	2Pin	3Pin	4Pin	5Pin	6Pin	7Pin

UNIT:mm		TITLE MIDDLE Panel RBL F CONN F PIN		Amphenol LTW 安費諾亮泰企業股份有限公司		ITEM NO	DRAWN BY Joyy	DATE 2015-11-10
TOLERANCE ±0.5mm		SCALE 1:1	SIZE A4	SHEET 2 OF 2		DWG NO CD-XXRFFC-RS7BXX	CHECKED BY Lu Di	DATE 2015-11-10
		REV. D	WC-REV. A.15	QC: Inspection item		CUSTOMER ALTW	APPROVED BY Jerry	DATE 2015-11-10

X-ON Electronics

Largest Supplier of Electrical and Electronic Components

Click to view similar products for [Sensor Cables / Actuator Cables](#) category:

Click to view products by [Amphenol](#) manufacturer:

Other Similar products are found below :

[60963](#) [60964](#) [M83513/19-F01CP](#) [703000D02F2002](#) [703001D02F0602](#) [703001D02F300](#) [704000D02F120](#) [773032K02F030](#) [802027107404-1](#)
[802027213811-1](#) [804001A09M150](#) [805001A09M0502](#) [84914-0235](#) [84914-0237](#) [885030A09M020](#) [8R4J30E03C3003](#) [1200651332](#)
[1200651713](#) [1200660844](#) [1200660845](#) [1200661173](#) [1200680071](#) [1200720053](#) [1200720081](#) [1200720099](#) [1200720217](#) [1200800231](#)
[1200860125](#) [1200870123](#) [1200980102](#) [1200650267](#) [1200650298](#) [1200660183](#) [1200660782](#) [1200660849](#) [1200661295](#) [1200661297](#)
[1200661342](#) [1200661343](#) [1200670080](#) [1200670220](#) [1200680331](#) [1200720252](#) [1200730184](#) [1200860344](#) [1200870359](#) [1200870643](#)
[1200980008](#) [1200980031](#) [1210502211](#)