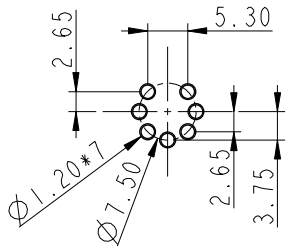
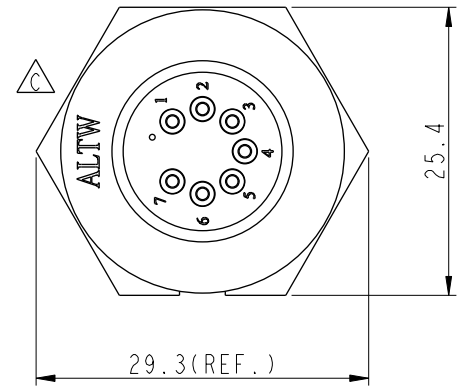
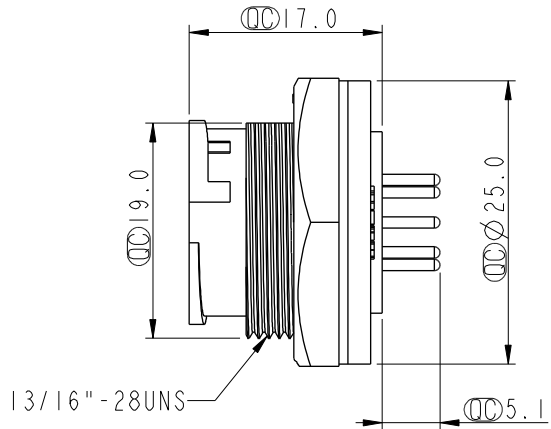
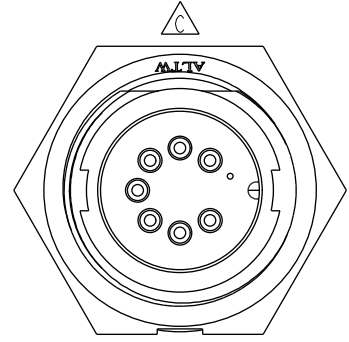


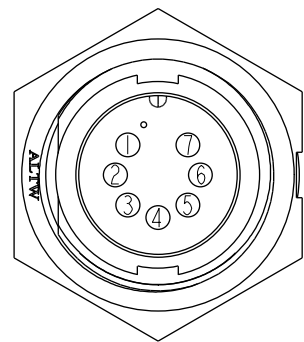
| REV. | ECN NO.    | DATE       | SIGN | DESCRIPTION |
|------|------------|------------|------|-------------|
| B    | LEN-8B0059 | 2008/09/25 | Shin | Add Note    |
| C    | LEN1630600 | 2016/03/18 | Ruru | Change Logo |
| D    | CI90271    | 2019/02/27 | Ruru | Modify Note |



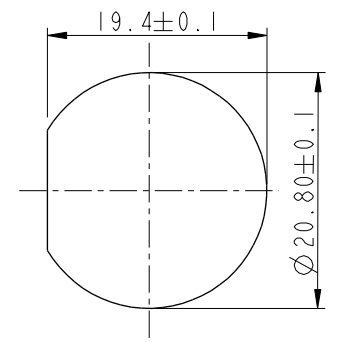
7Pin Male Connector  
Male Pin PCB Layout



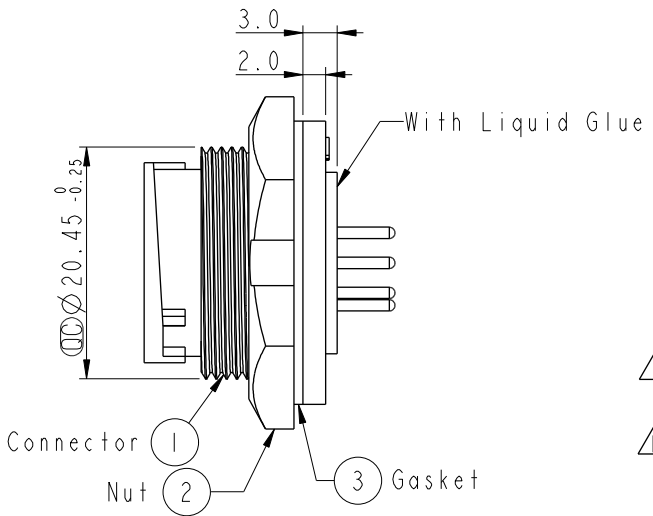
ALTW  
CONFIDENTIAL  
2019-02-27  
R&D DEPT.



Pin Assignments  
Front View



Recommended Panel Cut-Out



Note:  $\triangle D$

- \*  $\text{CC}$  Important Dimension To Check.
- \* Waterproof Rate: IP67, Unmated
- \* Housing: Thermoplastic, Black
- \* Pin: Copper Alloy, Gold Plated
- \* Nut: Thermoplastic, Black
- \* Gasket: Rubber, Black
- $\triangle B$  \* Use with waterproof cap or dust cap  
Panel Thickness Max: 3.0mm
- $\triangle B$  \* Use without waterproof cap or dust cap  
Panel Thickness Max: 4.0mm
- \* Gasket and Nut are packed separately in PE bags.

|            |          |  |
|------------|----------|--|
| UNIT:mm    |          |  |
| TOLERANCE  | .X ±0.25 |  |
| .XX ±0.1   |          |  |
| .XXX ±0.05 |          |  |
| ANGLES     | ±1°      |  |

|   |                |                               |  |
|---|----------------|-------------------------------|--|
| TITLE<br>Middle<br>Panel Lock 7Pin M Conn M Pin |                |                               |  |
| SCALE<br>1:1                                    | SIZE<br>A4     | SHEET<br>1 OF 1               |  |
| REV.<br>D                                       | WC-REV.<br>A.3 | $\text{CC}$ : Inspection item |  |

**Amphenol LTW**  
安費諾亮泰企業股份有限公司

|                              |                    |                    |
|------------------------------|--------------------|--------------------|
| ITEM NO.<br>CD-07PMMP-LC7001 | DRAWN BY<br>Ruru   | DATE<br>2019-02-27 |
| DWG NO.<br>CD-07PMMP-LC7001  | CHECKED BY<br>Rita | DATE<br>2019-02-27 |
| CUSTOMER<br>ALTW             | APPROVED BY<br>Max | DATE<br>2019-02-27 |

THIS DOCUMENT IS SUBJECT TO CHANGE WITHOUT NOTICE. IT IS CONFIDENTIAL AND A PROPERTY OF Amphenol LTW. DISCLOSURE TO THIRD PARTY HAS TO BE AUTHORIZED BY Amphenol LTW.

## X-ON Electronics

Largest Supplier of Electrical and Electronic Components

*Click to view similar products for [Standard Circular Connector](#) category:*

*Click to view products by [Amphenol](#) manufacturer:*

Other Similar products are found below :

[5M2530B10P](#) [600259N006](#) [600273N007](#) [6134-336-13149](#) [6134-337-11149](#) [6134-337-2390](#) [6134-341-17149](#) [6280-4SG-516](#) [6280-7SG-3DC](#)  
[6290](#) [6291A](#) [66200A-10](#) [680-SMG](#) [681-PMG](#) [CXS3102A14S2P](#) [CXS3102A181S](#) [7251-6SG-300](#) [7271-6SG-300](#) [7282-3PG-300-CH3](#) [75-](#)  
[474014-05S](#) [75-474618-01S](#) [75-474618-04P](#) [75-474618-04S](#) [799539-000](#) [MI8-SE](#) [805-005-07NF11-19PC](#) [805-005-07NF15-7PA](#) [8280-4PG-](#)  
[516](#) [8280-7PG-519](#) [8282-5PG-519](#) [836783-1](#) [MP-4102-25P-C](#) [862256-1](#) [864019-2](#) [866857-1](#) [867865-1](#) [PT01SP-14-18P](#) [PT08P-14-5S](#)  
[PTSF06SE-14-12S](#) [120-1833-000](#) [QCM019PC2DC012B](#) [1-2069279-1](#) [121583-0217](#) [121667-0020](#) [129591AU](#) [1000B BULK](#) [RD10A16-19-](#)  
[P6CS051/1](#) [RD10A20-31-P8CS051/1](#) [RD16A14-12-S6CS051/2](#) [1301240290](#) [1301240347](#)