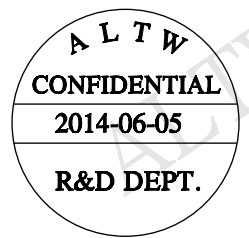
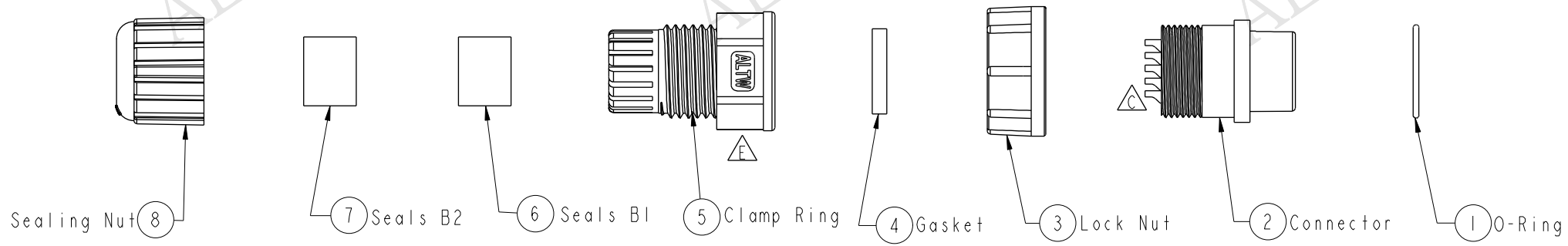
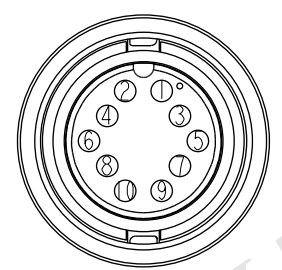


THIS DOCUMENT IS SUBJECT TO CHANGE WITHOUT NOTICE. IT IS CONFIDENTIAL AND A PROPERTY OF Amphenol LTW. DISCLOSURE TO THIRD PARTY HAS TO BE AUTHORIZED BY Amphenol LTW.

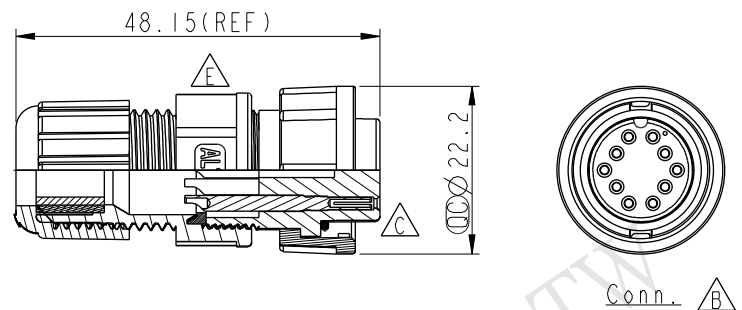
REV.	ECN NO.	DATE	SIGN	DESCRIPTION
C	LEN-0C0140	2010/11/25	IVNA	Change 前導角 View
D	LEN1260008	2012/05/30	Vicky	Modify Note.
E	LEN1460021	2014/06/05	Jason.Yu	Modify Logo



- Note:
- \*  $\varnothing$  Important Dimension.
  - \* Waterproof Rate: IP67
  - \* Housing: Nylon+GF, Black.
  - \* Female Pin: Copper Alloy, Gold Plated.
  - \* O-Ring: EPDM, Black.
  - \* Lock Nut: Nylon+GF, Black.
  - \*  $\triangle$  Gasket: Silicone, Black
  - \*  $\triangle$  Seals: EPDM, Black.
  - \* Clamp Ring: Nylon, Black.
  - \* Sealing Nut: Nylon, Black.
  - \* Seals B1 for Cable OD:  $\varnothing$ 7.6mm~ $\varnothing$ 9.6mm
  - \* Seals B2 for Cable OD:  $\varnothing$ 4.0mm~ $\varnothing$ 7.6mm
  - \* One Set Unassembled in One PE Bag.



Pin Assignments  
Front View



UNIT:mm		
TOLERANCE	.X $\pm 0.25$	.XX $\pm 0.1$
	.XXX $\pm 0.05$	ANGLES $\pm 1^\circ$

TITLE Middle, Assy Lock 10Pin F Conn F Pin			
SCALE 1:1	SIZE A4	SHEET 1 OF 1	
REV. E	WC-REV. A.2	$\varnothing$ : Inspection item	

**Amphenol LTW**  
安費諾亮泰企業股份有限公司

ITEM NO CD-10BFFA-LL7001	DRAWN BY Jason.Yu	DATE 2014-06-05
DWG NO CD-10BFFA-LL7001	CHECKED BY Kris	DATE 2014-06-05
CUSTOMER ALTW	APPROVED BY Wenmao	DATE 2014-06-05

## X-ON Electronics

Largest Supplier of Electrical and Electronic Components

*Click to view similar products for [Standard Circular Connector](#) category:*

*Click to view products by [Amphenol](#) manufacturer:*

Other Similar products are found below :

[5M2530B10P](#) [600259N006](#) [600273N007](#) [6134-336-13149](#) [6134-337-11149](#) [6134-337-2390](#) [6134-341-17149](#) [6280-4SG-516](#) [6280-7SG-3DC](#)  
[6290](#) [6291A](#) [66200A-10](#) [680-SMG](#) [681-PMG](#) [CXS3102A14S2P](#) [CXS3102A181S](#) [7251-6SG-300](#) [7271-6SG-300](#) [7282-3PG-300-CH3](#) [75-](#)  
[474014-05S](#) [75-474618-01S](#) [75-474618-04S](#) [799539-000](#) [MI8-SE](#) [805-005-07NF11-19PC](#) [805-005-07NF15-7PA](#) [8280-4PG-516](#) [8280-7PG-](#)  
[519](#) [8282-5PG-519](#) [836783-1](#) [MP-4102-25P-C](#) [862256-1](#) [864019-2](#) [866857-1](#) [867865-1](#) [PT01SP-14-18P](#) [PT08P-14-5S](#) [PTSF06SE-14-12S](#)  
[120-1833-000](#) [QCM019PC2DC012B](#) [1-2069279-1](#) [121583-0217](#) [121667-0020](#) [129591AU](#) [1000B BULK](#) [RD10A16-19-P6CS051/1](#)  
[RD10A20-31-P8CS051/1](#) [RD16A14-12-S6CS051/2](#) [1301240290](#) [1301240347](#) [1301860202](#)