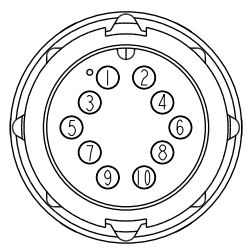
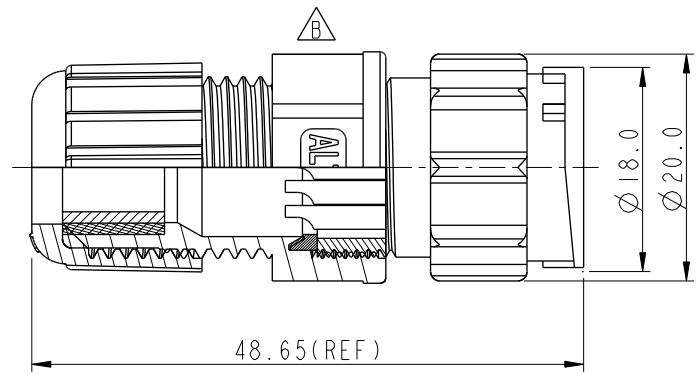
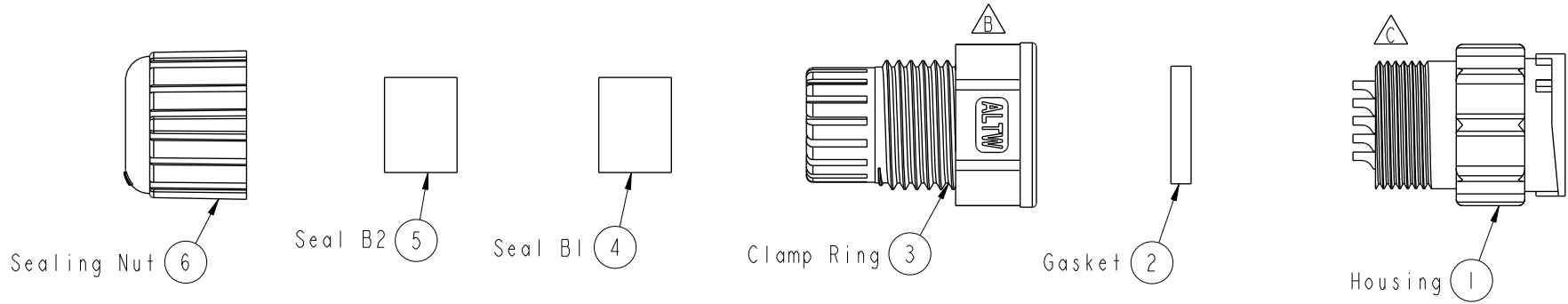


THIS DOCUMENT IS SUBJECT TO CHANGE WITHOUT NOTICE. IT IS CONFIDENTIAL AND A PROPERTY OF AMPHENOL LTW. DISCLOSURE TO THIRD PARTY HAS TO BE AUTHORIZED BY AMPHENOL LTW.

ALTW
 CONFIDENTIAL
 2020-06-17
 R&D DEPT.

REV.	ECN NO.	DATE	SIGN	DESCRIPTION
B	LEN1741322	2017/04/24	Ruru	Change Logo
C	C200915	2020/06/17	Ruru	$\triangle C$ X3



Pin Assignments
Front View 前視圖

- $\triangle C$ $\triangle B$ Note:
- * QC Important Dimension To Check
 - * Waterproof Rate: IP67
 - * Housing: Thermoplastic, Black
 - * Male Pin: Copper Alloy, Gold Plated
 - * Gasket: Rubber, Black
 - * Seals: Rubber, Black
 - * Clamp Ring: Thermoplastic, Black
 - * Sealing Nut: Thermoplastic, Black
 - * Seals B1 for Cable OD: $\varnothing 7.6\text{mm} \sim \varnothing 9.6\text{mm}$
 - * Seals B2 for Cable OD: $\varnothing 4.0\text{mm} \sim \varnothing 7.6\text{mm}$
 - * One Set Unassembled In One PE Bag

UNIT: mm		
TOLERANCE	.X	± 0.25
	.XX	± 0.1
	.XXX	± 0.05
ANGLES		$\pm 1^\circ$

TITLE O CERES, C-5A, 10P, CABLE W/O SR M, M, FI SOLDER, 2LOCK $\triangle C$			
SCALE	SIZE	SHEET	OF
1:1	A4	1	1
REV.	WC-REV.	QC : Inspection item	
C	A.2		

Amphenol LTW

安費諾亮泰企業股份有限公司

ITEM NO.	CD-10BMMA-LL7001	DRAWN BY	Ruru	DATE	2017-04-24
DWG NO.	CD-10BMMA-LL7001	CHECKED BY	Rita	DATE	2017-04-24
CUSTOMER	ALTW	APPROVED BY	Max	DATE	2017-04-24

X-ON Electronics

Largest Supplier of Electrical and Electronic Components

Click to view similar products for [Standard Circular Connector](#) category:

Click to view products by [Amphenol](#) manufacturer:

Other Similar products are found below :

[5M2530B10P](#) [600259N006](#) [600273N007](#) [6134-336-13149](#) [6134-337-11149](#) [6134-337-2390](#) [6134-341-17149](#) [6280-4SG-516](#) [6280-7SG-3DC](#)
[6290](#) [6291A](#) [66200A-10](#) [680-SMG](#) [681-PMG](#) [CXS3102A14S2P](#) [CXS3102A181S](#) [7251-6SG-300](#) [7271-6SG-300](#) [7282-3PG-300-CH3](#) [75-](#)
[474014-05S](#) [75-474618-01S](#) [75-474618-04P](#) [75-474618-04S](#) [799539-000](#) [MI8-SE](#) [805-005-07NF11-19PC](#) [805-005-07NF15-7PA](#) [8280-4PG-](#)
[516](#) [8280-7PG-519](#) [8282-5PG-519](#) [836783-1](#) [MP-4102-25P-C](#) [862256-1](#) [864019-2](#) [866857-1](#) [867865-1](#) [PT01SP-14-18P](#) [PT08P-14-5S](#)
[PTSF06SE-14-12S](#) [120-1833-000](#) [QCM019PC2DC012B](#) [1-2069279-1](#) [121583-0217](#) [121667-0020](#) [129591AU](#) [1000B BULK](#) [RD10A16-19-](#)
[P6CS051/1](#) [RD10A20-31-P8CS051/1](#) [RD16A14-12-S6CS051/2](#) [1301240290](#) [1301240347](#)