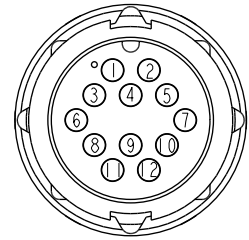
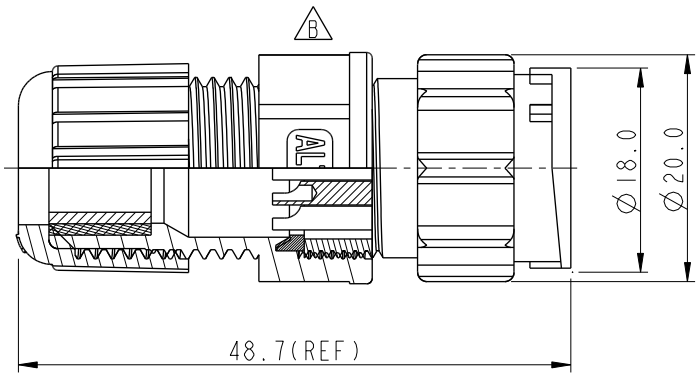
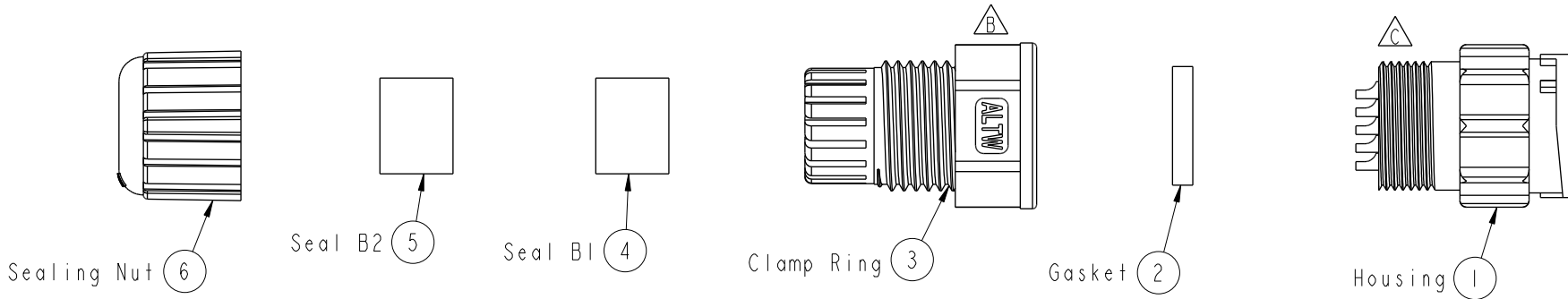




REV.	ECN NO.	DATE	SIGN	DESCRIPTION
B	LEN1741323	2017/04/24	Ruru	Change Logo
C	C200915	2020/06/17	Ruru	△C X3



Pin Assignments
Front View

- △ Note:
- * (Ⓞ) Important Dimension To Check.
 - * Waterproof Rate: IP67
 - * Housing: Thermoplastic, Black
 - * Male Pin: Copper Alloy, Gold Plated
 - * Gasket: Rubber, Black
 - * Clamp Ring: Thermoplastic, Black
 - * Seals1: Rubber, Black
 - * Seals2: Rubber, Black
 - * Sealing Nut: Thermoplastic, Black
 - * Seal B1 for Cable OD: $\varnothing 7.6\text{mm} \sim \varnothing 9.6\text{mm}$
 - * Seal B2 for Cable OD: $\varnothing 4.0\text{mm} \sim \varnothing 7.6\text{mm}$
 - * One Set Unassembled in One PE Bag

UNIT: mm		TITLE O CERES, C-5A, 12P, CABLE W/O SR M, M, FI SOLDER, 2LOCK				ITEM NO	CD-12BMMA-LL7001	DRAWN BY	Ruru	DATE	2017-04-24		
		SCALE	1:1	SIZE		A4	SHEET	1	OF	1	DWG NO	CD-12BMMA-LL7001	CHECKED BY
TOLERANCE	.X	±0.25	REV.	C	WC-REV.	A.2	CUSTOMER	ALTW	APPROVED BY	Max	DATE	2017-04-24	
.XX	±0.1												
.XXX	±0.05												
ANGLES	±1°												

Amphenol LTW
安費諾亮泰企業股份有限公司

THIS DOCUMENT IS SUBJECT TO CHANGE WITHOUT NOTICE. IT IS CONFIDENTIAL AND A PROPERTY OF AMPHENOL LTW. DISCLOSURE TO THIRD PARTY HAS TO BE AUTHORIZED BY AMPHENOL LTW.

X-ON Electronics

Largest Supplier of Electrical and Electronic Components

Click to view similar products for [Standard Circular Connector](#) category:

Click to view products by [Amphenol](#) manufacturer:

Other Similar products are found below :

[5M2530B10P](#) [600259N006](#) [600273N007](#) [6134-336-13149](#) [6134-337-11149](#) [6134-337-2390](#) [6134-341-17149](#) [6280-4SG-516](#) [6280-7SG-3DC](#)
[6290](#) [6291A](#) [66200A-10](#) [680-SMG](#) [681-PMG](#) [CXS3102A14S2P](#) [CXS3102A181S](#) [7251-6SG-300](#) [7271-6SG-300](#) [7282-3PG-300-CH3](#) [75-](#)
[474014-05S](#) [75-474618-01S](#) [75-474618-04P](#) [75-474618-04S](#) [799539-000](#) [MI8-SE](#) [805-005-07NF11-19PC](#) [805-005-07NF15-7PA](#) [8280-4PG-](#)
[516](#) [8280-7PG-519](#) [8282-5PG-519](#) [836783-1](#) [MP-4102-25P-C](#) [862256-1](#) [864019-2](#) [866857-1](#) [867865-1](#) [PT01SP-14-18P](#) [PT08P-14-5S](#)
[PTSF06SE-14-12S](#) [120-1833-000](#) [QCM019PC2DC012B](#) [1-2069279-1](#) [121583-0217](#) [121667-0020](#) [129591AU](#) [1000B BULK](#) [RD10A16-19-](#)
[P6CS051/1](#) [RD10A20-31-P8CS051/1](#) [RD16A14-12-S6CS051/2](#) [1301240290](#) [1301240347](#)