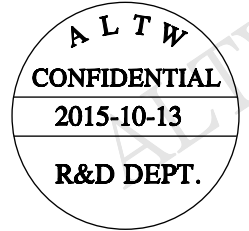
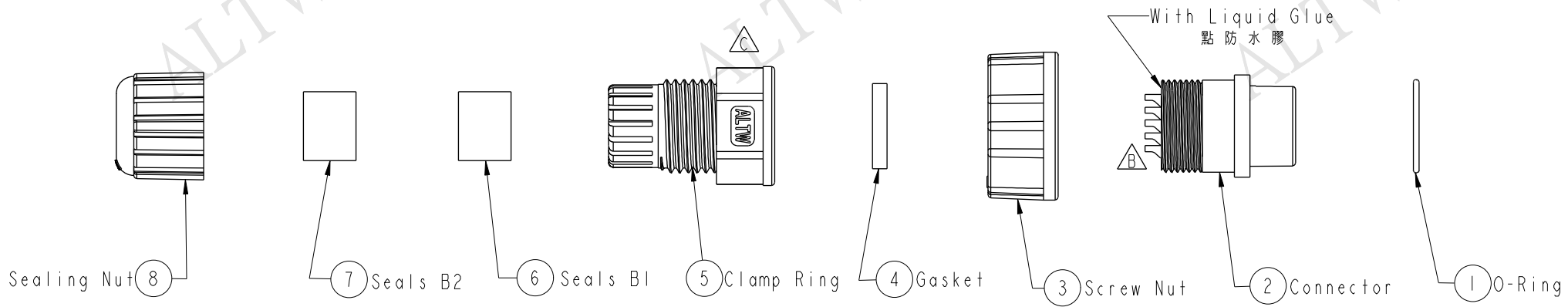
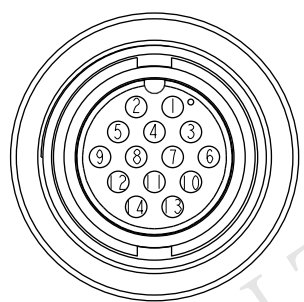


THIS DOCUMENT IS SUBJECT TO CHANGE WITHOUT NOTICE. IT IS CONFIDENTIAL AND A PROPERTY OF Amphenol LTW. DISCLOSURE TO THIRD PARTY HAS TO BE AUTHORIZED BY Amphenol LTW.

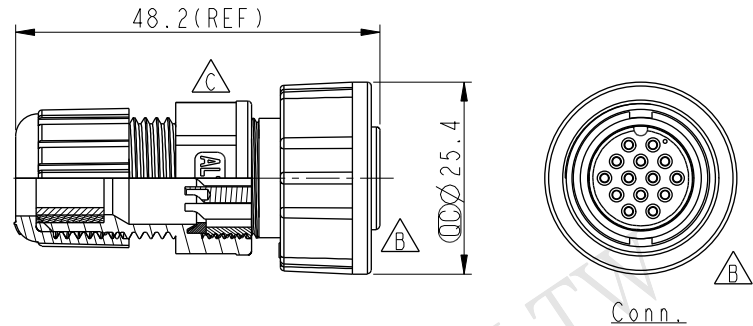
REV.	ECN NO.	DATE	SIGN	DESCRIPTION
B	LEN-0C0145	2010/11/25	IVNA	Change 前導角 View
C	LEN15A0225	2015/10/13	Jason.Yu	Update Logo



- Note:
- \*  $\varnothing$  Important Dimensions.
  - \* Connector: Nylon+GF, Black
  - \* Female Pin: Copper Alloy, Gold Plated.
  - \* O-Ring: EPDM, Black.
  - \* Screw Nut: Nylon+GF, Black
  - \* Gasket: Silicone, Black
  - \* Sealing Nut: Nylon, Black
  - \* Clamp Ring: Nylon, Black.
  - \* Seals: EPDM, Black
  - \* Liquid Glue: Clear
  - \* Seal B1 for Cable OD:  $\varnothing 7.6\text{mm} \sim \varnothing 9.6\text{mm}$   
(防水墊圈B1線徑:  $\varnothing 7.6\text{mm} \sim \varnothing 9.6\text{mm}$ )
  - \* Seal B2 for Cable OD:  $\varnothing 4.0\text{mm} \sim \varnothing 7.6\text{mm}$   
(防水墊圈B2線徑:  $\varnothing 4.0\text{mm} \sim \varnothing 7.6\text{mm}$ )
  - \* One Set Unassembled in One PE Bag  
(每一組未組裝, 放置於一個PE袋, 並封口)



Pin Assignments  
Front View 前視圖



UNIT: mm		
TOLERANCE	.X $\pm 0.25$	.XX $\pm 0.1$
	.XXX $\pm 0.05$	ANGLES $\pm 1^\circ$

TITLE Screw Type Connector For Field Installation 180° 14Pin Female Connector Female Pin(5A)			
SCALE 1:1	SIZE A4	SHEET 1 OF 1	
REV. C	WC-REV. A.2	$\varnothing$ : Inspection item	

**Amphenol LTW**  
安費諾亮泰企業股份有限公司

ITEM NO. CD-14BFFA-SL7001	DRAWN BY Jason.Yu	DATE 2015/10/13
DWG NO. CD-14BFFA-SL7001	CHECKED BY Doreen	DATE 2015/10/13
CUSTOMER ALTW	APPROVED BY Lisa	DATE 2015/10/13

## X-ON Electronics

Largest Supplier of Electrical and Electronic Components

*Click to view similar products for [Standard Circular Connector](#) category:*

*Click to view products by [Amphenol](#) manufacturer:*

Other Similar products are found below :

[5M2530B10P](#) [600259N006](#) [600273N007](#) [6134-336-13149](#) [6134-337-11149](#) [6134-337-2390](#) [6134-341-17149](#) [6280-4SG-516](#) [6280-7SG-3DC](#)  
[6290](#) [6291A](#) [66200A-10](#) [680-SMG](#) [681-PMG](#) [CXS3102A14S2P](#) [CXS3102A181S](#) [7251-6SG-300](#) [7271-6SG-300](#) [7282-3PG-300-CH3](#) [75-](#)  
[474014-05S](#) [75-474618-01S](#) [75-474618-04P](#) [75-474618-04S](#) [799539-000](#) [MI8-SE](#) [805-005-07NF11-19PC](#) [805-005-07NF15-7PA](#) [8280-4PG-](#)  
[516](#) [8280-7PG-519](#) [8282-5PG-519](#) [836783-1](#) [MP-4102-25P-C](#) [862256-1](#) [864019-2](#) [866857-1](#) [867865-1](#) [PT01SP-14-18P](#) [PT08P-14-5S](#)  
[PTSF06SE-14-12S](#) [120-1833-000](#) [QCM019PC2DC012B](#) [1-2069279-1](#) [121583-0217](#) [121667-0020](#) [129591AU](#) [1000B BULK](#) [RD10A16-19-](#)  
[P6CS051/1](#) [RD10A20-31-P8CS051/1](#) [RD16A14-12-S6CS051/2](#) [1301240290](#) [1301240347](#)