

10G-BASE-SR

COPPER/FIBER MEDIA CONVERTERS



Stand-alone dual channel fiber protocol converter good for 1G and 10G Ethernet.

This product converts two channels of 1G or 10G-Base-T copper Ethernet to fiber optic protocols. In the 1G-Base-T protocol, the corresponding fiber protocol is 1G-Base-SX. In the 10G-Base-T protocol, the corresponding fiber protocol is 10G-Base-SR. The product auto-negotiates the fastest speed on the copper side of the interface and then sets the fiber speed. In addition to the functionality, the part comes as a stand-alone item to add to a platform with a 28VDC input power connector.

FEATURES & BENEFITS :

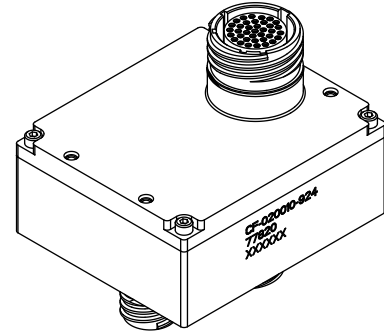
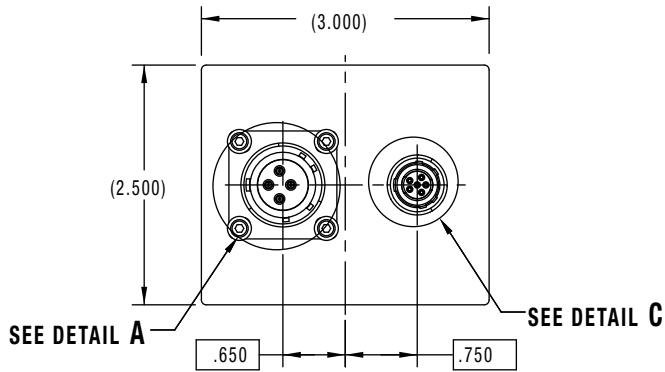
- Copper protocols are auto-negotiated and can be 1G-Base-T or 10G-Base-T compliant to IEEE 802.3an standards
- Fiber protocols can be 1G-Base-SX and 10G-Base-SR compliant to industry standards.
- Fiber optic output power is -3dBm minimum.
- Fiber optic receive sensitivities are -13dBm minimum.
- Power supply is 28V; 5 Watts max
- Stand-alone adapter for integrating systems
- Expandable from 1G to 10G speeds
- Conduction cooled and -40C-+85C temperatures

MARKET APPLICATIONS:

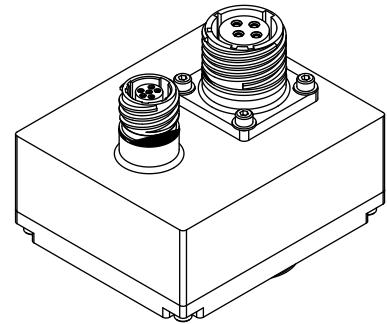
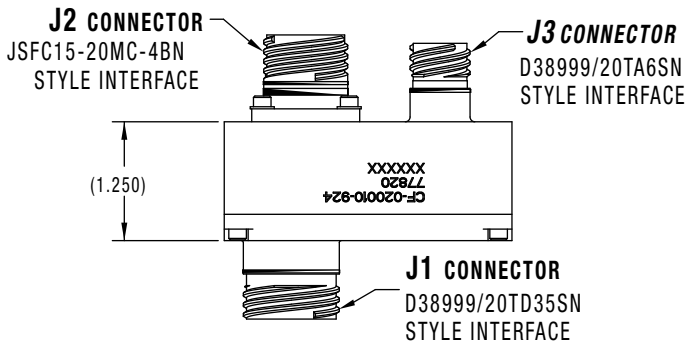
- Harsh environment avionics
- Ground systems
- Naval applications
- Sensor systems

10G-BASE-SR COPPER/FIBER MEDIA CONVERTER

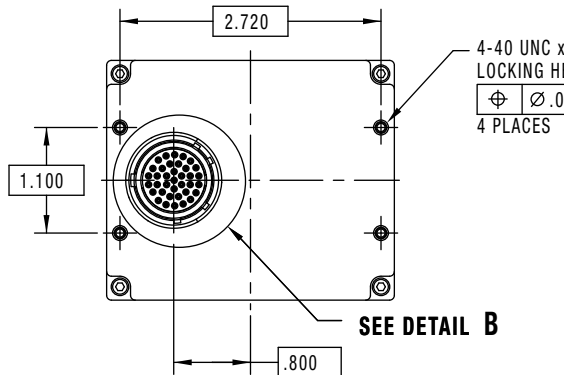
CF-020010-924



J1 ISOMETRIC VIEW

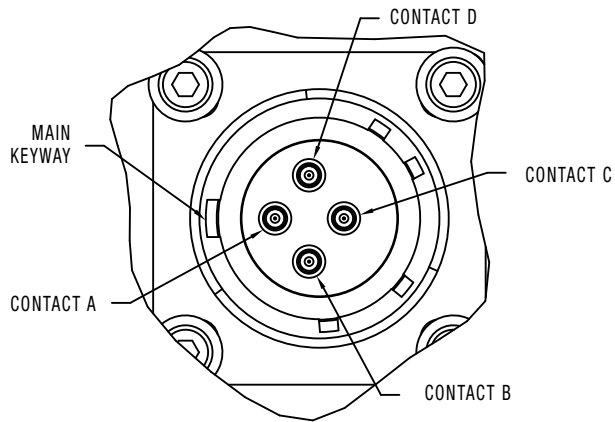


J2 & J3 ISOMETRIC VIEW

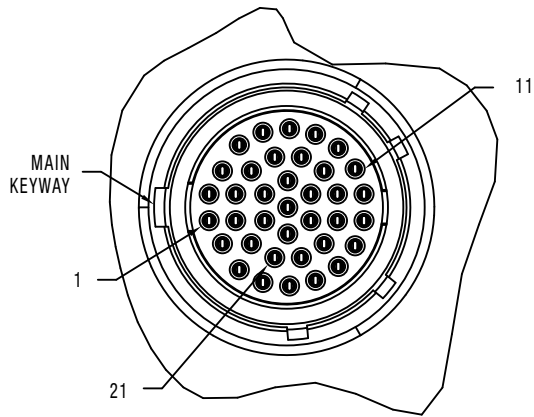


10G-BASE-SR COPPER/FIBER MEDIA CONVERTER

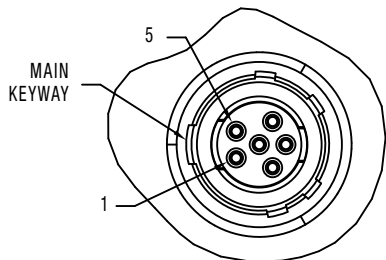
CF-020010-924



DETAIL A
(INSERT ARRANGEMENT L-21813-4)
SCALE 4.000



DETAIL B
(INSERT ARRANGEMENT L-21815-35)
SCALE 4.000



DETAIL C
(INSERT ARRANGEMENT L-21809-6)
SCALE 4.000

J1 D38999/20TD35SN	
PIN ID	Description
1	POWER_RETURN
2	PORT1_10GBASET_DA+
3	PORT1_10GBASET_DA-
4	POWER_RETURN
5	PORT2_10GBASET_DC-
6	PORT2_10GBASET_DC+
7	POWER_RETURN
8	PORT2_10GBASET_DB-
9	PORT2_10GBASET_DB+
10	POWER_RETURN
11	PORT2_10GBASET_DA-
12	PORT2_10GBASET_DA+
13	DEBUG
14	PORT1_10GBASET_DC-
15	PORT1_10GBASET_DC+
16	POWER_RETURN
17	PORT1_10GBASET_DB-
18	PORT1_10GBASET_DB+
19	DEBUG
20	DEBUG
21	POWER_RETURN
22	PORT2_10GBASET_DD+
23	POWER_RETURN
24	POWER_RETURN
25	SPARE
26	SPARE
27	DEBUG
28	PORT1_10GBASET_DD-
29	DEBUG
30	DEBUG
31	DEBUG
32	PORT2_10GBASET_DD-
33	DEBUG
34	DEBUG
35	PORT1_10GBASET_DD+
36	DEBUG
37	POWER_RETURN

J2 JSFC15-20MC-4BN	
PIN ID	Description
A	PORT 1 TX FIBER
B	PORT 1 RX FIBER
C	PORT 2 TX FIBER
D	PORT 2 RX FIBER

J3 D38999/20TA6SN	
PIN ID	Description
1	DC POWER 28VDC
2	SPARE
3	SPARE
4	GROUND
5	SPARE
6	SPARE

Amphenol Aerospace

40-60 Delaware Avenue

Sidney, NY 13838

amphenol-aerospace.com | amphenolmao.com

X-ON Electronics

Largest Supplier of Electrical and Electronic Components

Click to view similar products for [Media Converters](#) category:

Click to view products by [Amphenol](#) manufacturer:

Other Similar products are found below :

[EIS-PS-US](#) [CF-020010-009](#) [EIS-EXTEND-C-EU](#) [DT5002F](#) [WT32-ETH01](#) [USR-K6](#) [WC-PD13F012A](#) [WC-PD30B050G](#) [CF-020011-2N9](#)
[EKI-1751PI-M-AE](#) [EKI-1751PI-R-AE](#) [EKI-2541M-AE](#) [EKI-2541MI-AE](#) [EKI-2541S-AE](#) [EKI-2541SI-AE](#) [EKI-2741FI-BE](#) [EKI-2741FL-EU-](#)
[AE](#) [EKI-2741FL-US-AE](#) [EKI-2741LX-AE](#) [CA-628485-D84](#) [CA-628485-D85](#) [CF-020008-000](#) [CF-020008-001](#) [CF-020010-721](#) [CF-020010-](#)
[97X](#) [CF-020011-1N9](#) [CF-020011-32N](#) [CF-020011-330](#) [CF-901201-097](#) [CTC-55F005-NW](#) [102MCE-SC-15](#) [102MC-SC](#) [850-15526](#) [855-](#)
[10932](#) [856-15410](#) [857-11912](#) [IMC-350I-MMST-PS-A](#) [IMC-350I-SE-PS-A](#) [IMC-350-MMST-PS-A](#) [IMC-350I-M8ST-PS-A](#) [IMC-350I-MM-A](#)
[IMC-350I-SE-A](#) [IMC-350I-M8-A](#) [IMC-370-MM-PS-A](#) [IMC-370I-MM-A](#) [IMC-370I-SST-PS-A](#) [CTM1051KAT](#) [CTM8251KAT](#) [MS8PD](#)
[MS8S2G](#)