

REV. A	SHEET 1 OF 2	DOCUMENT NO. CF-170900-034
REVISIONS M		
LTR	DESCRIPTION	DATE
A	INITIAL RELEASE	01/09/19

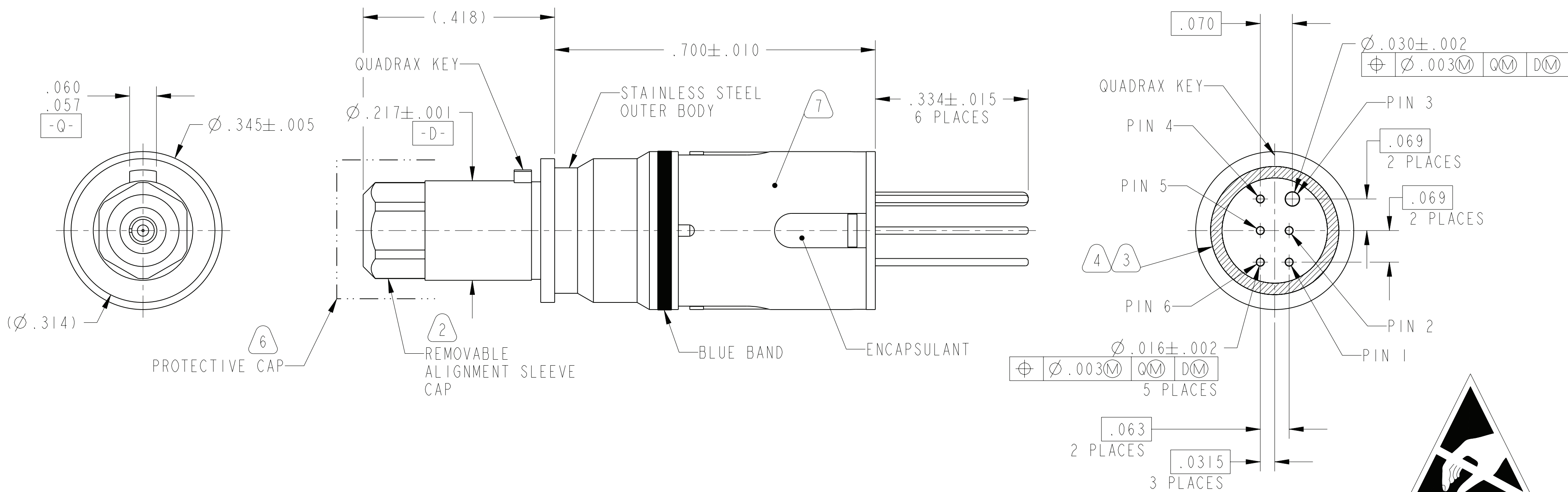
CF-170900-034

SHEET 1 OF 2

REV. A

TOSA CONTACT I/O CHART

PIN ID	FUNCTION
1	DISABLE
2	3.3VDC
3	GND
4	FAULT
5	INPUT-
6	INPUT+



ATTENTION
OBSERVE PRECAUTIONS
FOR HANDLING
ELECTROSTATIC
SENSITIVE
DEVICES

SEE SHEET 2

NOTES:
THE USE OF THIS DOCUMENT IS UNLIMITED.
HOWEVER, DOCUMENTS REFERENCED HEREON
MAY CONTAIN LIMITED RIGHTS DATA.

CF-020012-021X & OTHERS
NEXT ASSEMBLY

PRO/ENGINEER INFORMATION
Pro/e Model Used:
CF-170900-034.ASSEM
Drawing Name:
CF-170900-034

UNLESS OTHERWISE SPECIFIED	SPECIFICATIONS	POS	QTY	PART NUMBER	DESCRIPTION	NOTE
LINEAR DIMENSIONS ARE IN INCHES TOLERANCES: .XXXX = $\pm .0005$ ANGLES = $\pm 2^\circ$.XXX = $\pm .010$.XX = $\pm .03$.X = $\pm .1$ DIM. & TOL. PER ASME Y14.5M; DRM PER MIL-STD-31000; OTHER Amphenol Stds. PER 9-3800 LEGENDS: = FLAG NOTE CALL OUT REFERENCE ONLY	MATERIAL SPEC.	PARTS LIST				
	NONE	AMPHENOL CORPORATION 40-60 DELAWARE AVENUE SIDNEY, N.Y. 13858 TOSA ASSEMBLY SIZE 8 CONTACT, FIBER-QUAD 4.25Gbps 850nm MULTIMODE VCSEL				
PROCESS SPEC.	9-3856-5 9-3895	APPROVALS PREPARED BY: W. LEE ENGINEER IN CHARGE: W. LEE DESIGN MANAGER: J. ROTHROCK DESIGN ACTIVITY GROUP: CI DATE: 09-Jan-19 THIRD ANGLE PROJECTION				
		SIZE C		CAGE CODE 77820	DOCUMENT NO. CF-170900-034	REV. A
		SCALE: 6.0		REF. CF-170900-027	SHEET 1 OF 2	

FORMAT: C-0-E-1

DOCUMENT NO. CF-170900-034

SHEET 1 OF 2

REV. A

DOCUMENT NO. CF-170900-034
 SHEET 1 OF 2
 REV. A
 Eng. PDM Information For Reference Only
 REVISION A
 VERSION 5

CF-170900-034

SHEET 2 OF 2

REV. A

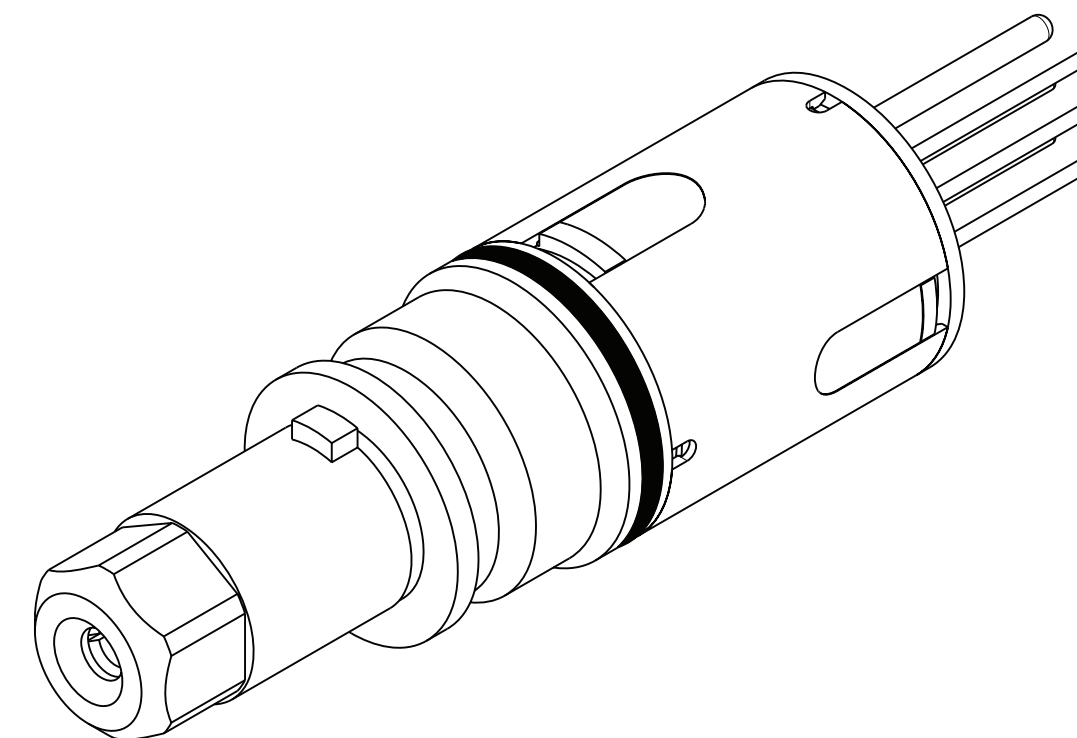
C

B

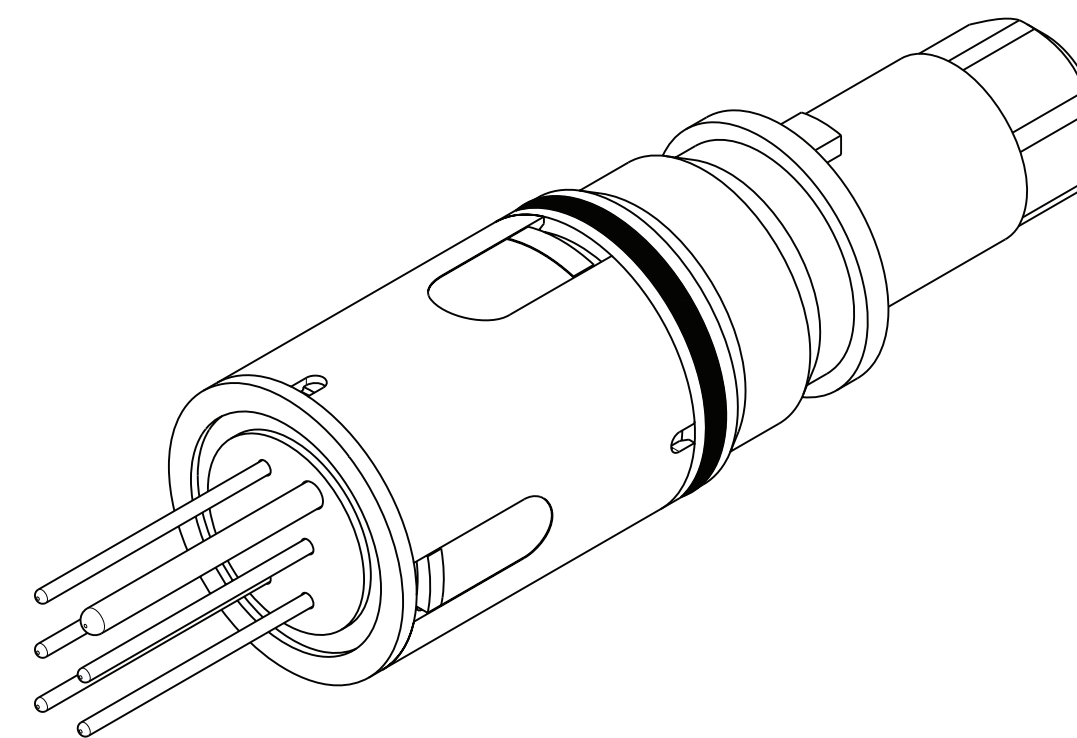
A

INVISIBLE LASER RADIATION
DO NOT VIEW DIRECTLY WITH
OPTICAL INSTRUMENTS
10mW AT 820 - 860nm
CLASS 1M LASER PRODUCT

LASER RADIATION
AVOID EXPOSURE TO BEAM
CLASS 1M PRODUCT



FRONT ISO VIEW
SCALE 5.000



REAR ISO VIEW
SCALE 5.000

- 11. FIBER LINES SHALL BE 850nm SIGNAL COMPATIBLE 50/125 OR 62.5/125 GRADED INDEX MULTIMODE FIBER.
- 10. AVERAGE OPTICAL OUTPUT POWER: >-5dBm
- 9. OPERATING TEMPERATURE: -40°C TO 85°C
STORAGE TEMPERATURE: -40°C TO 85°C
- 8. ASSEMBLY CONTAINS ELECTROSTATIC DISCHARGE (ESD) SENSITIVE COMPONENTS. ASSEMBLY SHALL BE HANDLED, PACKAGED, AND SHIPPED TO MEET REQUIREMENTS OF ANSI/ESD-S-20.20 AND IPC-610.
- 7. STAMP "AMPHENOL", PART NUMBER, DATE CODE & LOT NO.(9-3895) ON INDICATED SURFACE WITH CONTRASTING COLOR PER 9-3856-5.
- 6. PROTECTIVE CAP SHALL BE INSTALLED PRIOR TO SHIPPING.
- 5. PACKAGE PER PRODUCTION PROCESS SHEET.
- 4. BLUE INK STAMP PER 9-3856-5. INK SHALL REMAIN IN INDICATED AREA.
- 3. BLUE RING DENOTES 850nm MULTIMODE TOSA W/ VCSEL LIGHT SOURCE.
- 2. IF ALIGNMENT SLEEVE CAP IS REMOVED FOR CLEANING, TO RE-INSTALL TORQUE TO 22-25 IN-LB (352-400 IN-OZ).
- 1. CONTACT FITS IN STANDARD 38999 SERIES III QUADRAX CAVITIES.

NOTES:

THE USE OF THIS DOCUMENT IS UNLIMITED. HOWEVER, DOCUMENTS REFERENCED HEREON MAY CONTAIN LIMITED RIGHTS DATA.

RELEASED / Jan. 22 2019, 2:15:00 PM

CF-170900-034

SHEET 2 OF 2

REV. A

SIZE C	CAGE CODE 77820	DOCUMENT NO. CF-170900-034	REV. A
SCALE: 6.0		REF: CF-170900-027	SHEET 2 OF 2

CF-170900-034 SHEET 2 OF 2 REV. A Eng. PDM Information For Reference Only REVISION A 5

X-ON Electronics

Largest Supplier of Electrical and Electronic Components

Click to view similar products for [Fibre Optic Transmitters, Receivers, Transceivers](#) category:

Click to view products by [Amphenol](#) manufacturer:

Other Similar products are found below :

[HFBR-1532ETZ](#) [FTLX3813M354](#) [STV.2413-574-00262](#) [TRPRG1VA1C000E2G](#) [TOTX1350\(V,F\)](#) [FTLX3813M349](#) [SCN-1428SC](#) [FWLF-1519-7D-49](#) [TORX1355\(V,F\)](#) [LTK-ST11MB](#) [HFD8003-002/XBA](#) [HFD3020-500-ABA](#) [FTLF1429P3BCVA](#) [S6846](#) [SCN-2638SC](#)
[FTL410QE4N](#) [FTLC9555FEPM](#) [SCN-1570SC](#) [SCN-1601SC](#) [SCN-1338SC](#) [SFPPT-SR3-01](#) [HFD8003-500-XBA](#) [SCN-1383SC](#)
[FTLC9555SEPM](#) [2333569-1](#) [LNK-ST11HB-R6](#) [FTLX6875MCC](#) [FTL4C1QL3L](#) [FTL4C1QE3L](#) [FTL4C1QL3C](#) [1019682](#) [1019683](#) [1019705](#)
[HFBR-1415Z](#) [OPF693-2](#) [FWLF16217D57](#) [AFBR-5803ATQZ](#) [AFBR-5803ATZ](#) [PLR135/T9](#) [TGW-Q14BB-FCQ](#) [AFBR-5803AZ](#) [TQS-Q1LH8-XCA03](#) [TQS-Q1LH8-XCA05](#) [TQS-Q1LH8-XCA10](#) [TQS-Q1LH9-2CA](#) [HFBR-1414Z](#) [HFBR-1527Z](#) [HFBR-1528Z](#) [HFBR-2406Z](#)
[HFBR-2505AZ](#)