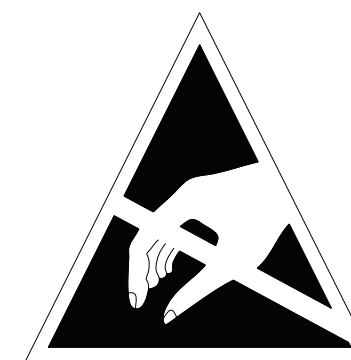
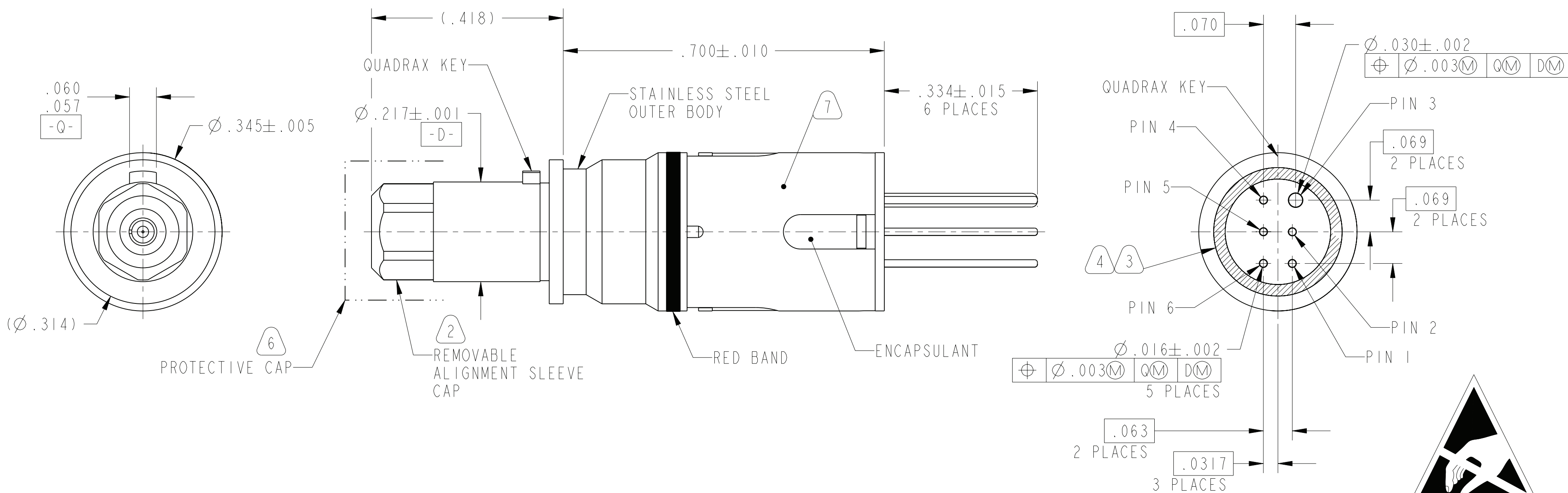


REV. A	SHEETS 1 OF 2	DOCUMENT NO. CF-170900-035
REVISIONS M		
LTR	DESCRIPTION	DATE
A	INITIAL RELEASE	01/14/19

### ROSA CONTACT I/O CHART

PIN ID	FUNCTION
1	GND
2	3.3VDC
3	GND
4	LOS
5	INPUT-
6	INPUT+



**ATTENTION**  
OBSERVE PRECAUTIONS  
FOR HANDLING  
ELECTROSTATIC  
SENSITIVE  
DEVICES

SEE SHEET 2

**NOTES:**

THE USE OF THIS DOCUMENT IS UNLIMITED. HOWEVER, DOCUMENTS REFERENCED HEREON MAY CONTAIN LIMITED RIGHTS DATA.

RELEASED / Jan. 22 2019, 2:16:02 PM

DOCUMENT NO. CF-170900-035

SHEET 1 OF 2

REV. A

CF-020012-021X & OTHERS  
NEXT ASSEMBLY

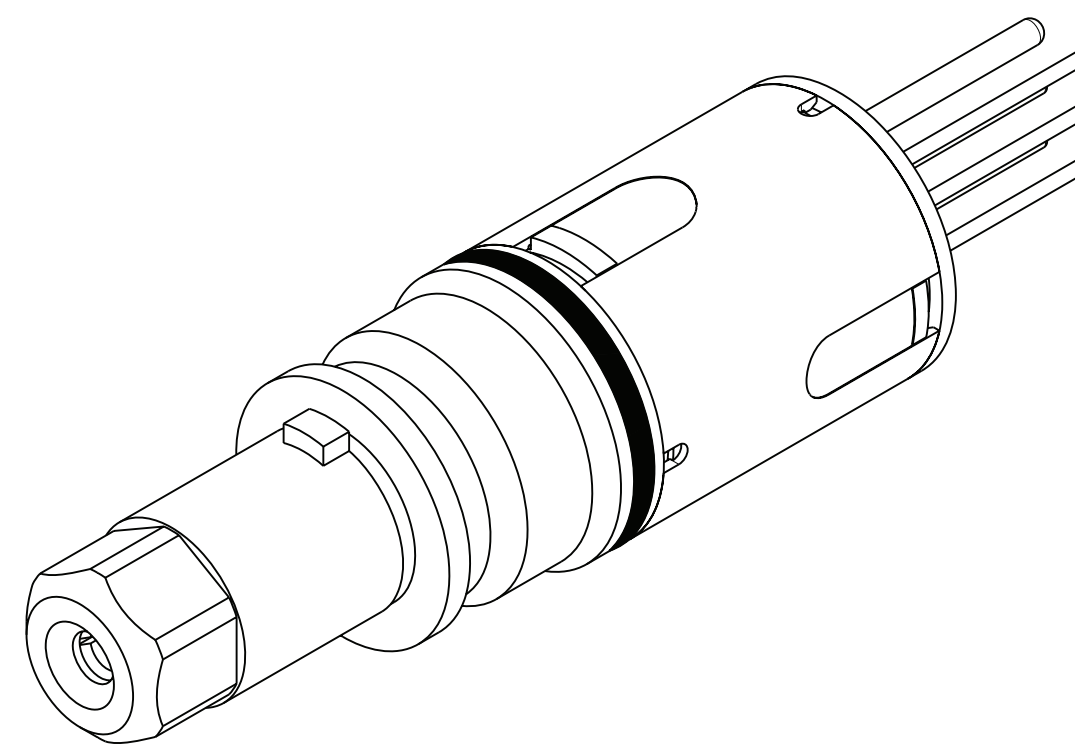
PRO/ENGINEER INFORMATION  
Pro/e Model Used:  
CF-170900-035.ASSEM  
Drawing Name:  
CF-170900-035

UNLESS OTHERWISE SPECIFIED	SPECIFICATIONS	POS	QTY	PART NUMBER	DESCRIPTION	NOTE
LINEAR DIMENSIONS ARE IN INCHES TOLERANCES: .XXXX = ±.0005 ANGLES= ±2° .XXX = ±.010 .XX = ±.03 .X = ±.1 DIM. & TOL. PER ASME Y14.5M; DRM PER MIL-STD-31000; OTHER Amphenol Stds. PER 9-3800 LEGENDS: =FLAG NOTE CALL OUT REFERENCE ONLY	MATERIAL SPEC.	PARTS LIST				
	NONE	<b>AMPHENOL CORPORATION</b> 40-60 DELAWARE AVENUE SIDNEY, N.Y. 13858 <b>ROSA ASSEMBLY</b> <b>SIZE 8 CONTACT, FIBER-QUAD</b> <b>4.25Gbps 850nm MULTIMODE</b>				
PROCESS SPEC.	9-3856-5 9-3895	APPROVALS PREPARED BY W. LEE ENGINEER IN CHARGE W. LEE DESIGN MANAGER J. ROTHROCK DESIGN ACTIVITY GROUP CI DATE 14-Jan-19 THIRD ANGLE PROJECTION				
		SIZE C	CAGE CODE 77820	DOCUMENT NO. CF-170900-035	REV. A	
		SCALE: 6.0	REF. CF-170900-027	SHEET 1 OF 2		

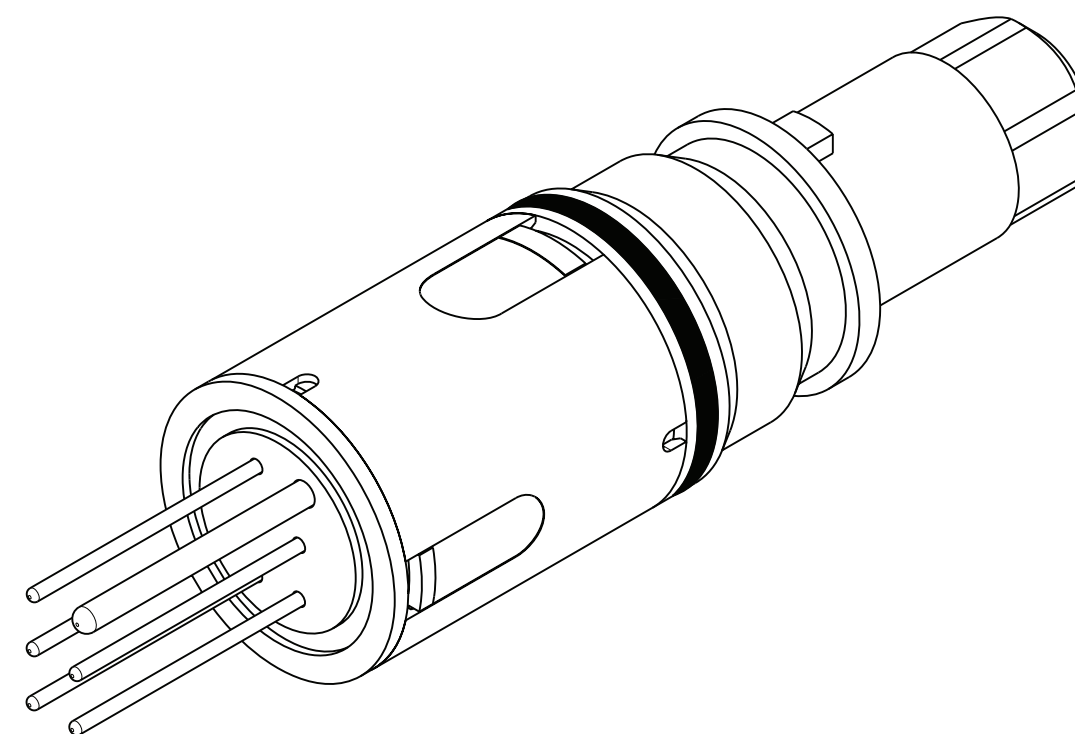
CF-170900-035

SHEET 2 OF 2

REV. A



**FRONT ISO VIEW**  
SCALE 5.000



**REAR ISO VIEW**  
SCALE 5.000

- 11. FIBER LINES SHALL BE 850nm SIGNAL COMPATIBLE 50/125 OR 62.5/125 GRADED INDEX MULTIMODE FIBER.
- 10. OPTICAL RECEIVE SENSITIVITY: <-17dBm
- 9. OPERATING TEMPERATURE: -40°C TO 85°C  
STORAGE TEMPERATURE: -40°C TO 85°C
- 8. ASSEMBLY CONTAINS ELECTROSTATIC DISCHARGE (ESD) SENSITIVE COMPONENTS. ASSEMBLY SHALL BE HANDLED, PACKAGED, AND SHIPPED TO MEET REQUIREMENTS OF ANSI/ESD-S-20.20 AND IPC-610.
- 7. STAMP "AMPHENOL", PART NUMBER, DATE CODE & LOT NO.(9-3895) ON INDICATED SURFACE WITH CONTRASTING COLOR PER 9-3856-5.
- 6. PROTECTIVE CAP SHALL BE INSTALLED PRIOR TO SHIPPING.
- 5. PACKAGE PER PRODUCTION PROCESS SHEET.
- 4. RED INK STAMP PER 9-3856-5. INK SHALL REMAIN IN INDICATED AREA.
- 3. RED RING DENOTES 850nm MULTIMODE ROSA.
- 2. IF ALIGNMENT SLEEVE CAP IS REMOVED FOR CLEANING, TO RE-INSTALL TORQUE TO 22-25 IN-LB (352-400 IN-OZ).
- 1. CONTACT FITS IN STANDARD 38999 SERIES III QUADRAX CAVITIES.

**NOTES:**

THE USE OF THIS DOCUMENT IS UNLIMITED. HOWEVER, DOCUMENTS REFERENCED HEREON MAY CONTAIN LIMITED RIGHTS DATA.

RELEASED / Jan. 22 2019, 2:16:02 PM

DOCUMENT NO. CF-170900-035	SHEET 2 OF 2	REV. A
----------------------------	--------------	--------

SIZE C	CAGE CODE 77820	DOCUMENT NO. CF-170900-035	REV. A
SCALE: 6.0	REF: CF-170900-027	SHEET 2 OF 2	

Eng. PDM Information For Reference Only

REV. A SHEET 2 OF 2

DOCUMENT NO. CF-170900-035

FORMAT: C-0-U-E-1

## X-ON Electronics

Largest Supplier of Electrical and Electronic Components

*Click to view similar products for [Fibre Optic Transmitters, Receivers, Transceivers](#) category:*

*Click to view products by [Amphenol](#) manufacturer:*

Other Similar products are found below :

[HFBR-1532ETZ](#) [FTLX3813M354](#) [STV.2413-574-00262](#) [TRPRG1VA1C000E2G](#) [TOTX1350\(V,F\)](#) [FTLX3813M349](#) [SCN-1428SC](#) [FWLF-1519-7D-49](#) [TORX1355\(V,F\)](#) [LTK-ST11MB](#) [HFD8003-002/XBA](#) [HFD3020-500-ABA](#) [FTLF1429P3BCVA](#) [S6846](#) [SCN-2638SC](#) [FTL410QE4N](#) [FTLC9555FEPM](#) [SCN-1570SC](#) [SCN-1601SC](#) [SCN-1338SC](#) [SFPPT-SR3-01](#) [HFD8003-500-XBA](#) [SCN-1383SC](#) [FTLC9555SEPM](#) [2333569-1](#) [LNK-ST11HB-R6](#) [FTLX6875MCC](#) [FTL4C1QL3L](#) [FTL4C1QE3L](#) [FTL4C1QL3C](#) [1019682](#) [1019683](#) [1019705](#) [HFBR-1415Z](#) [OPF693-2](#) [FWLF16217D57](#) [AFBR-5803ATQZ](#) [AFBR-5803ATZ](#) [PLR135/T9](#) [TGW-Q14BB-FCQ](#) [AFBR-5803AZ](#) [TQS-Q1LH8-XCA03](#) [TQS-Q1LH8-XCA05](#) [TQS-Q1LH8-XCA10](#) [TQS-Q1LH9-2CA](#) [HFBR-1414Z](#) [HFBR-1527Z](#) [HFBR-1528Z](#) [HFBR-2406Z](#) [HFBR-2505AZ](#)