

D		SHEET 1 OF 2	CF-198143-CD
REVISIONS			
LTR	DESCRIPTION	DATE	
B	INITIAL RELEASE		
C	(CL11) REM'D MIL DESIG. NUMBERS; SEE ECN: A8191	JM	9/17/09
D	(CL 11) SEE ECN B3959	----	----

CF-198143-CD

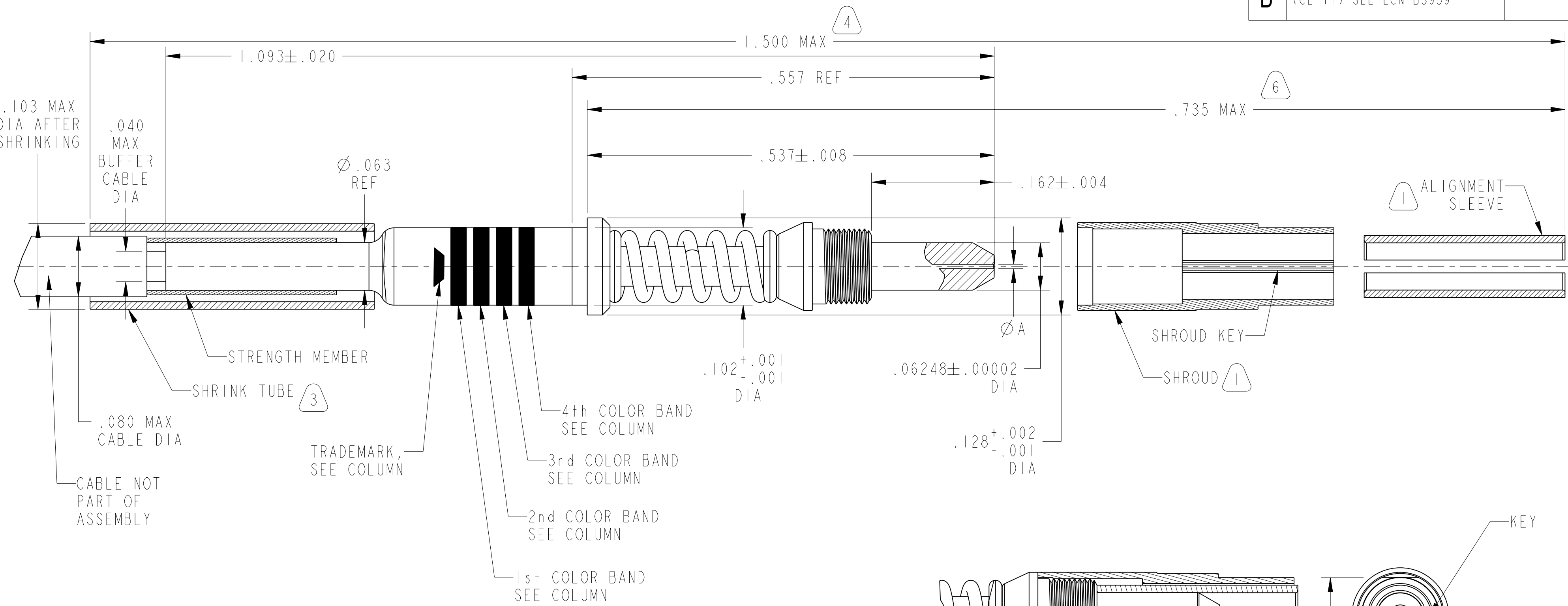
SHEET 1 OF 2

REV. D

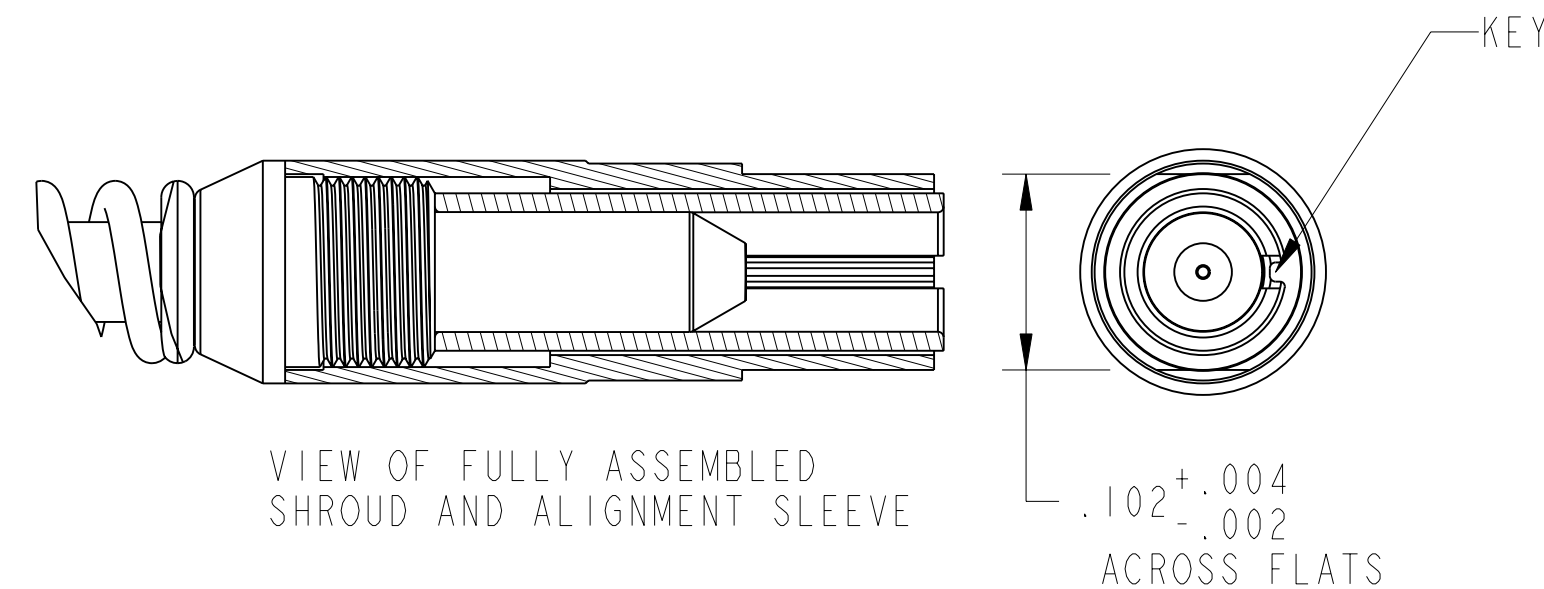
C

B

A



- 6. INDICATED DIMENSION WHEN SHROUD AND ALIGNMENT SLEEVE ARE FULLY ASSEMBLED.
- 5. FOR CABLE TERMINATION PROCEDURE REF. CF-9000- 4, CUSTOMER INSTALLATION INSTRUCTIONS.
- 4. INDICATED DIMENSION WHEN SHROUD, ALIGNMENT SLEEVE AND SHRINK TUBE ARE FULLY ASSEMBLED. NOTE: THREAD SHROUD ON, THEN ALIGN SLOT IN ALIGNMENT SLEEVE WITH KEY IN SHROUD, THEN PUSH ALIGNMENT SLEEVE ON UNTIL BOTTOMED ON TERMINUS.
- 3. SHRINK TUBE SHIPPED UNASSEMBLED.
- 2. SEE SHEET 2 FOR SPECIFIC PART NUMBER ORDERING INFORMATION.
EXAMPLE:
FIBER DIA: 127 MICRONS/TERMINUS P/N: CF-198143-010.
- 1. ALIGNMENT SLEEVE & SHROUD SHIPPED UNASSEMBLED.



NOTES:

THE USE OF THIS DOCUMENT IS UNLIMITED. HOWEVER, DOCUMENTS REFERENCED HEREON MAY CONTAIN LIMITED RIGHTS DATA.

N/A
NEXT ASSEMBLY

PRO/ENGINEER INFORMATION
 Pro/e Model Used:
 CF-198143-CD.XPLD.ASSEM
 Drawing Name:
 CF-198143-CD

UNLESS OTHERWISE SPECIFIED	SPECIFICATIONS	POS	QTY	PART NUMBER	DESCRIPTION	NOTE
LINEAR DIMENSIONS ARE IN INCHES TOLERANCES: .XXXX = ±.0005 ANGLES= ±2° .XXX = ±.010 .XX = ±.03 .X = ±.1 DIM. & TOL. PER ASME Y14.5M; DRM PER MIL-DTL-31000; OTHER Amphenol Stds. PER 9-3800 LEGENDS: =FLAG NOTE CALL OUT REFERENCE ONLY	MATERIAL SPEC.	APPROVALS		PARTS LIST		
	N/A	PREPARED BY JHEATH	DATE 08-Mar-06	AMPHENOL CORPORATION 40-60 DELAWARE AVENUE SIDNEY, NY 13858 SOCKET TERMINUS, FIBER OPTIC, EPOXY PC POLISH, SIZE 16 CUSTOMER OUTLINE DRAWING		
PROCESS SPEC.	N/A	DESIGN MANAGER HJOHNSON	DESIGN ACTIVITY GROUP MIL-AERO DEVELOP	SIZE C	CAGE CODE 77820	DOCUMENT NO. CF-198143-CD REV. D SCALE: 10:0 REF. CF-198035-CD SHEET 1 OF 2

CF-198143-CD

SHEET 1 OF 2

REV. D

CF-198143-CD SHEET 1 OF 2 REV. D

CF-198143-CD

SHEET 2 OF 2

D REV

C

B

A

Table with columns: PART NUMBER, SOC TERMINUS SUB-ASSEMBLY, A DIA INCHES REF, MICRONS, COLOR BANDS (1st, 2nd, 3rd, 4th), MILITARY DESIGNATION NUMBER, TRADEMARK (DIRECTION OPTIONAL), and repeated columns for items 2-5.

NOTES:

THE USE OF THIS DOCUMENT IS UNLIMITED. HOWEVER, DOCUMENTS REFERENCED HEREON MAY CONTAIN LIMITED RIGHTS DATA.

INTENDED FOR SINGLEMODE USE

Table with 3 columns: PART NUMBER, SOC TERMINUS SUB-ASSEMBLY, A DIA INCHES REF, MICRONS, and repeated columns for items 2-5.

FORMAT: C-U-E-1

D

C

01

D REV

Eng PDM Information For Reference Only

D REV

SHEET 2 OF 2

CF-198143-CD

X-ON Electronics

Largest Supplier of Electrical and Electronic Components

Click to view similar products for [Circular MIL Spec Contacts](#) category:

Click to view products by [Amphenol](#) manufacturer:

Other Similar products are found below :

[006-1189-20](#) [71-VEAM](#) [809-023](#) [809-111](#) [811393-000](#) [850-014](#) [97-45-1418P-5\(920\)](#) [97-45-1418S-4](#) [D-602-0106CS076](#) [AIC12-14P](#)
[AIC16-16PG](#) [AIC8-12P](#) [AIC8-8SG](#) [AIC8-8SRAD](#) [1495044-1](#) [BACC47CP2T](#) [BACC47CP3S](#) [BACC47DP4](#) [BACC47GC1A](#) [BACC47GN1](#)
[16968/2C](#) [173-900245-91](#) [241611N001](#) [2560-220-2031](#) [27915-38T9](#) [27964-38T112](#) [2M809-118](#) [97-67-36-20](#) [AIC12-16P](#) [AIC16-14SG](#)
[AIC16-18PG](#) [AIC16-18S](#) [AIC16-20PG](#) [AIC4-4PG](#) [CE102S-18](#) [M39029/30-221](#) [M39029/77-430](#) [416-2020-088I](#) [MDM-21SH003B-F222](#) [48-](#)
[100-5014P-02](#) [BA-4020-50LD](#) [BA-4120-50LD](#) [BACC47CN2](#) [BACC47GC3A](#) [BACC47GD3A](#) [BACC47GM1](#) [52G137 REV A](#) [CB2-18-21PS](#)
[D-602-1116CS2727](#) [D-602-1117CS2727](#)