

APeX Galley Connector, Rectangular



Interchangeable and Intermateable
Overmold Technology
Blind -Mate Connection
ARINC 810 Conformity



Intermateable and interchangeable with other ARINC 810 galley connectors, Amphenol Pcd's APeX Galley Connector, Rectangular is a reliable, robust connector that uses overmold technology to set it apart from the rest.

Benefits at a Glance

Intermateable and Interchangeable

Ability to mate with other ARINC 810 galley connectors in the market

Overmold Technology

Enables exceptional sealing that improves safety and reliability

Blind-Mate Connection

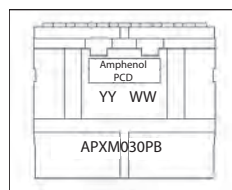
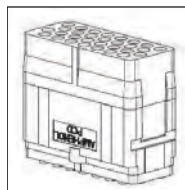
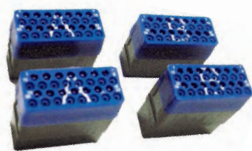
Guide pin feature enables quick and simple mating

Intuitive and Ergonomic

Smooth, low insertion force to mate connector

Other APeX Rectangular Connectors

30-pin insert, Size 20



Part Number	Contact PN
APXM030PA/B	none
APXM130PA/B	CNP820100
APXM030SA/B	none
APXM130SA/B	CNS820100

Contact us for more information

Other High Performance Products



APeX Galley Connector, Circular

- Intermateable/Interchangeable
- Blind-mate connection
- Highly Reliable and Durable



Cable Solutions

- Molded Cables for Tactical Digital Communications
- Custom Molded Cables for Harsh Environments
- PRC 117F/G and PRC -152 Radio / Data Cables
- Mil-22992 Class L Heavy Duty Power Cables
- Soldier Accessories Connectors and Cables

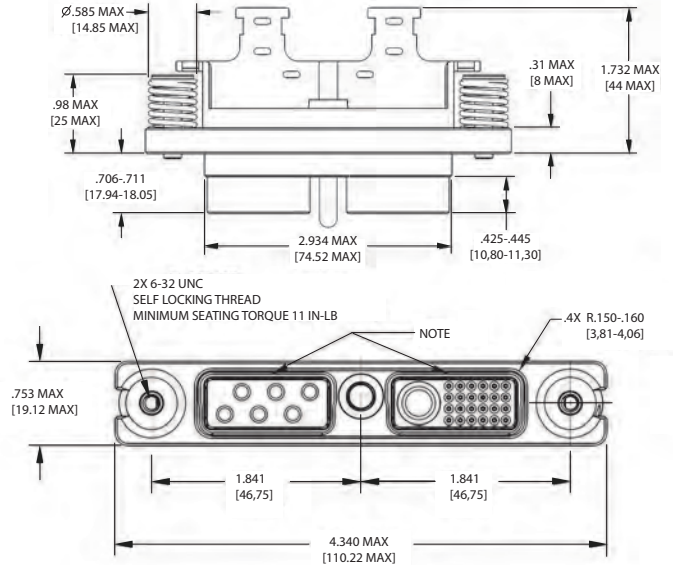
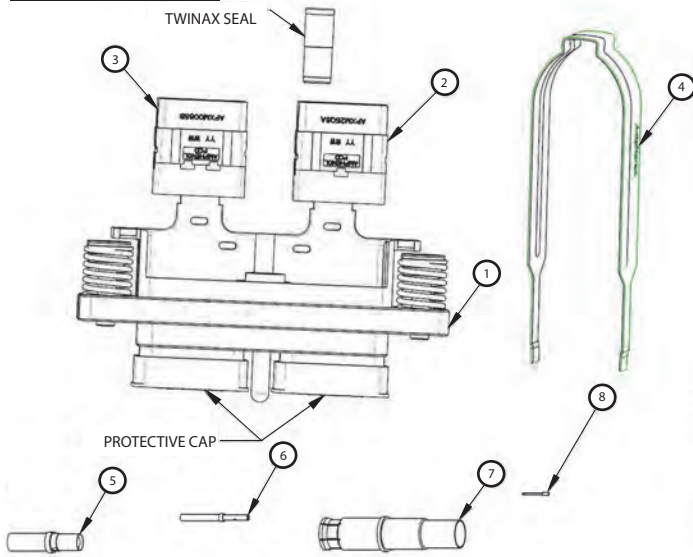


High Performance P-Clamps

- PEEK polymer
- Non-corrosive & Non-conductive
- Overmolded silicone cushions
- Lightweight

72 Cherry Hill Drive
Beverly, MA 01915 USA
info@amphenolpcd.com
978-624-3400

Plug: APX2A801



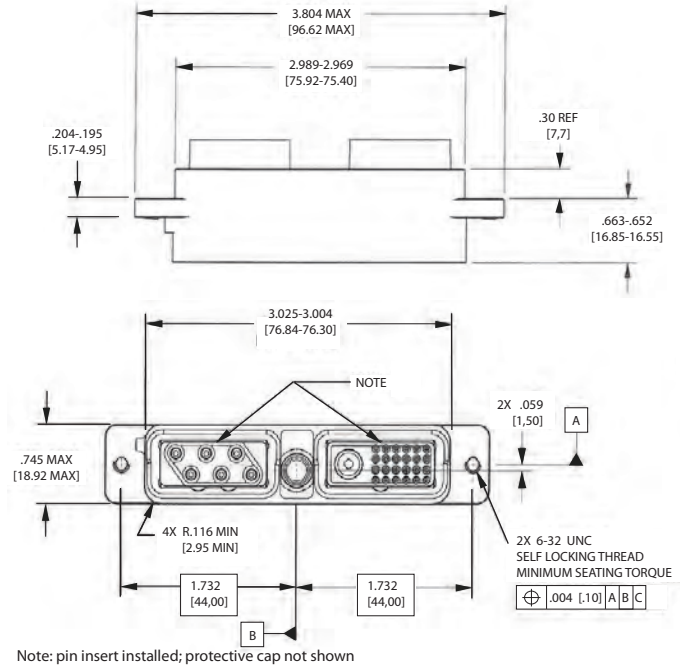
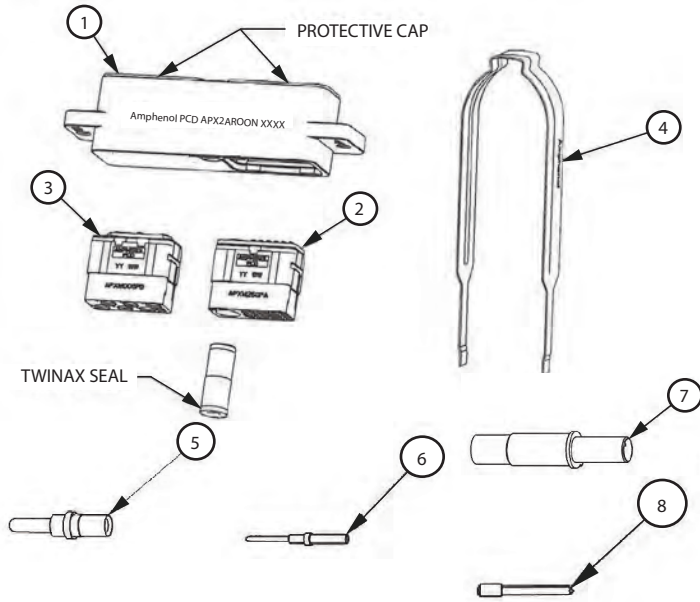
Note: socket insert installed; protective cap not shown

Item	Part	Material
1 Plug shell assembly	Strain relief	PEI thermoplastic 40% carbon fiber
	Retention nut	Stainless steel per AISI 316, passivated
	Male fastener body	Stainless steel per AISI 316, passivated
	Insert retention clip	Copper alloy per ASTM B194
	Float-mounted eyelet	Stainless steel per AISI 316, passivated
	Float-mounted spring	Stainless steel per AISI 302, passivated
	Shell	Aluminum allow 6061T651 per AMS-QQ-A-250/11, electroless nickel per Mil-C-26074 0.001 inchmin
	Protective cap	EPDM elastomer per ASTM D3568
2 & 3 25 socket insert with twinax seal 6 socket insert	Housing	Polyetherimide thermoplastic per ASTM D5205
	Retention clips	PEEK thermoplastic per Mil-P-46183
	Grommet	Silicone elastomer per ASTM-D-2000
	Twinax seal housing	Polyetherimide thermoplastic per ASTM D5205
	Twinax seal grommet	Silicone elastomer per A-A-59588A class 3B
4 Insertion/Removal tool	Tool	Stainless steel per AISI 301
5 & 6 Socket contact size 12 Socket contact size 22	Body	Copper alloy per ASTM B196, gold plate per AMS2422, 50 microinches min. over nickel plate, 40 to 200 microinches per QQ-N-290
	Sleeve	Stainless steel per AISI 305 per ASTM A 580, passivated
7 Socket twinax contact size 8	Outer and Inner contacts	Copper alloy per ASTM B196, gold plated per Mil-G-45204, 50 microinch min. over nickel plate per QQ-N-290, 50 microinch min
	Shield ferrule	Brass per ASTM B453, gold plated per Mil-G-45204, 50 microinch min. over nickel plate per QQ-N-290, 50 microinch min
	Front insulator and spacer insulator	TFE thermoplastic per AMS 3651
8 Sealing plug	Sealing plug	PTFE thermoplastic per ASTM -D1710

Plug Part Numbers and Descriptions

Item	Amphenol PCD P/N	Description	Amphenol PCD KIT P/N				
			APX2A801K	APX2A801C	APX2A801G	APX2A801S1	APX2A801S2
			QTY / ASSY	QTY / ASSY	QTY / ASSY	QTY / ASSY	QTY / ASSY
1	APX2BLOON	Plug Shell Assembly with Protective Cap	1	1	1	1	1
2	APXM25QSA	25 Socket Insert Polarization A with Twinax Seal	1	1	1	1	0
3	APXM006SB	6 Socket Insert Polarization B	1	1	1	1	1
4	APXIN0001	Blank Insert	0	0	0	0	1
5	CNS812100	APeX Socket Contact Size 12	0	6	6	6	6
6	CNS822100	APeX Socket Contact Size 22	0	15	15	0	0
7	CNS882100	APeX Socket Twinax Contact Size 8	0	1	0	0	0
8	CNA032401	Sealing Plug Size 22	0	9	9	0	0

Receptacle: APX2B801



Item	Part	Material
1 Receptacle shell assembly	Shell	Aluminum alloy 6061T651 per AMS-QQ-A-250/11 electroless nickel per MIL-C-26074 .001 inch min
	Retention nut	Stainless steel per AISI 316, passivated
	Guide sleeve	Stainless steel per AISI 316, passivated
	Insert retention clip	Copper alloy per ASTM B194
	Protective cap	EPDM elastomer per ASTM D3568
2 & 3 25 pin insert with twinax seal 6 pin insert	Housing	Polyetherimide thermoplastic per ASTM D5205
	Retention clips	Peek thermoplastic per MIL-P-46183
	Grommet	Silicone elastomer per ASTM-D-2000
	Twinax seal housing	Polyetherimide thermoplastic per ASTM D5205
	Twinax seal grommet	Silicon elastomer per A-A-59588A class 3B
4 Insertion/removal tool	Tool	Stainless steel per AISI 301
5 & 6 Pin contact size 12 Pin contact size 22	Contact	Copper alloy C97, gold plate per AMS 2422 50 microinches min over nickel per AMS 2403 40-200 microinches min
7 Pin twinax contact size 8	Outer & inner contacts	Copper alloy per ASTM B196, gold plated per Mil-G-45204 50 microinch min. over nickel plate per QQ-N-290 50 microinch min.
	Shield ferrule	Brass per ASTM B453, gold plated per MIL-G-45204 50 microinch min. over nickel plate per QQ-N-290 50 microinch min.
	Front insulator & spacer insulator	TFE thermoplastic per AMS 3651
8 Sealing plug	Sealing plug	PTFE thermoplastic per ASTM -D1710

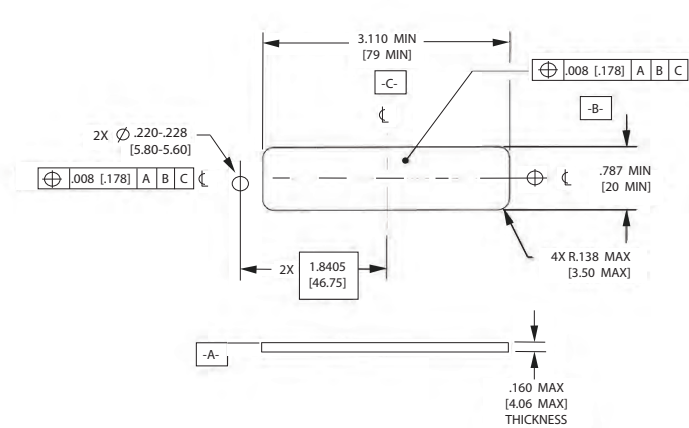
Receptacle Part Numbers and Descriptions

Item	Amphenol PCD P/N	Description	Amphenol PCD KIT P/N				
			APX2B801K	APX2B801C	APX2B801G	APX2B801S1	APX2B801S2
1	APX2AR00N	Receptacle Shell Assembly with Protective Cap	1	1	1	1	1
2	APXM25QPA	25 Pin Insert Polarization A with Twinax Seal	1	1	1	1	0
3	APXM006PB	6 Pin Insert Polarization B	1	1	1	1	1
4	APXIN0001	Blank Insert	0	0	0	0	1
5	CNP812100	APeX Pin Contact Size 12	0	6	6	6	6
6	CNP822100	APeX Pin Contact Size 22	0	15	15	0	0
7	CNP882100	APeX Pin Twinax Contact Size 8	0	1	0	0	0
8	CNA032401	Sealing Plug Size 22	0	9	9	0	0

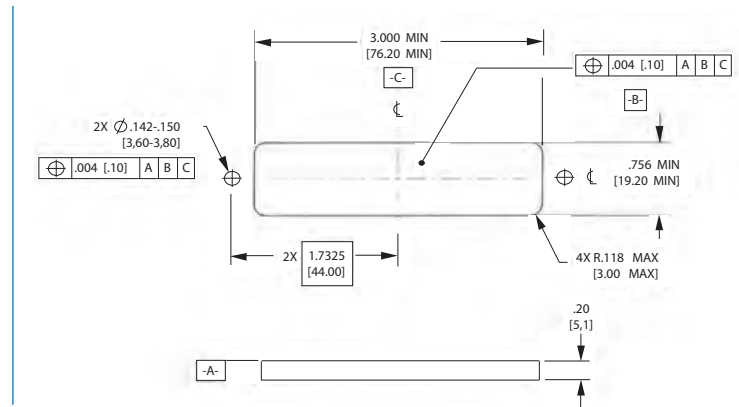
Cable Accommodations

Contact Size	Wire Size (AWG)	Crimping Tool	Positioner	Installing Tool	Removal Tool
22	26	M22520/2 -01	M22520/2 -23	M81969/14 -01	M81969/14 -01
	24				
	22				
12	16	M22520/1 -01	M22520/1 -02	M81969/14 -04	M81969/14 -04
	14				
	12				
8	24	Center Contacts: M22520/2 -01; Outer Body M22520/5 -01	Center Contacts: Daniels K709; Outer Body M22520/5 -45	M81969/14 -12	M81969/14 -12

Recommended Plug Panel Cutout Dimensions



Recommended Receptacle Panel Cutout Dimensions



Luminus Series



The Luminus Series is lightweight, cost-effective connectors that are highly reliable and simple to use. With multiple product options to choose from, they meet MIL-T-81714, accept AS39029 and Stamped & Formed contacts, and are environmentally-sealed. Ideal for where space is limited, these innovative connectors feature a locking mechanism that ensures stability, and are suitable for blind-mating.

- Developed to MIL-T-81714
- Standard AS39029 contacts
- Environmentally sealed

- Multiple keys & configurations
- Blind-Mate connection
- Quick, Simple connection

Amphenol Pcd

72 Cherry Hill Drive
Beverly, MA 01915 USA
info@amphenolpcd.com
978-624-3400

Amphenol

May, 2013

X-ON Electronics

Largest Supplier of Electrical and Electronic Components

Click to view similar products for [Heavy Duty Power Connectors](#) category:

Click to view products by [Amphenol](#) manufacturer:

Other Similar products are found below :

[647757-1](#) [6643411-1](#) [6646058-2](#) [6646137-1](#) [6646138-1](#) [6646479-1](#) [6646608-1](#) [6646786-1](#) [6646940-1](#) [6651091-1](#) [6651525-1](#) [6651529-1](#)
[6651788-1](#) [696475-1](#) [702-32-01109](#) [703-25-02205](#) [73000005059](#) [73000005642](#) [765-15-0080A](#) [765-16-0080B](#) [765-18-0080D](#) [829992-1](#)
[902-77-02113](#) [PS00/A0620/6300](#) [129-1J](#) [AN0024023](#) [E6374G1](#) [e6389g2](#) [157-43GW8](#) [MS3117-14AC](#) [1643543-1](#) [1650540-1](#) [1651811-2](#)
[1766260-1](#) [1766282-1](#) [1766966-1](#) [1791340000](#) [NLDFT-3-BL-L-S120-M40A](#) [NLDFT-N-W-L-C240-M40B](#) [NLS-2-R-C240-M40B](#) [NLS-N-](#)
[W-C240-M40B](#) [NPS-3-BL-T6](#) [1986615-1](#) [2-1589900-8](#) [2199314-1](#) [KA8102](#) [9300480317](#) [SBS50BRN#6](#) [29131](#) [296-0040-01100](#)