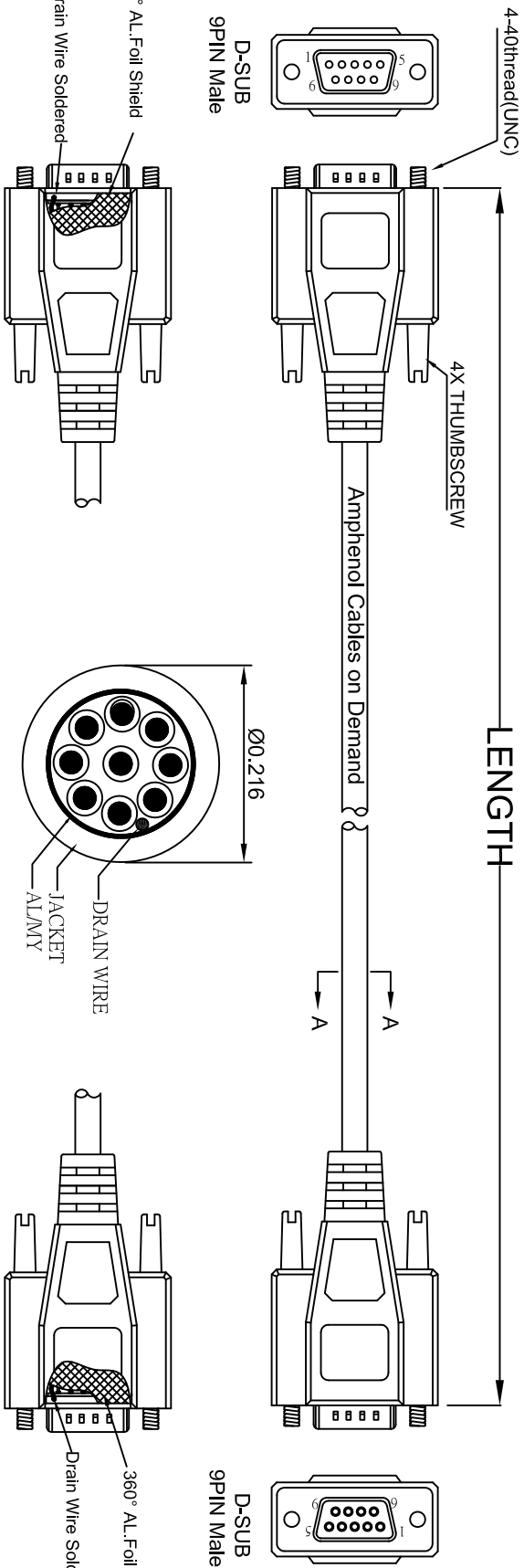


THE INFORMATION CONTAINED IN THIS DRAWING IS THE SOLE PROPERTY OF AMPHENOL CABLES ON DEMAND. ANY REPRODUCTION OR DISCLOSURE TO THIRD PARTIES IN PART OR WHOLE WITHOUT THE EXPRESS WRITTEN PERMISSION OF AMPHENOL CABLES ON DEMAND IS PROHIBITED.

REV.	DESCRIPTION	DATE	APPROVED
A	NEW RELEASE	23/APR/2007	
A1	Add wiring color	12/JAN/2012	
A2	Correction of male conn. pin assignment	05/JUN/2019	



**SEC A-A**

**LENGTH & P/N Table**

LENGTH	P/N	Cable Color
2.5FT ±1 inch	CS-DSSMIDB9MM0-002.5	GRAY
5FT ±2 inch	CS-DSSMIDB9MM0-005	GRAY
10FT ±3 inch	CS-DSSMIDB9MM0-010	GRAY
25FT ±4 inch	CS-DSSMIDB9MM0-025	GRAY
50FT ±6 inch	CS-DSSMIDB9MM0-050	GRAY

**PIN OUT: 1 TO 1**

Male	Male	Color
PIN1	PIN1	Black
PIN2	PIN2	Brown
PIN3	PIN3	Red
PIN4	PIN4	Orange
PIN5	PIN5	Yellow
PIN6	PIN6	Green
PIN7	PIN7	Blue
PIN8	PIN8	Purple
PIN9	PIN9	Gray
SHIELD	SHIELD	Drain Wire



**Amphenol Cables on Demand**  
20 VALLEY ST. ENDDICOTT, NY 13760

**Economy 9PIN D-Sub MM Common Serial Connection**

UNLESS OTHERWISE SPECIFIED DIMENSIONS ARE IN INCHES TOLERANCES ARE:	EAR NO.	DATE	SIZE	DRWG. NO.	REV.
DECIMALS ±.X			A	CS-DSSMIDB9MM0-XXX	A2
FRACTIONS ±XX	APPROVALS				
ANGLES ±X°	LF	23/APR/2007			
THIRD ANGLE PROJECTION	CHECKED	23/APR/2007			
	BA				
	RESP ENG				
	MFG ENG				

SCALE: SHEET OF

NOTES: UNLESS OTHERWISE SPECIFIED

## X-ON Electronics

Largest Supplier of Electrical and Electronic Components

*Click to view similar products for [D-Sub Cables](#) category:*

*Click to view products by [Amphenol](#) manufacturer:*

Other Similar products are found below :

[1200980218](#) [1200980067](#) [RB09P09P-006](#) [RB09P09P-012](#) [RB15P15P-006](#) [RB25P25P-006](#) [RB25P25P-012](#) [RB37P37P-024](#) [172-0906](#)  
[SHD15P15S-012](#) [SHD15P15S-036](#) [SHD15P15S-060](#) [ACL-10137-2MM](#) [RB09P09P-024](#) [319285-3](#) [RS422-OM2](#) [SHD26P26S-060](#)  
[SHD44P44S-036](#) [73-6210MM-6](#) [C200H-CN320-EU](#) [49725A 060S2](#) [73231-1321](#) [SDB-50AFFM-SL7A02](#) [49760A 060S2](#) [CS-](#)  
[DSDMDB09MM-050](#) [HDB-26AFFM-SL7A02](#) [30-9503P](#) [30-9522P](#) [73-6220MM-6](#) [1200980058](#) [1200980066](#) [1200980078](#) [1200980052](#)  
[1200980093](#) [1200980028](#) [1200980021](#) [1200980127](#) [SDB-09AFFM-SL7A02](#) [SDB-15AMMM-SL7A01](#) [BB-LDVYCBL](#) [83421-9286](#)  
[MLDM2L-21P-6K7-18B](#) [KSFD1](#) [MM-2J2-021-SS1-41WN](#) [HDB-78AMMM-SL7A05](#) [SDB-37AMMM-SL7A03](#) [SDB-15AFFM-SL7A05](#)  
[ACC-500-163-R](#) [172-1910](#) [2900907/21.4](#)