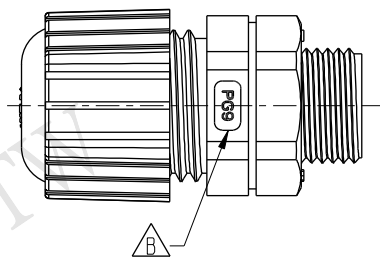
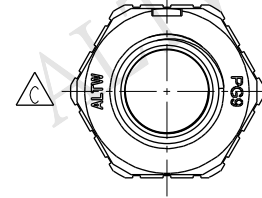
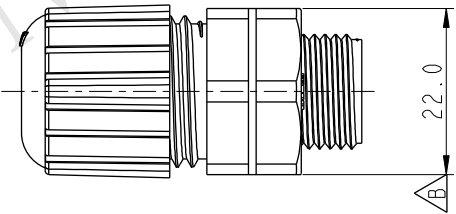
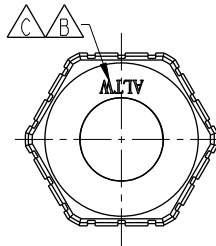
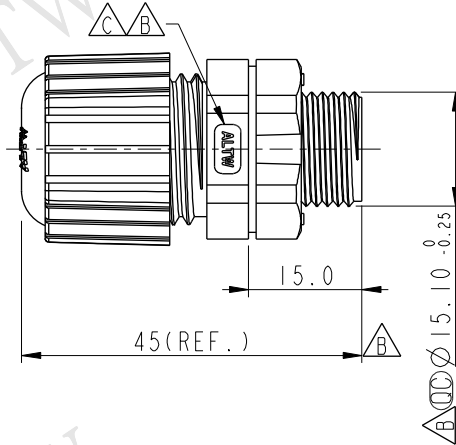
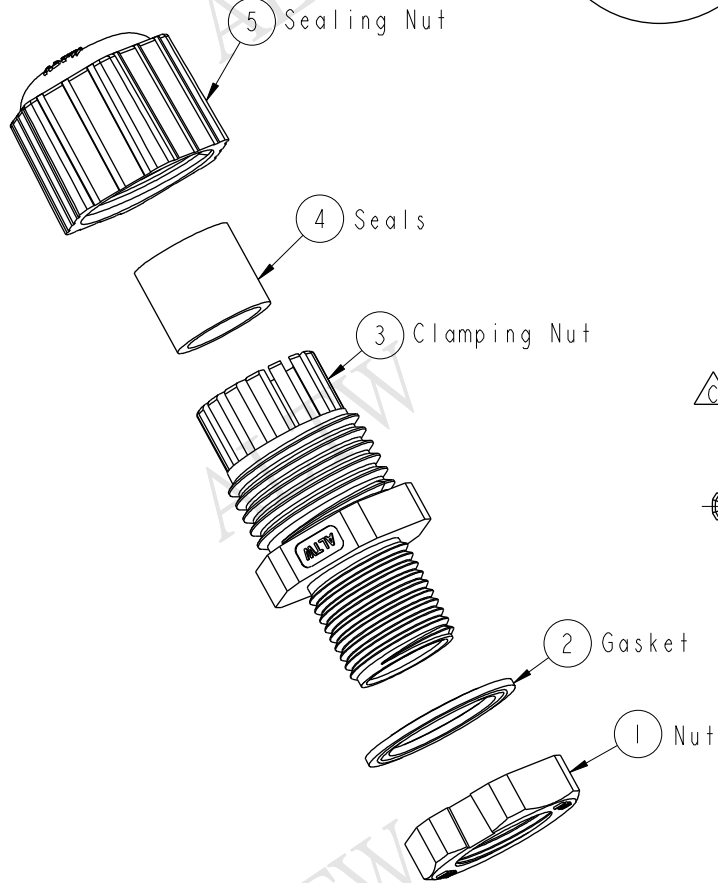


| REV. | ECN NO.     | DATE       | SIGN | DESCRIPTION      |
|------|-------------|------------|------|------------------|
| B    | ECN-0503095 | 2005/03/21 | XLM  | Ref. To ECN.Note |
| C    | LEN1570033  | 2015/05/13 | Ruru | Change Logo      |

**ALTW**  
**CONFIDENTIAL**  
 2015-05-13  
**R&D DEPT.**



- Note:**
- \*  $\varnothing$  Important Dimension
  - \* Nut: Nylon, Black
  - \* Gasket: EPDM, Black
  - \* Clamp Ring: Nylon, Black
  - \* Seals: EPDM, Black
  - \* Sealing Nut: Nylon, Black
  - \* Cable Range:  $\varnothing 6.0 \sim \varnothing 10.0$
  - \* For Panel Thickness: 7.5mm

|  |  |                                    |  |   |                        |                       |                  |                     |                    |                    |  |
|--|--|------------------------------------|--|---|------------------------|-----------------------|------------------|---------------------|--------------------|--------------------|--|
| UNIT: mm<br>TOLERANCE<br>.X $\pm 0.25$<br>.XX $\pm 0.1$<br>.XXX $\pm 0.05$<br>ANGLES $\pm 1^\circ$ |  | TITLE<br>PG9 Cable Glands Assembly |  |   | ITEM NO.<br>CSG-09G001 |                       | DRAWN BY<br>Ruru |                     | DATE<br>2015-05-13 |                    |  |
|  |  | SCALE<br>4:5                       |  | SIZE<br>A4                                  |                        | DWG NO.<br>CSG-09G001 |                  | CHECKED BY<br>Rita  |                    | DATE<br>2015-05-13 |  |
|  |  | REV.<br>C                          |  | WC-REV.<br>A.1                              |                        | CUSTOMER<br>ALTW      |                  | APPROVED BY<br>Lion |                    | DATE<br>2015-05-13 |  |
| SHEET 1 OF 1<br>(QC) Inspection item   |  |                                    |  | <b>Amphenol LTW</b><br><b>安費諾亮泰企業股份有限公司</b> |                        |                       |                  | 8 FMW10702-01-02A1  |                    |                    |  |

THIS DOCUMENT IS SUBJECT TO CHANGE WITHOUT NOTICE. IT IS CONFIDENTIAL AND A PROPERTY OF Amphenol LTW. DISCLOSURE TO THIRD PARTY HAS TO BE AUTHORIZED BY Amphenol LTW.

## X-ON Electronics

Largest Supplier of Electrical and Electronic Components

*Click to view similar products for [Circular Metric Connectors](#) category:*

*Click to view products by [Amphenol](#) manufacturer:*

Other Similar products are found below :

[600X518037X](#) [6STD15PCR99B70A](#) [8R4000A16M020](#) [8R5000A16M005](#) [1200910002](#) [1203580030](#) [1200910008](#) [1200910011](#) [1300140094](#)  
[130203-0054](#) [1300140026](#) [1300150099](#) [1-3637-600-5205](#) [1612618](#) [21036836414](#) [8R4006A16M010](#) [1R3006A20M005](#) [41-40011](#) [42-00006](#)  
[42-01015](#) [4-22279-4](#) [4-22281-1](#) [4-22284-9](#) [43-00113](#) [43-01203](#) [41-40013](#) [42-00008](#) [43-00343](#) [43-01026](#) [43-01162](#) [43-01173](#) [43-10000](#)  
[XS3P-M421-2](#) [600X518050X](#) [8R5006A16M020](#) [8R5006A16M005](#) [8R4000A16M010](#) [6-22279-3](#) [1605332](#) [N03FA03144](#) [1300140077](#) [43-](#)  
[16213](#) [43-01338](#) [XS2RD4265](#) [XS2R-D426-1](#) [XS8A-0441](#) [859RD04-103R004](#) [860RD04-113R004](#) [860RD04-213R004](#) [1-213245-2](#)