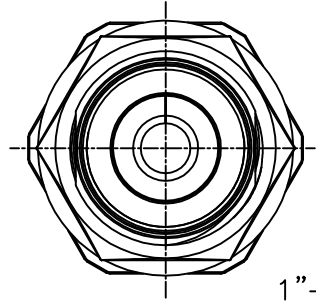
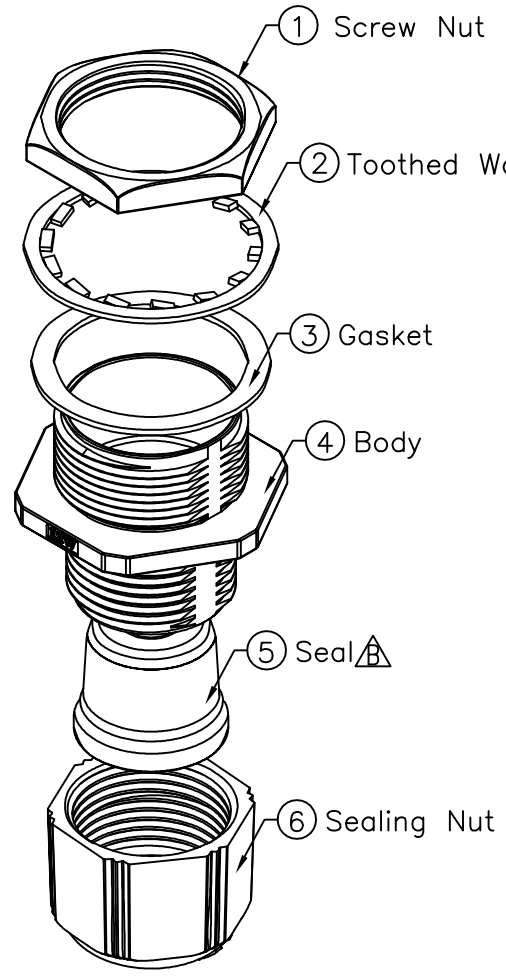


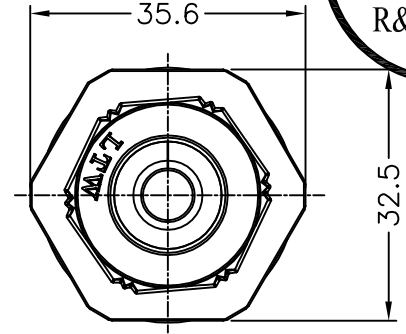
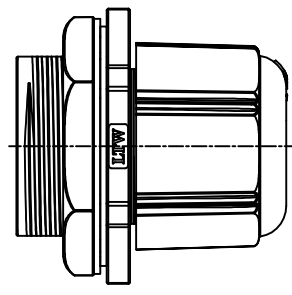
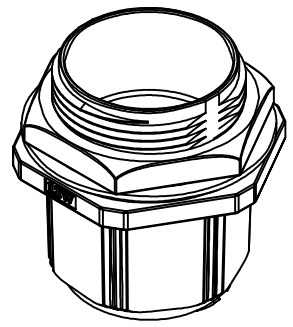
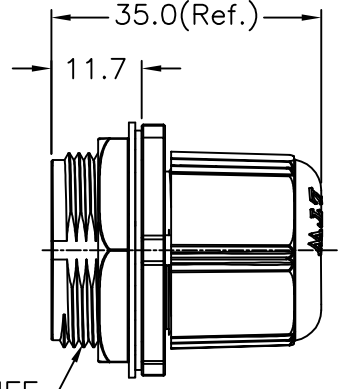
REV.	ECN NO.	DATE	SIGN	DESCRIPTION
B	LEN-910038	2008/11/07	Micky	Change The Seals

ALTW  
DCC. DEPT.  
CONFIDENTIAL  
2009.01.10  
ISSUED

ALTW  
CONFIDENTIAL  
2008.11.07  
R&D DEPT.



1"-20UNEF



Note:

- \* Waterproof Rating: IP68(Mated)
- \* Screw Nut & Body & Sealing Nut: ZDC3,Nickel Plated.
- \* Toothed Washer:Stainless Steel.
- \* Gasket & Seal:EPDM,Black.
- \* Seals OD:ø5.5~ø7.0mm
- \* Panel Thickness: 5mm max.
- \* Sealing Nut Torque:15~17 kgf.cm
- \* Spanner Size:  
Screw Nut: 30mm  
Body: 32.5mm  
Sealing Nut: 24mm

UNIT:mm	
TOLERANCE	
.X	±0.25
.XX	±0.1
.XXX	±0.05
ANGLES	±1°

TITLE Cable Gland For RJ	
SCALE Free	SHEET 1 OF 1
REV. B	SIZE A4
QC :Inspection Item	

**Amphenol LTW**  
安費諾亮泰企業股份有限公司

ITEM NO CSG-20E001
DWG NO CSG-20E001
CUSTOMER ALTW

DRAWN BY Micky
CHECKED BY Kathy
APPROVED BY Simon

DATE 2008/11/07
DATE 2008/12/07
DATE 2008/12/07

THIS DOCUMENT IS SUBJECT TO CHANGE WITHOUT NOTICE. IT IS CONFIDENTIAL AND A PROPERTY OF Amphenol LTW. DISCLOSURE TO THIRD PARTY HAS TO BE AUTHORIZED BY Amphenol LTW.

## X-ON Electronics

Largest Supplier of Electrical and Electronic Components

*Click to view similar products for [Circular Metric Connectors](#) category:*

*Click to view products by [Amphenol](#) manufacturer:*

Other Similar products are found below :

[600X518037X](#) [6STD15PCR99B70A](#) [8R4000A16M020](#) [8R5000A16M005](#) [1200910002](#) [1203580030](#) [1200910008](#) [1200910011](#) [1300140094](#)  
[130203-0054](#) [1300140026](#) [1300150099](#) [1-3637-600-5205](#) [1612618](#) [21036836414](#) [8R4006A16M010](#) [1R3006A20M005](#) [41-40011](#) [42-00006](#)  
[42-01015](#) [4-22279-4](#) [4-22281-1](#) [4-22284-9](#) [43-00113](#) [43-01203](#) [41-40013](#) [42-00008](#) [43-00343](#) [43-01026](#) [43-01162](#) [43-01173](#) [43-10000](#)  
[XS3P-M421-2](#) [600X518050X](#) [8R5006A16M020](#) [8R5006A16M005](#) [8R4000A16M010](#) [6-22279-3](#) [1605332](#) [N03FA03144](#) [1300140077](#) [43-](#)  
[16213](#) [43-01338](#) [XS2RD4265](#) [XS2R-D426-1](#) [XS8A-0441](#) [859RD04-103R004](#) [860RD04-113R004](#) [860RD04-213R004](#) [1-213245-2](#)