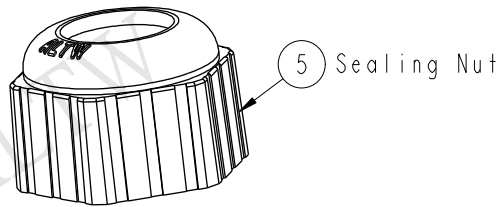
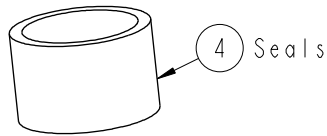


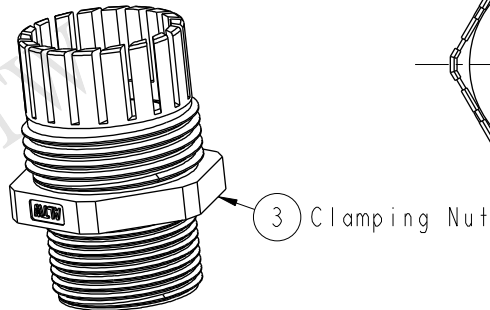
REV.	ECN NO.	DATE	SIGN	DESCRIPTION
B	LEN-6A0003	2006/10/04	Rita	Change Cable Range
C	LEN-6C0042	2006/12/06	Jerry	Modify Note
D	LEN1570054	2015/06/01	Ruru	Change Logo



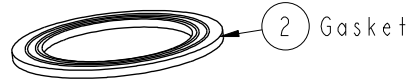
5 Sealing Nut



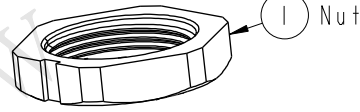
4 Seals



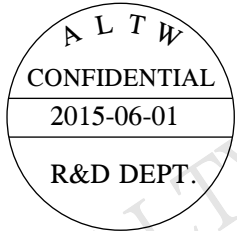
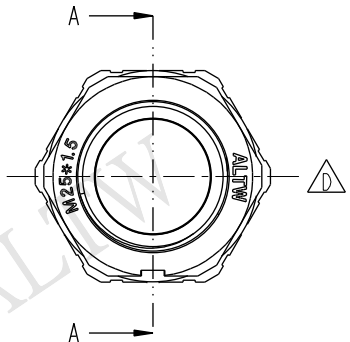
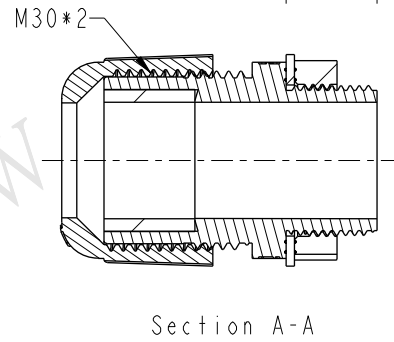
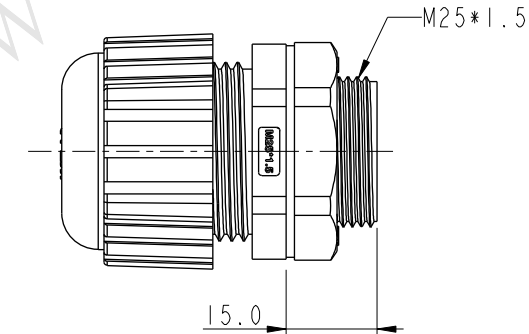
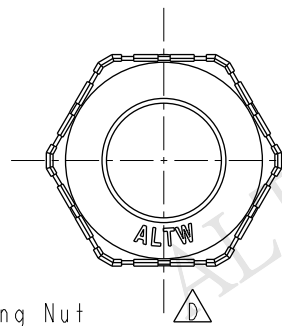
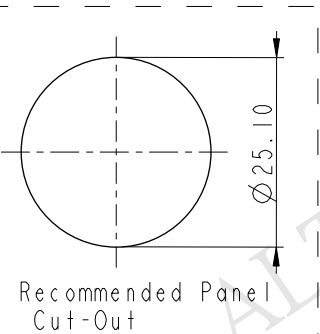
3 Clamping Nut



2 Gasket



1 Nut



- Note:
- * Waterproof Rate: IP68
 - * Screw Nut: Nylon, Gray
 - * Clamp Ring: Nylon, Gray
 - * Sealing Nut: Nylon, Gray
 - * Gasket: EPDM, Black
 - * Seals: EPDM, Black
 - * Panel Thickness: 6.2mm max
 - * Cable Range: $\varnothing 18-\varnothing 13\text{mm}$
 - * Spanner Size:
 - ① Screw Nut: 33mm
 - ③ Body: 32.5mm
 - ⑤ Sealing Nut: 35mm

UNIT: mm		TITLE			ITEM NO	DRAWN BY	DATE
		M25 Cable Gland Assy Gray For Long Type			CSG-25M001	Ruru	2015-06-01
TOLERANCE		SCALE	SIZE	SHEET	DWG NO	CHECKED BY	DATE
.X ±0.25		3:5	A4	1 OF 1	CSG-25M001	Rita	2015-06-01
.XX ±0.1		REV.	WC-REV.	QC: Inspection item	CUSTOMER	APPROVED BY	DATE
.XXX ±0.05		D	A.1		ALTW	Lion	2015-06-01
ANGLES ±1°							

Amphenol LTW
安費諾亮泰企業股份有限公司

THIS DOCUMENT IS SUBJECT TO CHANGE WITHOUT NOTICE. IT IS CONFIDENTIAL AND A PROPERTY OF Amphenol LTW. DISCLOSURE TO THIRD PARTY HAS TO BE AUTHORIZED BY Amphenol LTW.

X-ON Electronics

Largest Supplier of Electrical and Electronic Components

Click to view similar products for [Circular Metric Connectors](#) category:

Click to view products by [Amphenol](#) manufacturer:

Other Similar products are found below :

[600X518037X](#) [6STD15PCR99B70A](#) [8R4000A16M020](#) [8R5000A16M005](#) [1200910002](#) [1203580030](#) [1200910008](#) [1200910011](#) [1300140094](#)
[130203-0054](#) [1300140026](#) [1300150099](#) [1-3637-600-5205](#) [1612618](#) [21036836414](#) [8R4006A16M010](#) [1R3006A20M005](#) [41-40011](#) [42-00006](#)
[42-01015](#) [4-22279-4](#) [4-22281-1](#) [4-22284-9](#) [43-00113](#) [43-01203](#) [41-40013](#) [42-00008](#) [43-00343](#) [43-01026](#) [43-01162](#) [43-01173](#) [43-10000](#)
[XS3P-M421-2](#) [600X518050X](#) [8R5006A16M020](#) [8R5006A16M005](#) [8R4000A16M010](#) [6-22279-3](#) [1605332](#) [N03FA03144](#) [1300140077](#) [43-](#)
[16213](#) [43-01338](#) [XS2RD4265](#) [XS2R-D426-1](#) [XS8A-0441](#) [859RD04-103R004](#) [860RD04-113R004](#) [860RD04-213R004](#) [1-213245-2](#)