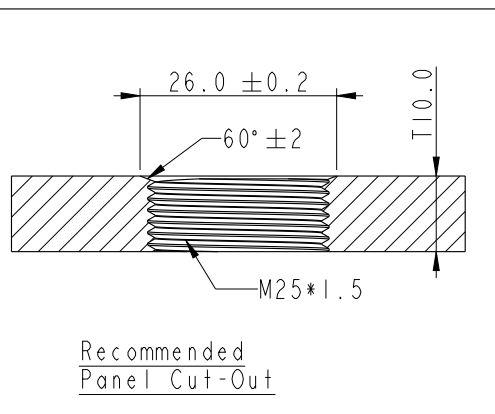
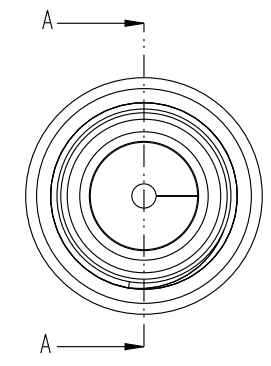
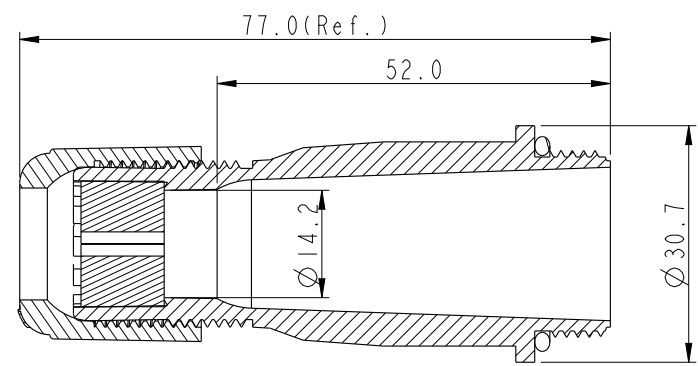
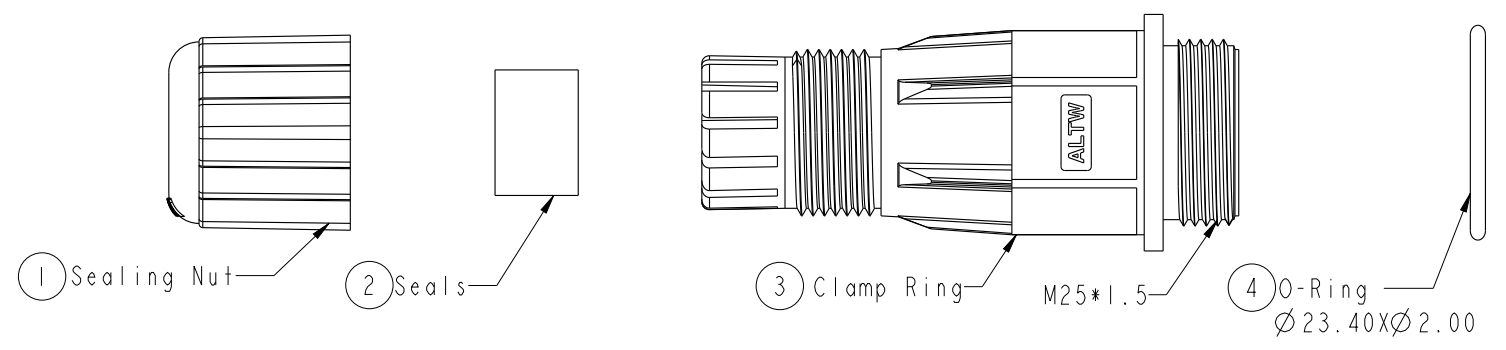


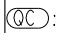


THIS DOCUMENT IS SUBJECT TO CHANGE WITHOUT NOTICE. IT IS CONFIDENTIAL AND A PROPERTY OF AMPHENOL LTW. DISCLOSURE TO THIRD PARTY HAS TO BE AUTHORIZED BY AMPHENOL LTW.

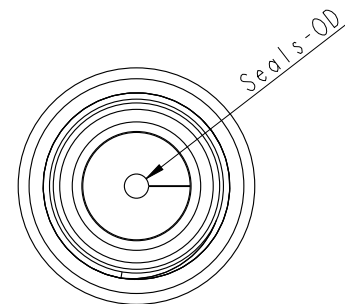
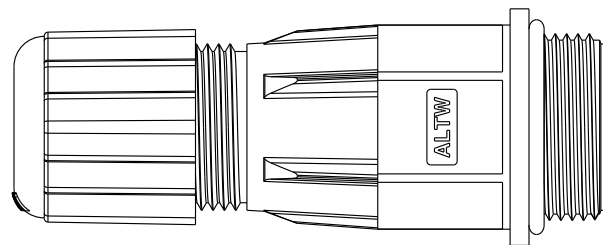
REV.	ECN NO.	DATE	SIGN	DESCRIPTION
B	C201849	2020-11-19	JC Chen	△X2



- Notes:
- \*  $\varnothing$  Important Dimension.
  - \* Waterproof Rating: IP67
  - \* Clamp Ring: PA66, UL94V-0.
  - \* Seal Nut: PA66, UL94V-0.
  - \* Seal: Silicone, UL94V-0, Gray.
  - \* O-Ring: Silicone, UL94V-0, Gray.
  - \* Assembly Put Into One PE Bag.

UNIT: mm TOLERANCE ±0.5	 	TITLE M25 LONGER CABLE GLAND		ITEM NO. CSL-25M0XX		DRAWN BY Ouyang		DATE 2018/01/17		
		SCALE 1:1	SIZE A4	SHEET 1	OF 2	DWG NO. CSL-25M0XX	CHECKED BY Mafei	DATE 2018/01/17		
		REV. B	WC-REV. A.2	 Inspection item		CUSTOMER ALTW	APPROVED BY Jerry	DATE 2018/01/17		

**Amphenol LTW**  
安費諾亮泰企業股份有限公司



CSL-25M0XX

01:OD=2.6 Color Black  
02:OD=2.6 Color Grey

11:OD=12.6 Color Black  
12:OD=12.6 Color Grey

Cable OD Range Ø 1.8~Ø 2.2	Cable OD Range Ø 2.2~Ø 2.8
 Two Holes Feed-Thru	 Two Holes Feed-Thru
 One Holes Insert	 One Holes Feed-Thru

No.	Part Number	Thread Style	Holes	Cable OD Range	Color	Note
1	CSL-25M001	M25	1	Ø 1.5~Ø 2.6	Black	Feed-Thru
2	CSL-25M002	M25	1	Ø 1.5~Ø 2.6	Grey	Feed-Thru
3	CSL-25M003	M25	1	Ø 2.0~Ø 3.2	Black	Feed-Thru
4	CSL-25M004	M25	1	Ø 2.0~Ø 3.2	Grey	Feed-Thru
5	CSL-25M005	M25	2	Ø 1.8~Ø 2.8	Black	Feed-Thru
6	CSL-25M006	M25	2	Ø 1.8~Ø 2.8	Grey	Feed-Thru
7	CSL-25M007	M25	1	Ø 5.0~Ø 7.0	Black	Feed-Thru
8	CSL-25M008	M25	1	Ø 5.0~Ø 7.0	Grey	Feed-Thru
9	CSL-25M009	M25	1	Ø 6.5~Ø 9.0	Black	Feed-Thru
10	CSL-25M010	M25	1	Ø 6.5~Ø 9.0	Grey	Feed-Thru
11	CSL-25M011	M25	1	Ø 10.0~Ø 12.4	Black	Insert
12	CSL-25M012	M25	1	Ø 10.0~Ø 12.4	Grey	Insert

UNIT : mm TOLERANCE ±0.5			TITLE M25 LONGER CABLE GLAND			<b>Amphenol LTW</b> 安費諾亮泰企業股份有限公司	ITEM NO CSL-25M0XX	DRAWN BY Ouyang	DATE 2018/01/17
			SCALE 1:1	SIZE A4	SHEET 2 OF 2		DWG NO CSL-25M0XX	CHECKED BY Mafei	DATE 2018/01/17
			REV. B	WC-REV. A.2	☉: Inspection item		CUSTOMER ALTW	APPROVED BY Jerry	DATE 2018/01/17

## X-ON Electronics

Largest Supplier of Electrical and Electronic Components

*Click to view similar products for [Fibre Optic Connectors](#) category:*

*Click to view products by [Amphenol](#) manufacturer:*

Other Similar products are found below :

[0004700001](#) [6100-R](#) [6313](#) [F709722200](#) [F709730000](#) [F718183204](#) [F727403500](#) [F727752800](#) [8119](#) [9440F20-27S-190](#) [944-120-6001](#)  
[9441F10SL-3S](#) [9444W28-21S](#) [9444W36-10S](#) [9446W20-16S](#) [953-101-5310-P](#) [954-101-57202B](#) [A0270169](#) [12-9122](#) [12-5702](#) [AX101713](#)  
[AX102420](#) [AX103923](#) [AX104024](#) [AX104193](#) [AX104230](#) [AX104562](#) [AX105203-B25](#) [AX105205-S1](#) [EHSC2M](#) [17-300800](#) [181-011-126](#)  
[181-011-S](#) [181-057-126](#) [NKSOPBUY](#) [20500002116](#) [2064996-1](#) [20800001065](#) [2170](#) [9132](#) [2612](#) [2620](#) [9291](#) [9440F16-10S](#) [9440F20-18S](#)  
[9444W32-73S](#) [9446F16-10S-190](#) [953-106-50231](#) [953-120-5003](#) [955-120-5110](#)