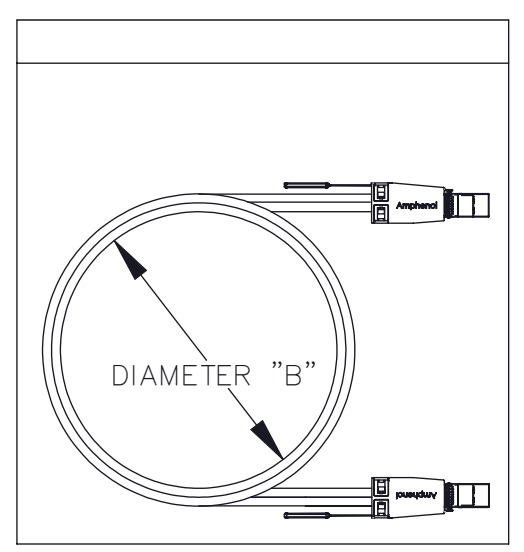


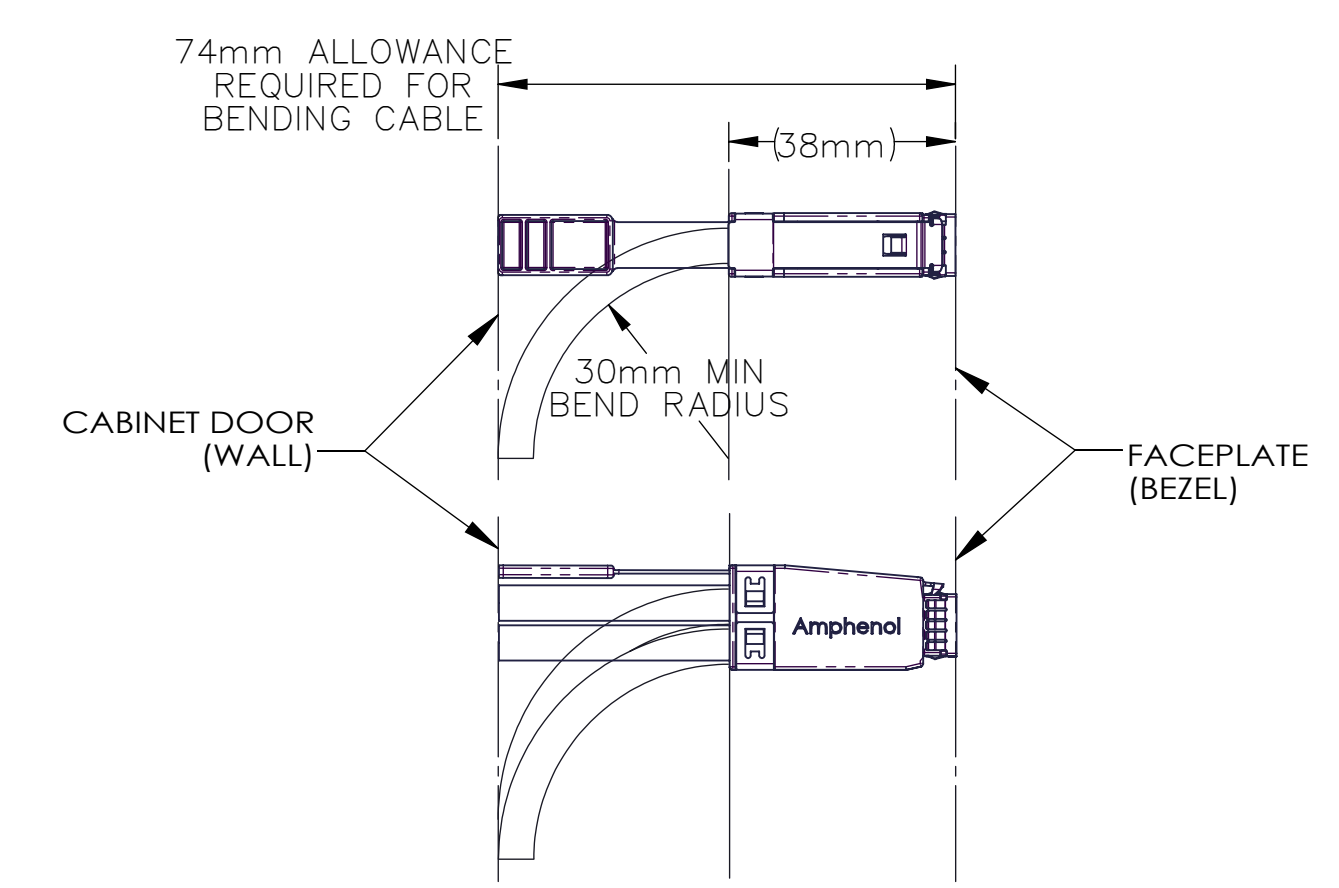
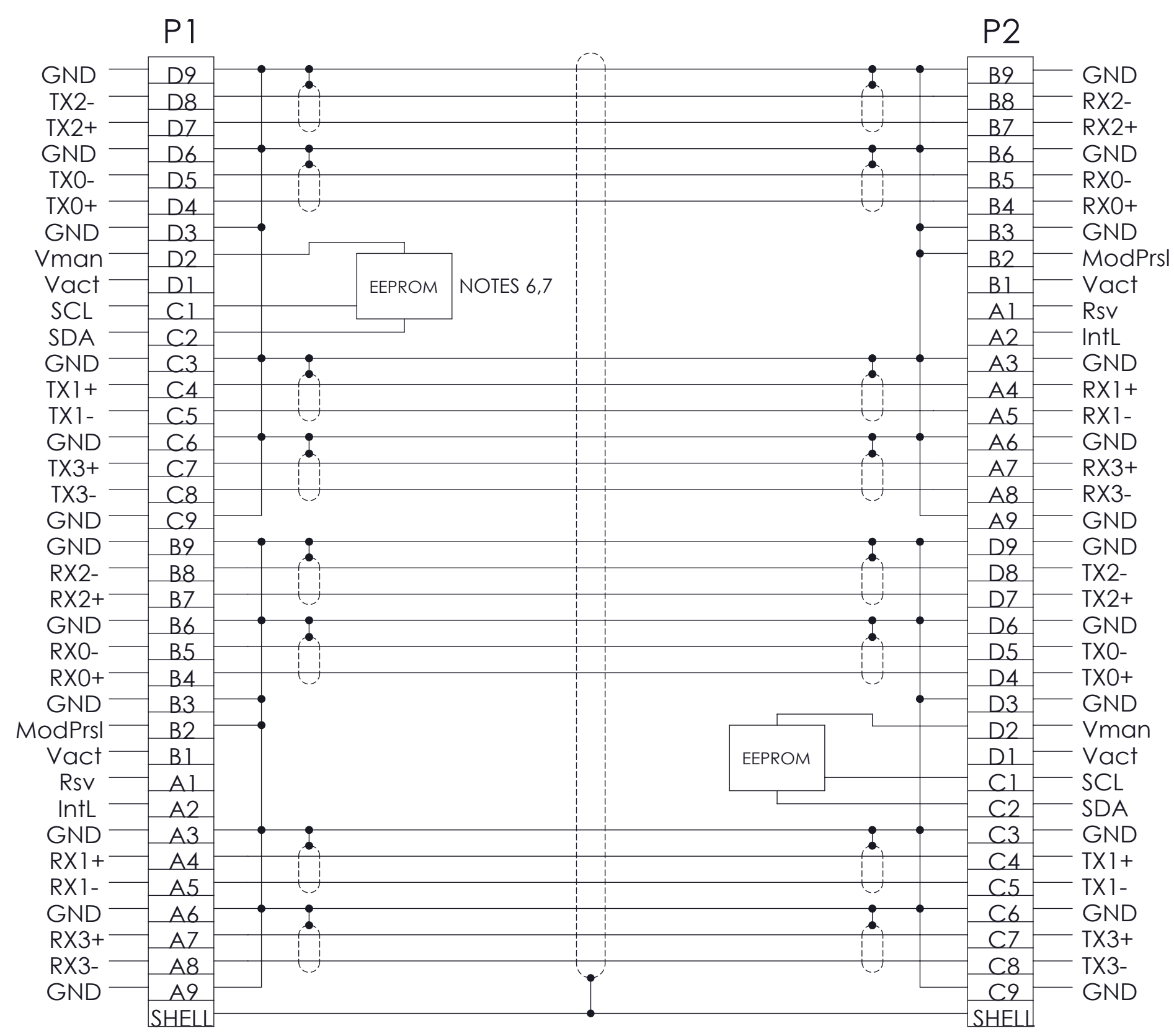
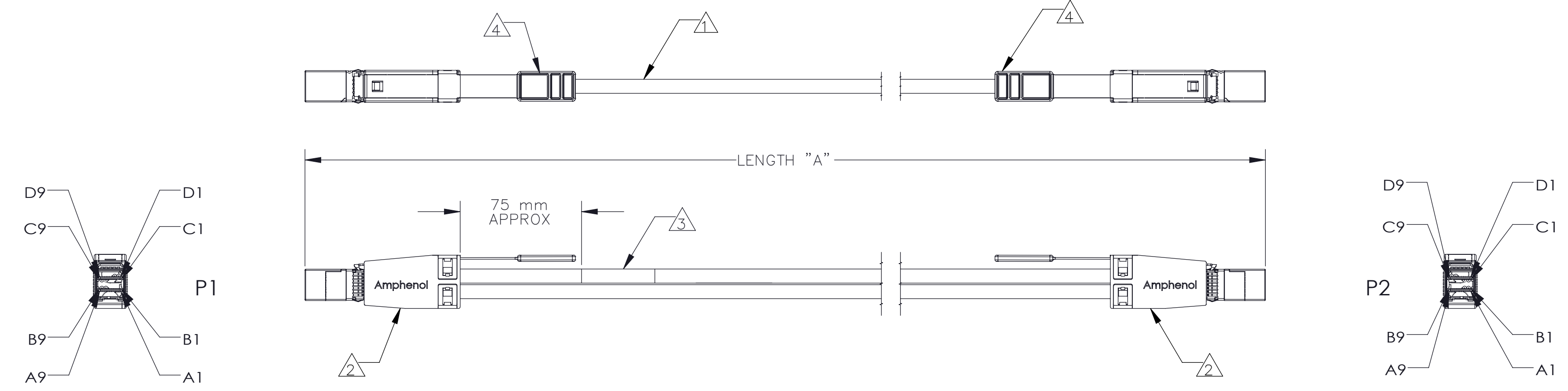
TABLE 1				
AHSP P/N	LENGTH "A"	ACD P/N	DIAMETER "B"	DESCRIPTION
NBCCDB-C102	2000 MM ±50 MM	CS-SASMINIHD2-002	7.0" ± 1.0"	MINISAS HD TO MINISAS HD 28AWG, 2M
NBCCDB-C103	3000 MM ±75 MM	CS-SASMINIHD2-003	7.0" ± 1.0"	MINISAS HD TO MINISAS HD 28AWG, 3M

REVISIONS						
ZONE	REV.	ECN NUMBER	DESCRIPTION	BY	DATE	APPROVED
	A	RGAO-21010302	NEW RELEASE	R.LI	12/04/2020	F.HONG
	B	RGAO-21020309	ADDED DESCRIPTION COLUMN TO TABLE 1.	N.ZENG	2/4/2021	F.HONG

TABLE 2	
ITEM No.	DESCRIPTION
1	28 AWG 4PR,BLACK,UL CL2 CSA FT4 75°C, AWM 75°C
2	PLUG, HDMSAS - REFERENCE SFF-8644
3	LABEL, WRAPPED - AHSP P/N & REV, DATE CODE, COUNTRY OF ORIGIN AND SERIAL NUMBER
4	LANYARD, HDMSAS, BLUE, UL 94V-0



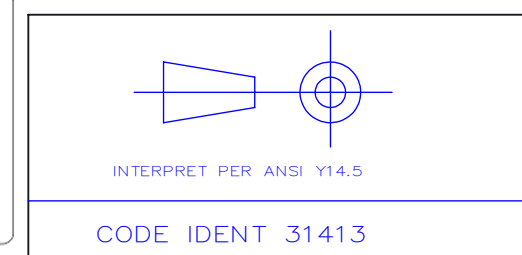
BAGGED CABLE ASSY NOT TO SCALE



MIN BEND ALLOWANCE FROM FACEPLATE (28AWG)

- THIS DRAWING IS RESERVED FOR AMPHENOL CABLES ON DEMAND (NO CUSTOMER DRAWING)..
- TEST COMPLETED ASSEMBLIES PER ACS-1189. TEST ASSEMBLIES AT 12.00 Gbps AND/OR PER AMPHENOL IOPS-4001 SPEC.
- UL LABEL MUST BE ON SHIPPING CARTON PER SUBJECT 764 OF THE UL COMPONENT WIRING HARNESS (ZPFW2) FILE #E86140. CSA LABEL MUST BE ON SHIPPING CARTON.
- PACKAGE COMPLETED ASSY IN AN APPROPRIATELY SIZED ANTI-STATIC BAG.
- INSTALL DUST COVER OVER EACH CONNECTOR PRIOR TO SHIPMENT TO CUSTOMER.
- EPROM CONTENT SHALL BE COMPLIANT WITH SFF-8636 AND SFF-8024 FOR SAS 3.0.
- CAUTION: ANTI-STATIC CONTROL MEASURES MUST BE OBSERVED DURING THE MANUFACTURE OF THIS ASSEMBLY.
- ALL MATERIALS USED IN THE MANUFACTURE OF THIS ASSEMBLY SHALL COMPLY WITH AMPHENOL REGULATED MATERIALS SPECIFICATION ACS-1152.

NOTES: UNLESS OTHERWISE SPECIFIED



TOLERANCES	DWN 12/04/2020	Amphenol AHSP A Division of Amphenol Corporation 200 Innovative Way, Suite 201, Norwalk, NH 03060 (603) 876-3000
.00 ± 0.010	R.LI	
.000 ± .003	CHK 12/04/2020 F.HONG	
.0000 ± 0.0001	APVD 12/04/2020 W.ZHANG	
ANGLES ± 1.0°		TITLE: CABLE ASSEMBLY, MINISAS HD TO MINISAS HD 4X, 28AWG,SAS 3.0,12Gbps PART NO. SEE TABLE 1 REV N/A DRAWING NO. C-NBCCDB-C199 REV B SIZE D SCALE 1:1 Sheet 1 OF 1

CUSTOMER USE DRAWING

X-ON Electronics

Largest Supplier of Electrical and Electronic Components

Click to view similar products for [Computer Cables](#) category:

Click to view products by [Amphenol](#) manufacturer:

Other Similar products are found below :

[68809-0004](#) [8F36-AAA105-1.00](#) [IB63](#) [CB-716EB-RS](#) [CB-716P8P9-RS](#) [CBK-11-290K-00](#) [ACL-10550](#) [ACL-10568-2](#) [ACL-10568-5](#)
[427522400-3](#) [32102-021500-200-RS](#) [426091300-3](#) [48000023](#) [10114976-P015002LF](#) [88761-6101](#) [NT631C-CN321-EU](#) [ACL-10568NF-1](#)
[MIKROE-2092](#) [PCL-101100R-2E](#) [1700009405](#) [PS/2 Cable](#) [NT31C-CN323-EU](#) [FWAX-PK1-51](#) [PCL-10168H-1E](#) [68801-1905](#) [111068-1015](#)
[100436-1107](#) [68801-0630](#) [68801-3612](#) [68801-3618](#) [205058-1002](#) [PS2NK](#) [SATA cable](#) [96021-0000-00-0](#) [FAK-SMZSMZ 5M](#) [FAK-](#)
[SMZSMZ-3M](#) [ACC-500-200-R](#) [iW-C40-PCIe08-C1](#) [1700001531](#) [96048-0000-00-0](#) [SATA III cable 30cm, down/straight](#) [cab-Pico-ITX-](#)
[LVDS](#) [PCL-101100SB-2E](#) [AXXSTCBLQAT](#) [NT31C-KBA05](#) [PCL-101100M-2E](#) [A2U4PSWCXCXK1](#) [2 port SATA to 5 pin,L=200mm](#)
[ACL-10568NF-2](#) [C-PS2WG/5](#)