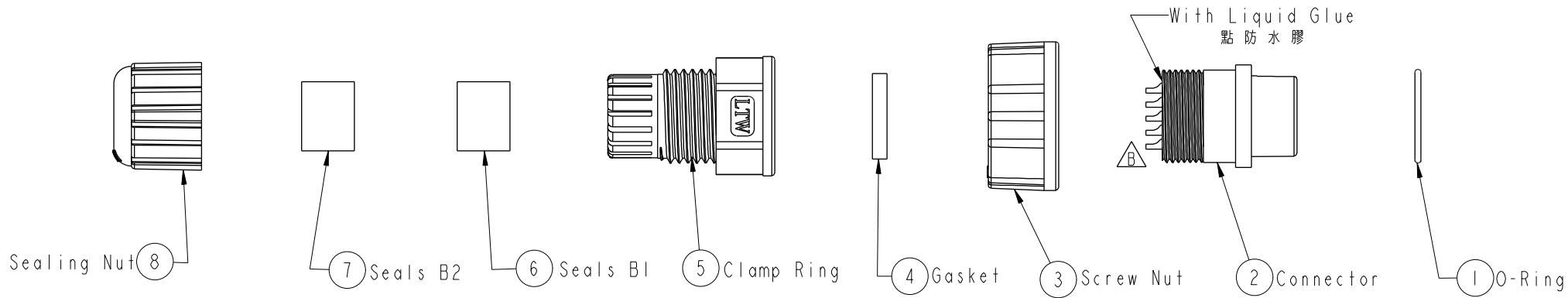


REV.	ECN NO.	DATE	SIGN	DESCRIPTION
B	LEN-0C0139	2010/11/25	IVNA	Change 前導角 View

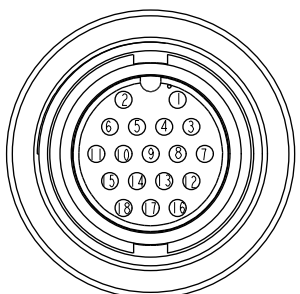


ALTW
CONFIDENTIAL
2012-04-18
R&D DEPT.

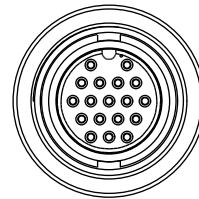
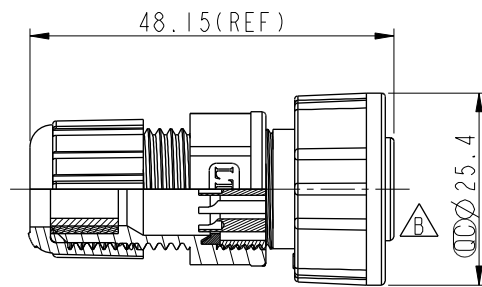
ALTW
DCC. DEPT.
CONFIDENTIAL
2012-06-01
ISSUED

Notes:

- * \varnothing Important Dimension.
- * Connector: Nylon+GF, Black
- * Female Pin: Copper Alloy, Gold Plated.
- * O-Ring: EPDM, Black.
- * Screw Nut: Nylon+GF, Black
- * Gasket: Silicone, Black
- * Sealing Nut: Nylon, Black.
- * Clamp Ring: Nylon, Black.
- * Seals: EPDM, Black
- * Seals B1 for Cable OD: $\varnothing 7.6\text{mm} \sim \varnothing 9.6\text{mm}$
(防水圈B1線徑: $\varnothing 7.6\text{mm} \sim \varnothing 9.6\text{mm}$)
- * Seals B2 for Cable OD: $\varnothing 4.0\text{mm} \sim \varnothing 7.6\text{mm}$
(防水圈B2線徑: $\varnothing 4.0\text{mm} \sim \varnothing 7.6\text{mm}$)
- * One Set Unassembled in One PE Bag.
(每一組未組裝, 放置於一個PE袋, 並封口)



Pin Assignments
Front View 前視圖



Conn

UNIT: mm		TITLE 18Pin Female Connector Female Pin(2A)			Amphenol LTW 安費諾亮泰企業股份有限公司	ITEM NO. CU-18BFFA-SL7001	DRAWN BY SamChang	DATE 2012-04-18
		TOLERANCE .X ±0.25 .XX ±0.1 .XXX ±0.05 ANGLES ±1°	SCALE 1:1	SIZE A4		SHEET 1 OF 1	DWG NO. CU-18BFFA-SL7001	CHECKED BY Jeffrey
		REV. B	WC-REV. A.2	\varnothing : Inspection item	CUSTOMER ALTW	APPROVED BY Lion	DATE 2012-06-01	

THIS DOCUMENT IS SUBJECT TO CHANGE WITHOUT NOTICE. IT IS CONFIDENTIAL AND A PROPERTY OF AMPHENOL LTW. DISCLOSURE TO THIRD PARTY HAS TO BE AUTHORIZED BY AMPHENOL LTW.

X-ON Electronics

Largest Supplier of Electrical and Electronic Components

Click to view similar products for [Standard Circular Connector](#) category:

Click to view products by [Amphenol](#) manufacturer:

Other Similar products are found below :

[5M2530B10P](#) [600259N006](#) [600273N007](#) [6134-336-13149](#) [6134-337-11149](#) [6134-337-2390](#) [6134-341-17149](#) [6280-4SG-516](#) [6280-7SG-3DC](#)
[6290](#) [6291A](#) [66200A-10](#) [680-SMG](#) [681-PMG](#) [CXS3102A14S2P](#) [CXS3102A181S](#) [7251-6SG-300](#) [7271-6SG-300](#) [7282-3PG-300-CH3](#) [75-](#)
[474014-05S](#) [75-474618-01S](#) [75-474618-04P](#) [75-474618-04S](#) [799539-000](#) [MI8-SE](#) [805-005-07NF11-19PC](#) [805-005-07NF15-7PA](#) [8280-4PG-](#)
[516](#) [8280-7PG-519](#) [8282-5PG-519](#) [836783-1](#) [MP-4102-25P-C](#) [862256-1](#) [864019-2](#) [866857-1](#) [867865-1](#) [PT01SP-14-18P](#) [PT08P-14-5S](#)
[PTSF06SE-14-12S](#) [120-1833-000](#) [QCM019PC2DC012B](#) [1-2069279-1](#) [121583-0217](#) [121667-0020](#) [129591AU](#) [1000B BULK](#) [RD10A16-19-](#)
[P6CS051/1](#) [RD10A20-31-P8CS051/1](#) [RD16A14-12-S6CS051/2](#) [1301240290](#) [1301240347](#)