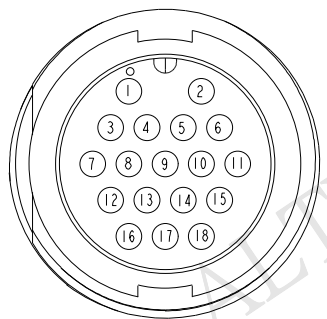
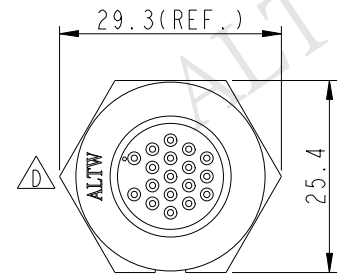
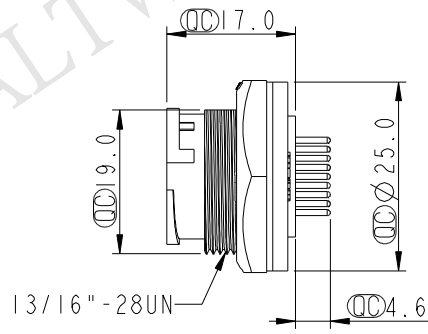
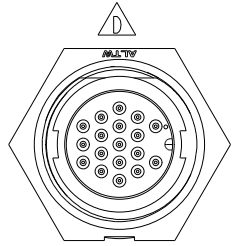


THIS DOCUMENT IS SUBJECT TO CHANGE WITHOUT NOTICE. IT IS CONFIDENTIAL AND A PROPERTY OF AMPHENOL LTW. DISCLOSURE TO THIRD PARTY HAS TO BE AUTHORIZED BY AMPHENOL LTW.

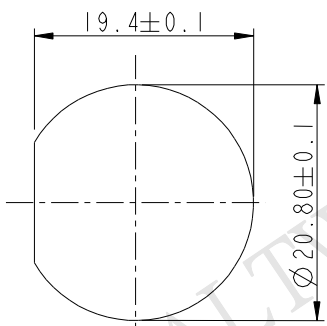
| REV. | ECN NO. | DATE | SIGN | DESCRIPTION |
|------|------------|------------|------------|-------------------|
| B | LEN-8B0191 | 2008/09/25 | Shin | Add Note |
| C | LEN-030099 | 2010/03/18 | Li Xiu Zhi | Change PCB Layout |
| D | LEN15A0329 | 2015/06/04 | Jinhai | Change Logo |



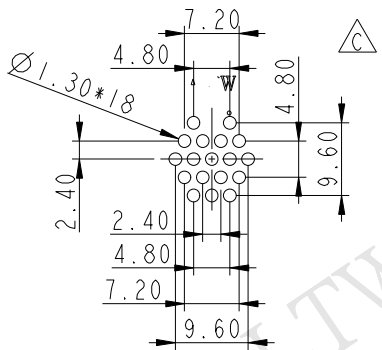
Pin Assignments
Front View



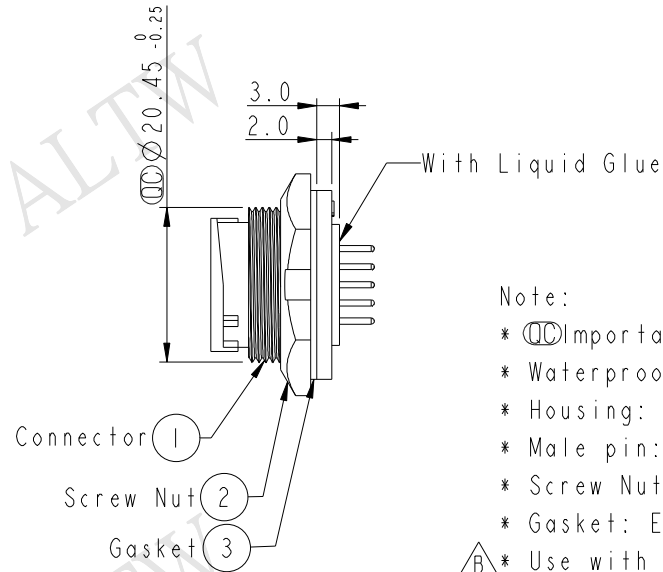
ALTW
 CONFIDENTIAL
 2015-06-04
 R&D DEPT.



Recommended
Panel Cut-Out



18 Pin Male Connector
Male Pin PCB Layout



Note:

- * \varnothing Important Dimension To Check.
- * Waterproof Rate: IP67
- * Housing: Nylon+GF, Black
- * Male pin: Copper Alloy, Gold Plated
- * Screw Nut: Nylon+GF, Black
- * Gasket: EPDM, Black
- $\triangle B$ * Use with waterproof cap or dust cap
Panel Thickness Max: 3.0mm
- $\triangle A$ * Use without waterproof cap or dust cap
Panel Thickness Max: 4.0mm

| | |
|-----------|-------|
| UNIT:mm | |
| TOLERANCE | |
| .X | ±0.25 |
| .XX | ±0.1 |
| .XXX | ±0.05 |
| ANGLES | ±1° |

| | | | |
|--|---------------|---------------------------------|--|
| TITLE Middle Panel Lock 18Pin M Conn M Pin | | | |
| SCALE 1:1 | SIZE A4 | SHEET 1 OF 1 | |
| REV. D | WC-REV. .0 | \varnothing : Inspection item | |

Amphenol LTW
 安費諾亮泰企業股份有限公司

| | | |
|------------------------------|----------------------|--------------------|
| ITEM NO. CU-18PMMP-LC7001 | DRAWN BY Jinhai | DATE 2015-06-04 |
| DWG NO. CU-18PMMP-LC7001 | CHECKED BY Tom | DATE 2015-06-04 |
| CUSTOMER ALTW | APPROVED BY Jerry | DATE 2015-06-04 |

X-ON Electronics

Largest Supplier of Electrical and Electronic Components

Click to view similar products for [Standard Circular Connector](#) category:

Click to view products by [Amphenol](#) manufacturer:

Other Similar products are found below :

[5M2530B10P](#) [600259N006](#) [600273N007](#) [6134-336-13149](#) [6134-337-11149](#) [6134-337-2390](#) [6134-341-17149](#) [6280-4SG-516](#) [6280-7SG-3DC](#)
[6290](#) [6291A](#) [66200A-10](#) [680-SMG](#) [681-PMG](#) [CXS3102A14S2P](#) [CXS3102A181S](#) [7251-6SG-300](#) [7271-6SG-300](#) [7282-3PG-300-CH3](#) [75-](#)
[474014-05S](#) [75-474618-01S](#) [75-474618-04P](#) [75-474618-04S](#) [799539-000](#) [MI8-SE](#) [805-005-07NF11-19PC](#) [805-005-07NF15-7PA](#) [8280-4PG-](#)
[516](#) [8280-7PG-519](#) [8282-5PG-519](#) [836783-1](#) [MP-4102-25P-C](#) [862256-1](#) [864019-2](#) [866857-1](#) [867865-1](#) [PT01SP-14-18P](#) [PT08P-14-5S](#)
[PTSF06SE-14-12S](#) [120-1833-000](#) [QCM019PC2DC012B](#) [1-2069279-1](#) [121583-0217](#) [121667-0020](#) [129591AU](#) [1000B BULK](#) [RD10A16-19-](#)
[P6CS051/1](#) [RD10A20-31-P8CS051/1](#) [RD16A14-12-S6CS051/2](#) [1301240290](#) [1301240347](#)