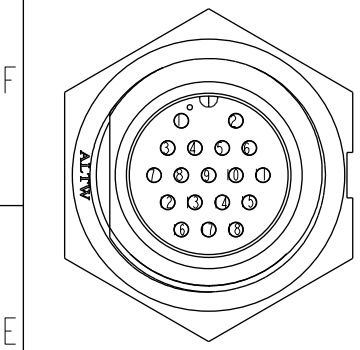
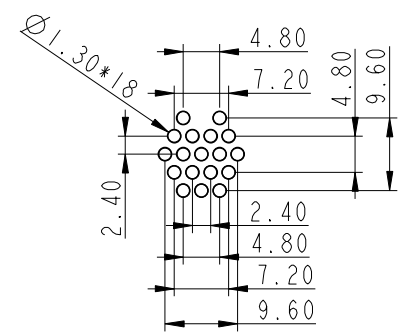
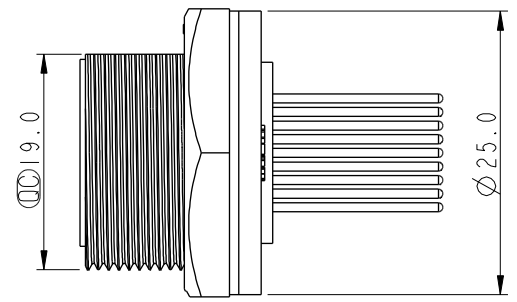


THIS DOCUMENT IS SUBJECT TO CHANGE WITHOUT NOTICE. IT IS CONFIDENTIAL AND A PROPERTY OF Amphenol LTW. DISCLOSURE TO THIRD PARTY HAS TO BE AUTHORIZED BY Amphenol LTW.

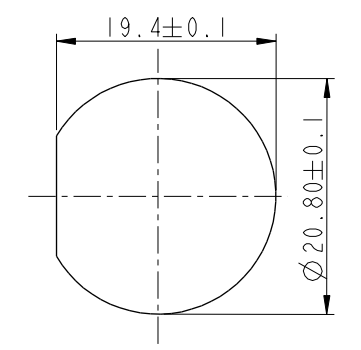
REV.	ECN NO.	DATE	SIGN	DESCRIPTION
B	LEN1630256	2016/03/01	Ruru	Change Logo
C	CI90310	2019/03/08	Ruru	Modify Note



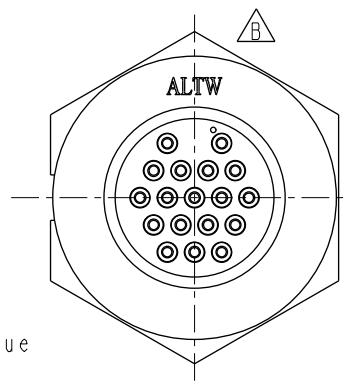
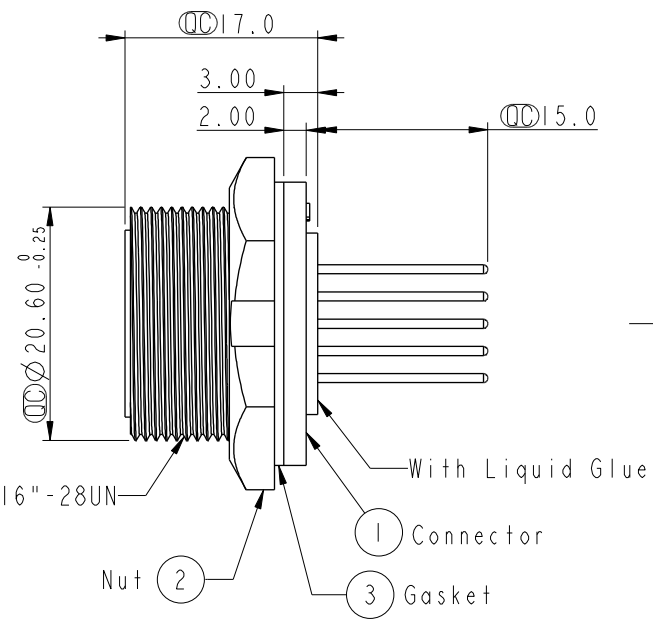
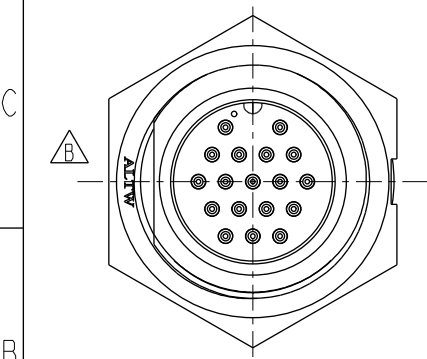
Pin Assignments  
Front View 前視圖



18 Pin Male Connector  
Male Pin PCB Layout



Recommended Panel Cut-Out



Note:  $\triangle$

- \*  $\varnothing$  Important Dimension.
- \* Waterproof Rate: IP67, Unmated
- \* Housing: Thermoplastic, Black
- \* Pin: Copper Alloy, Gold Plated
- \* Nut: Thermoplastic, Black
- \* Gasket: Rubber, Black
- \* Use with waterproof cap or dust cap  
For Panel Thickness Max: 2.0mm
- \* Use without waterproof cap or dust cap  
For Panel Thickness Max: 3.0mm
- \* Gasket and Nut are packed separately  
in PE bags.



UNIT: mm 	TITLE <b>18Pin Male Connector Male Pin</b>			<b>Amphenol LTW</b> <b>安費諾亮泰企業股份有限公司</b>		ITEM NO. CU-18PMMP-SC7002	DRAWN BY Ruru	DATE 2019-03-08
	SCALE 1:1	SIZE A4	SHEET 1 OF 1			DWG NO. CU-18PMMP-SC7002	CHECKED BY Rita	DATE 2019-03-08
	REV. C	WC-REV. A.3	$\varnothing$ : Inspection item			CUSTOMER ALTW	APPROVED BY Max	DATE 2019-03-08

## X-ON Electronics

Largest Supplier of Electrical and Electronic Components

*Click to view similar products for [Standard Circular Connector](#) category:*

*Click to view products by [Amphenol](#) manufacturer:*

Other Similar products are found below :

[5M2530B10P](#) [600259N006](#) [600273N007](#) [6134-336-13149](#) [6134-337-11149](#) [6134-337-2390](#) [6134-341-17149](#) [6280-4SG-516](#) [6280-7SG-3DC](#)  
[6290](#) [6291A](#) [66200A-10](#) [680-SMG](#) [681-PMG](#) [CXS3102A14S2P](#) [CXS3102A181S](#) [7251-6SG-300](#) [7271-6SG-300](#) [7282-3PG-300-CH3](#) [75-](#)  
[474014-05S](#) [75-474618-01S](#) [75-474618-04S](#) [799539-000](#) [MI8-SE](#) [805-005-07NF11-19PC](#) [805-005-07NF15-7PA](#) [8280-4PG-516](#) [8280-7PG-](#)  
[519](#) [8282-5PG-519](#) [836783-1](#) [MP-4102-25P-C](#) [862256-1](#) [864019-2](#) [866857-1](#) [867865-1](#) [PT01SP-14-18P](#) [PT08P-14-5S](#) [PTSF06SE-14-12S](#)  
[120-1833-000](#) [QCM019PC2DC012B](#) [1-2069279-1](#) [121583-0217](#) [121667-0020](#) [129591AU](#) [1000B BULK](#) [RD10A16-19-P6CS051/1](#)  
[RD10A20-31-P8CS051/1](#) [RD16A14-12-S6CS051/2](#) [1301240290](#) [1301240347](#) [1301860202](#)