

D **X** **X** **S** **1** **3** **B** **6** **X** **X** **0** **9** **L** **F**

SERIES

NO.OF CONTACTS

09,15,25,37

TYPE OF CONTACTS

S-SOCKET

TYPE OF TERMINATION

13-ANGLED SPILL
PITCH 2.54
FOOT PRINT 10.40 EUROPE

HEIGHT OF TERMINATION

B=2.9mm , COMPATIBLE FOR 2.4mm PCB

RoHS INFORMATIONS

"This LF product meets European Union Directives and other country regulations as described in GS-47-0004"

The housing will withstand exposure to 260°C peak temperature for 30 seconds in a convection,infra-red or vapor reflow oven solder application.

Packaging as per GS-14-920

PRODUCT SPECIFICATION

See :- GS-12-433
*For manual placement to PCB

PACKAGING SPECIFICATION

See :- GS-14-1157

SEE NOTE RoHS

PACKAGING SPECIFICATION
09- TRAY PACKING

MOUNTING OPTIONS

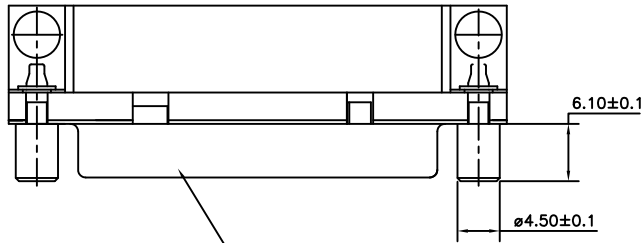
- RV->LIF METAL PEG+F.SCREW LOCK UNC 4 40+METAL BRACKET
- RL->LIF METAL PEG+ INSERT M3+METAL BRACKET
- RX->LIF METAL PEG+ INSERT UNC 4-40 +METAL BRACKET
- RI->LIF METAL PEG+ FEMALE SCREW M3+ELECTRICAL CONTINUITY

PLATING

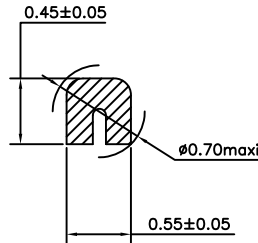
6 - 500 Mating/Un-mating performance

Amphenol FCI
© 2016 AFCl

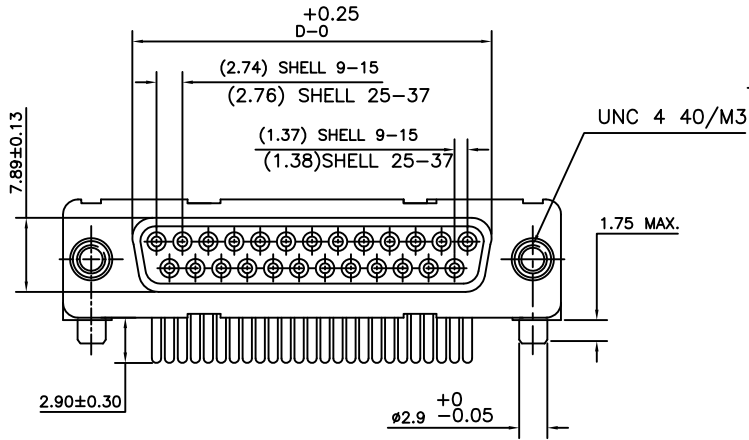
mat'l. code				surface		tolerance		projection		product family	
-				ISO 1302 ✓		ISO 406 ISO 1101				DELTA-D	
ltr				ecn no		dr		date		title	
A				-		MP		2016/12/19		DELTA-D A/S FEMALE PIP CONNETOR EUROPE VERSION	
				angles		linear		MM			
				0°±1'		.00±0.1		scale NTS			
				dr		RAMESH PK		2011/12/15		dwg no	
				enrg		MITHUN PAUL		2016/12/19		sheet 1 of 2	
				chr		GREGAR MATHEW		2016/12/19		size	
				appd		SUDHIR VARMA		2016/12/19		A3	
sheet index				revision		A		A		type	
				sheet		1		2		Product Customer Drawing	



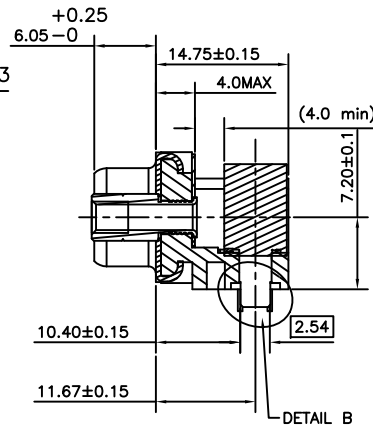
PART NUMBER AND DATE CODE MARKING



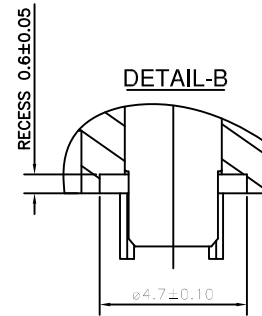
SECTION A - A



ACCESSORIES DETAILS

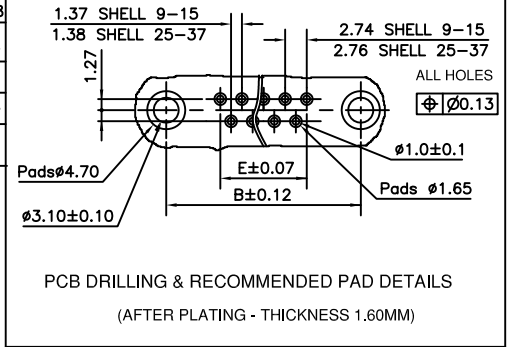


DETAIL B

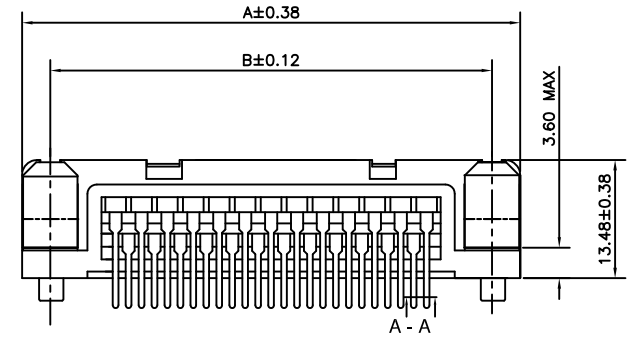


DETAIL-B

37	69.32	63.50	54.71	49.68
25	53.03	47.04	38.25	33.12
15	39.14	33.32	24.54	19.18
09	30.81	24.99	16.21	10.96
SHELL	A	B	D	E

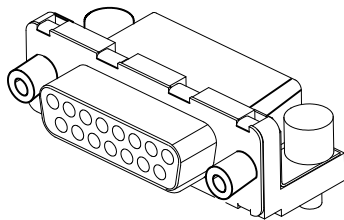


PCB DRILLING & RECOMMENDED PAD DETAILS
(AFTER PLATING - THICKNESS 1.60MM)

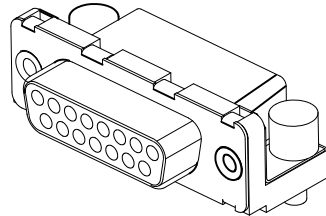


A - A

RV/RI VERSION



RX/RL VERSION



mat'l. code		surface ISO 1302		tolerance ISO 406 ISO 1101		projection		product family DELTA-D	
ltr		ecn no		dr date		tolerances unless otherwise specified		title	
A		-		MP 2016/12/19		angles linear .00±0.1		DELTA-D A/S FEMALE PIP CONNETOR EUROPE VERSION	
						0°±1'		MM	
								scale NTS	
				dr RAMESH PK 2011/12/15				dwg no sheet 2 of 2 size	
				enrg MITHUN PAUL 2016/12/19				10119795 A3	
				chr GREGAR MATHEW 2016/12/19				type Product Customer Drawing	
				appd SUDHIR VARMA 2016/12/19					
sheet index		revision A A		1 2					

X-ON Electronics

Largest Supplier of Electrical and Electronic Components

Click to view similar products for [D-Sub Standard Connectors](#) category:

Click to view products by [Amphenol](#) manufacturer:

Other Similar products are found below :

[56F706-005-LI](#) [56F711-015](#) [LV242999-142T12](#) [015-0341-000](#) [015-0349-000](#) [015-0350-000](#) [015-8544-011](#) [015-8755-001](#) [017041-0005](#)
[020419-0104](#) [012-0467-000](#) [012-9507-114](#) [020745-0008](#) [609-25P](#) [609-9P](#) [M24308/2-23Z](#) [M24308/2-36Z](#) [CT0-24-10SC](#) [CT0E20-8PS](#)
[CT0E22-14SC](#) [CT0F16S-1SC](#) [CT0FA22-1SS](#) [CT0P14S-5SXS](#) [CT0P22-14PS](#) [CT0TA16-11SXCA232](#) [CT0U22-14PSA206F127](#) [CT1E20-](#)
[19SS](#) [CT1E20-22SCAU-G9](#) [CT1F22-14PC-G9](#) [CT1FC22-2PC](#) [CT1FC24-28SSAU](#) [CT1N22-22SS](#) [CT2-10SL-3SC](#) [CT2-14S-2PCA34](#) [CT2-](#)
[18-10PS-FMLB-D](#) [CT2-18-11PCAU](#) [CT2-18-1PSAUA34](#) [CT2-22-19SC](#) [CT2-22-19SS-A206](#) [CT2-24-2PS](#) [CT2-28-12SC](#) [CT2-28-](#)
[12SCA232](#) [CT2-28-12SSA232](#) [CT6-10SL-3SC](#) [CT6-10SL-4SC](#) [CT6-16-12SC](#) [CT6-18-10PSA206](#) [CT6-18-10PSA232](#) [CT6-18-](#)
[10SSF127A206](#) [CT6-28-22SS](#)