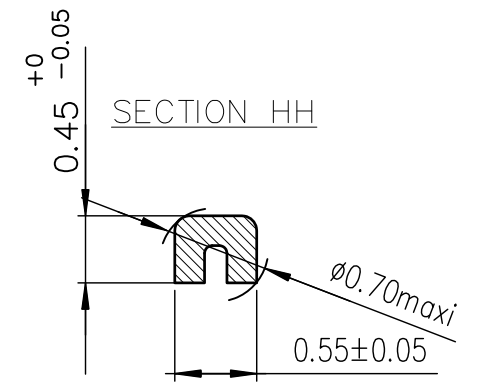
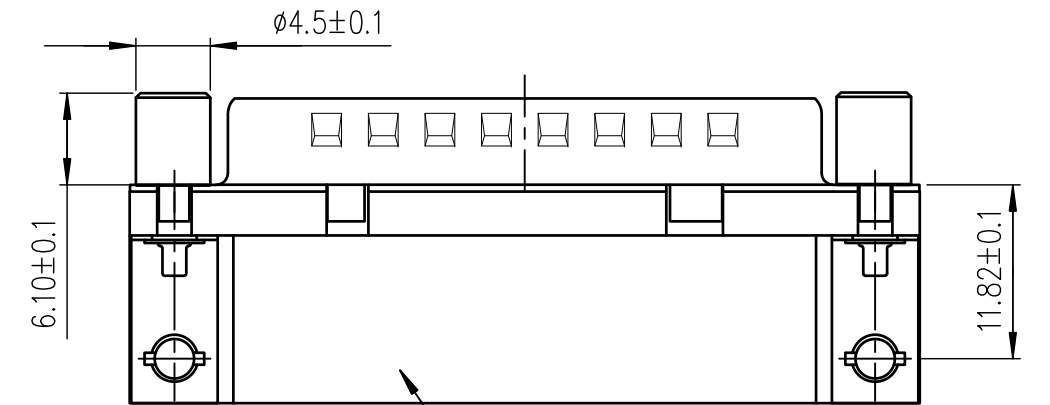
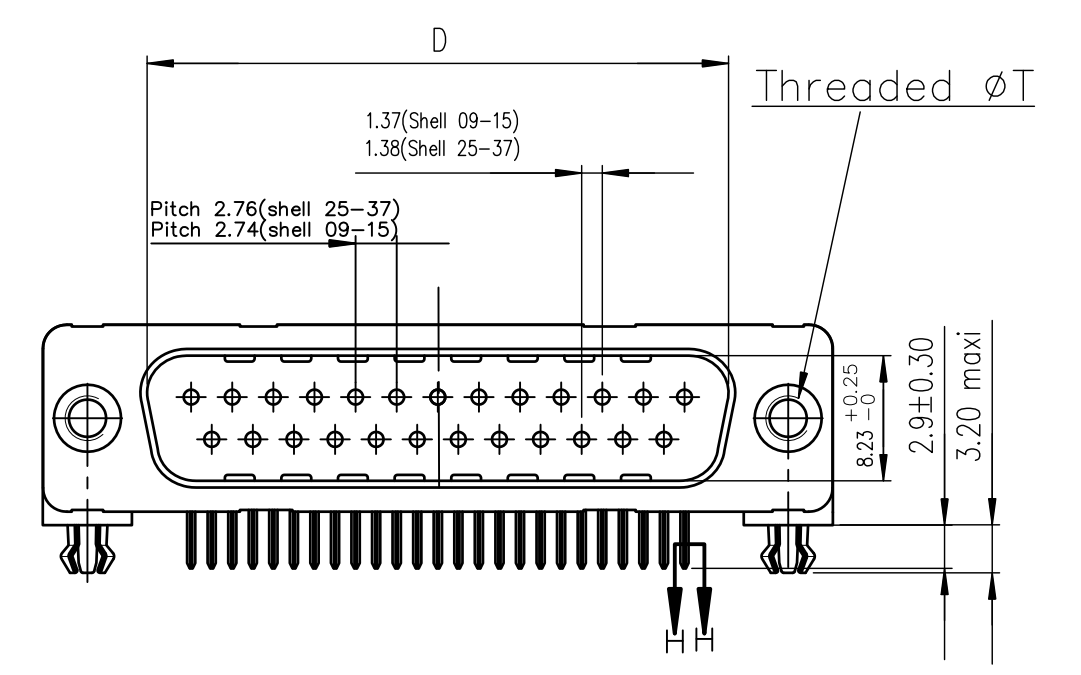
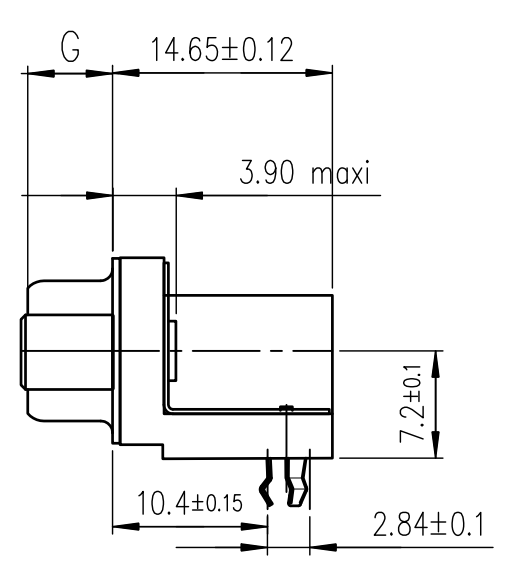
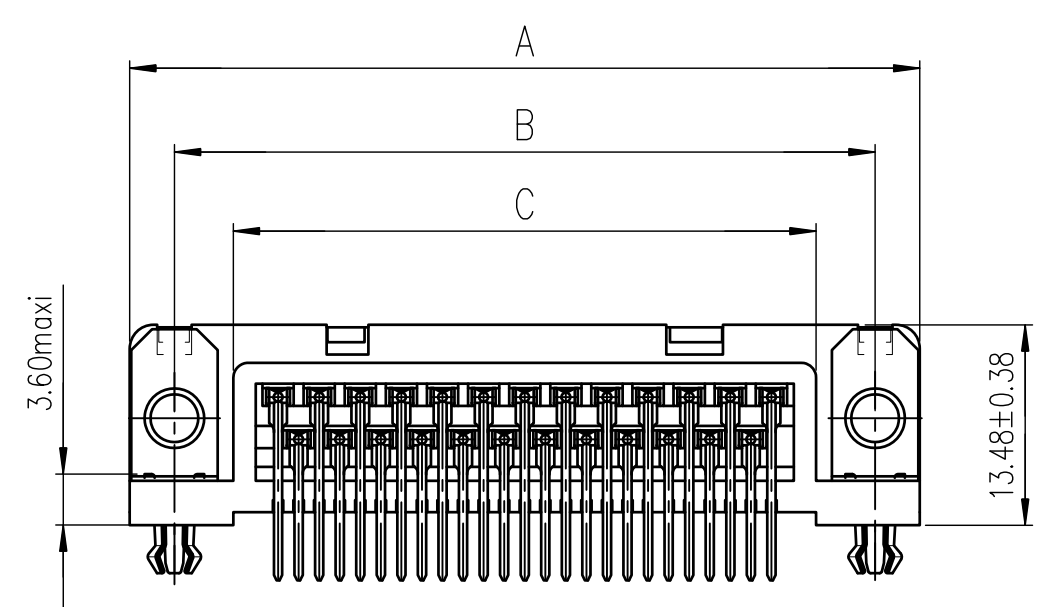


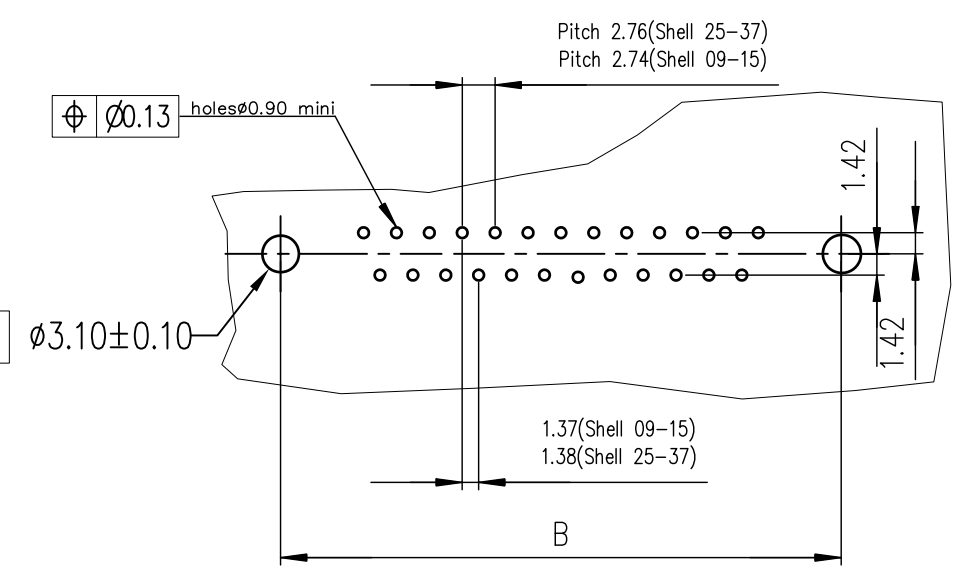


Copyright FCI

FCIconnect.com



PC card drilling dimensions(after plating)  
(thickness 1.60±0.20mm)



SHELL	A±0.38	B±0.12	C±0.10	D±0.25	G±0.25	Plating: 0.76» AU	Plating: Flash AU
09	30.81	24.99	16.96	16.79	5.90	D09P23A6G*00**	D09P23A4G*00**
15	39.14	33.32	25.18	25.12	5.90	D15P23A6G*00**	D15P23A4G*00**
25	53.03	47.04	39.12	38.84	5.70	D25P23A6G*00**	D25P23A4G*00**
37	69.32	63.50	55.68	55.30	5.70	D37P23A6G*00**	D37P23A4G*00**

Threaded ØT M3 = I  
Threaded ØT 4.40 = V  
LF FOR LEAD FREE

**REQUIREMENTS**

Technical characteristics:  
 Shell: Steel Tin/Zinc Cr3 plated  
 Insulators: Self-extinguishing black polyster, ULclass94V0  
 Contacts size 20: brass, gold on mating end, bright tin on termination end over nickel on entire contact  
 Cycles : 500 for protection 6  
           : 200 for protection 4  
 Harpoons: phosphor bronze, tin plated  
 Metal plate for electrical continuity: brass, tin plated  
 Nuts: brass, tin/Zinc Cr3 plated torque: 0.5N/m  
Electrical characteristics:  
 max.current rating: 5A  
 Test voltage: 1000V  
 Rated voltage: 300V  
 Contact resistance: ≤15mΩ  
 Shell resistance: ≤5mΩ  
 Insulation resistance: ≥5000MΩ  
Climatic characteristics:  
 Operating temperature range: -55°c +125°c  
Dimensions:  
 in accordance with MIL-C-24308

FOR ROHS DETAILS REFER DWG.NO: C01-8646-0000

mat'l. code				surface		tolerance		projection		product family	
SEE NOTES				ISO 1302	ISO 406	ISO 1101	MM		DELTA-D		
ltr	ecn no	dr	date	tolerances unless		otherwise specified		title		MALE CONNECTOR DELTA-D	
B	I05-0124	JS	2005/07/27	angles	0.X± 0.1		MM		WITH FEMALE SCREW, HARPOON & METAL BRACKET		
C	I06-0074	SK	2006/06/08	linear	0.XX± 0.1		scale 1:1		dwg no		
D	ELXI-I-15060	AB	2013/06/25	X±1'	0.XXX± 0.1		FCI		sheet 1 of 1		
-				dr	JOHN.SLEEBA	2005/06/14	-		size		
-				engr	GEORGE.V.J	2005/06/14	-		5		
-				chr	ALIAS.BABU	2013/06/25	-		C01-8646-0743		
-				appd	MITHUN.PAUL	2013/06/25	-		A3		
-				type		-		CUSTOMER Drawing		-	
sheet index	revision	D	-	-	-	-	-	-	-	-	-
1	sheet	1	-	-	-	-	-	-	-	-	-

## X-ON Electronics

Largest Supplier of Electrical and Electronic Components

*Click to view similar products for [D-Sub Standard Connectors](#) category:*

*Click to view products by [Amphenol](#) manufacturer:*

Other Similar products are found below :

[56F706-005-LI](#) [56F711-015](#) [012-9507-004](#) [LV242999-142T12](#) [015-0341-000](#) [015-0372-005](#) [015-0372-008](#) [015-8755-001](#) [020419-0104](#)  
[012-0467-000](#) [012-9507-034](#) [012-9507-114](#) [020745-0008](#) [609-25P](#) [CT2-18-11PCAU](#) [CT6-10SL-3SC](#) [CT6-10SL-4SC](#) [CT6-14S-2SC](#)  
[CT6E14SA7SC](#) [CT6N10SL-4SSA34](#) [M83513/01-FC](#) [M83723/76W24619 L/C](#) [M85049/48-3-2F](#) [6STD09PCM99B70X](#) [6STD09SCM99B30X](#)  
[6STD09SCT99S40X](#) [6STD15PCT99S40X](#) [6STD15SCT99S40X](#) [6STF09PCM05B70X](#) [7-135760-9](#) [MC11E-10-6SN](#) [747552-3](#) [MD1-21PS](#)  
[MDM-15SCBRM7-F222](#) [MDM96517-699](#) [MDM96521-744](#) [MDVB1-21SL1](#) [MIK0-1-7SH003](#) [MIKQ6-7SH076](#) [MIKQ7-7PH077](#) [MIKQ7-](#)  
[7PH11](#) [MIKQ7-7PH32](#) [MJSV-28SL61](#) [MKJ4A1F14-55S](#) [8-135760-3](#) [8STD09PCM99B30X](#) [PG-KV/PV-16-GROM-SEALING](#) [GDA15P](#)  
[GDAY15PB](#) [980-0000-170](#)