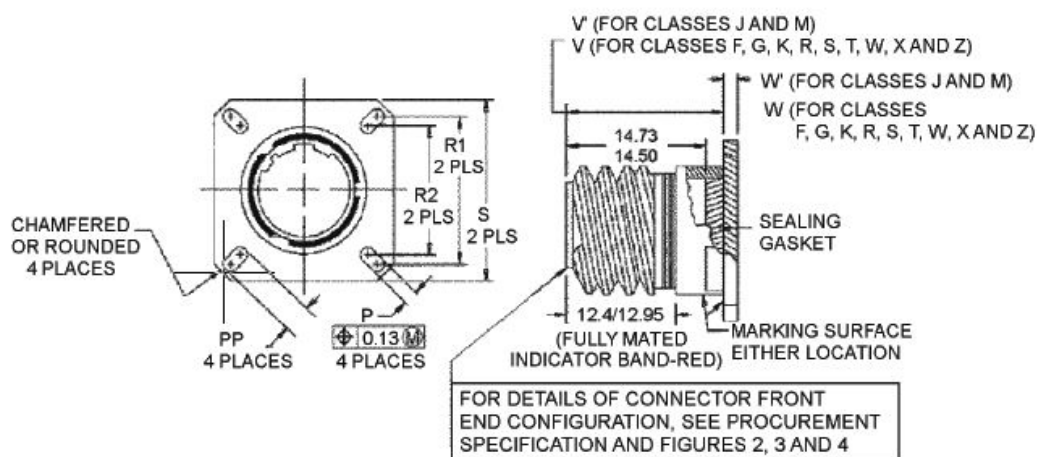


# ELECTRICAL, CIRCULAR, RECEPTACLE, THREADED SERIES III, METRIC

MIL Part Number			
D38999	/22	B	W
MIL Number prefix	Specification sheet number	Shell size code	Class
			Shell size codes A, A1 and A2 for shell size 9 only: • Shell size code A is a universal configuration for use with plugs with mating key polarizations A, B, C, D, E and N. • Shell size code A1 is for use with plugs with mating key polarizations C, E or N. • Shell size code A2 is for use with plugs with mating key polarizations A, B or D.



Shell Size	Class	S ± .3	V +0.00 -0.13	V' +1.4 -0.0	W ± .3	W'
9	A	23.8 (.937)	20.83 (.820)	19.5 (.768)	2.5 (.098)	3.65 (.144) 2.2 (.087)
9	A	23.8 (.937)	20.83 (.820)	19.5 (.768)	2.5 (.098)	3.65 (.144) 2.2 (.087)
9	A	23.8 (.937)	20.83 (.820)	19.5 (.768)	2.5 (.098)	3.65 (.144) 2.2 (.087)
11	B	26.2 (1.031)	20.83 (.820)	19.5 (.768)	2.5 (.098)	3.65 (.144) 2.2 (.087)
13	C	28.6 (1.126)	20.83 (.820)	19.5 (.768)	2.5 (.098)	3.65 (.144) 2.2 (.087)
15	D	31.0 (1.220)	20.83 (.820)	19.5 (.768)	2.5 (.098)	3.65 (.144) 2.2 (.087)
17	E	33.3 (1.311)	20.83 (.820)	19.5 (.768)	2.5 (.098)	3.65 (.144) 2.2 (.087)
19	F	36.5 (1.437)	20.83 (.820)	19.5 (.768)	2.5 (.098)	3.65 (.144) 2.2 (.087)
21	G	39.7 (1.563)	20.07 (.790)	18.7 (.736)	3.2 (.126)	4.35/2.9 (.171/.114)
23	H	42.9 (1.689)	20.07 (.790)	18.7 (.736)	3.2 (.126)	4.35/2.9 (.171/.114)
25	J	46.0 (1.811)	20.07 (.790)	18.7 (.736)	3.2 (.126)	4.35/2.9 (.171/.114)

## X-ON Electronics

Largest Supplier of Electrical and Electronic Components

*Click to view similar products for* [Circular MIL Spec Tools, Hardware & Accessories](#) *category:*

*Click to view products by* [Amphenol](#) *manufacturer:*

Other Similar products are found below :

[0113-201-2025](#) [600-079-06](#) [600-146-06](#) [M10-101983-183](#) [M10-454396-008](#) [602GB18808](#) [CS3102A-22-14PW](#) [M2887615-CD](#) [627-009](#)  
[M38999/9-19B](#) [630A007NF083A](#) [630B007M051A](#) [630BJ003NF032H](#) [637-149NF04B](#) [M39029/29-215](#) [6408-203V-09273](#) [6426-201-11343](#)  
[650FS002NF16](#) [660-008NF14S7-01](#) [660-009M22H8-03](#) [660-013NF19U6-210](#) [660-015M10S6-17](#) [660-015NF10S5-01](#) [660-015NF14R3.5-01](#)  
[660-023NF19H6-19](#) [660-024NF11S12-01](#) [660-024NF11S3-01](#) [660-024NF17S4-109](#) [660-050XM17F4-01](#) [660-068NF25R6-30G](#) [660-](#)  
[070M23S8-04](#) [660-073MTCH9-20](#) [M83723/61-18W](#) [M83723/61-218R](#) [M83723/61-224W](#) [667-084-23C](#) [667-084-35C](#) [667-224NF16](#) [687-](#)  
[697NF-1](#) [M85049/94-10-A](#) [M85049/96-7-A](#) [M855282-10A01A](#) [M85528/2-10B](#) [M855282-18A01A](#) [M85528/2-22A01A](#) [M85528/2-22AA](#)  
[710HS460NF2508](#) [780-001-22G12-SK](#) [780-002-19G12-SK](#) [780-002-20G12SK](#)