

# Amphenol

Connector Accessories

AC ACC11 1211



---

# Amphenol



## Introduction

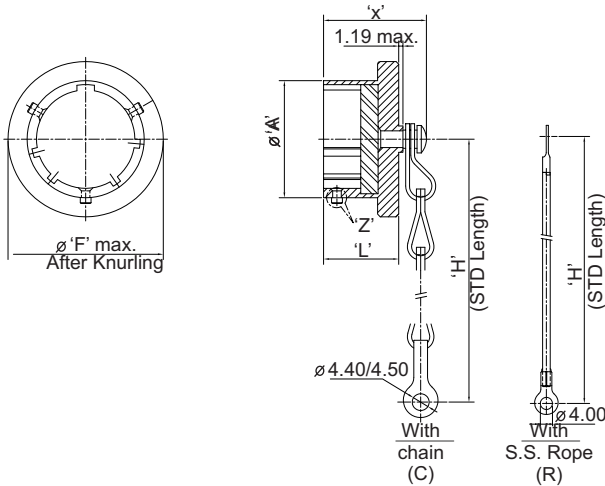
Amphenol India is a leading Designer, Manufacturer and Marketer of Interconnection solutions since 1971. Amphenol is the first Company in India who started manufacturing high performance connectors. These expertise and capabilities enables us to turn your interconnection problems to solutions.

Amphenol Protective caps are developed for environmental protection needs of Circular connectors in Threaded & Bayonet versions. These are designed to meet the requirements of military standards.

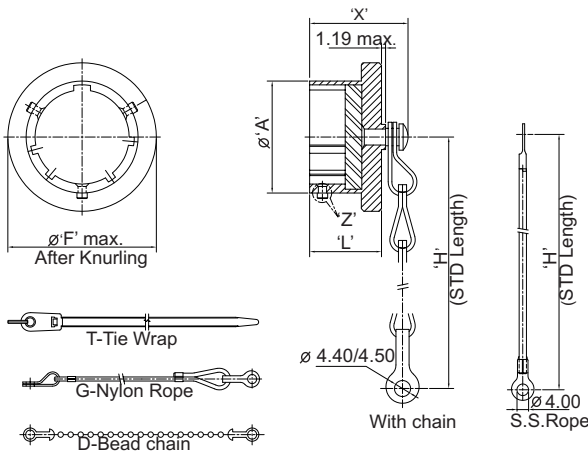
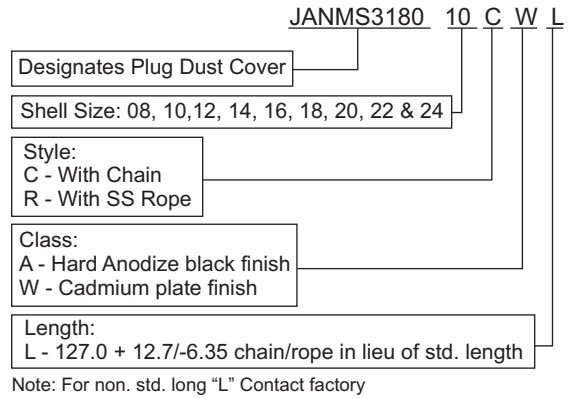
We also offer dummy storage receptacle to secure your cable harness when not in functional use.

This catalogue describes the standard and special purpose designs used in Military and Industrial Circular connectors.

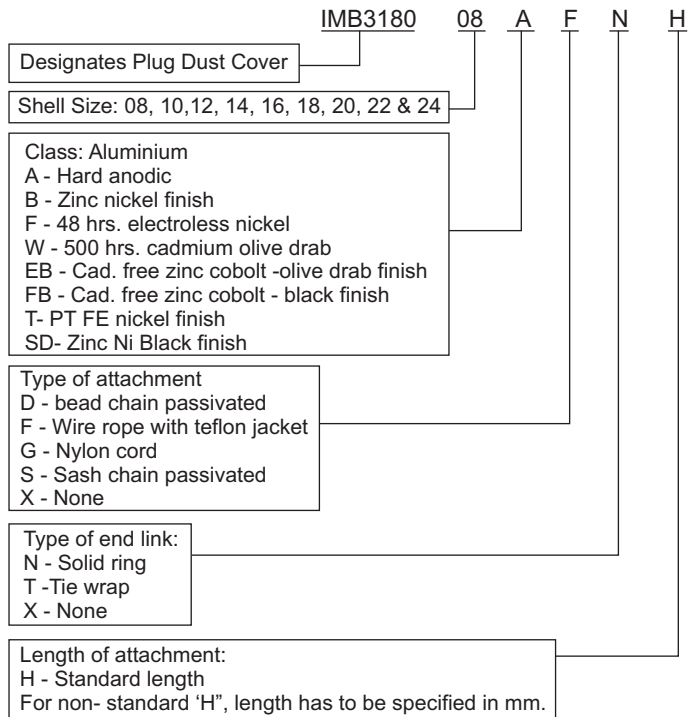
	Page
MIL-C-26482 (MS3180 & MS181) Caps -----	1-2
MIL-DTL-38999 Series I (MS27501 & MS27502) Caps -----	3-4
MIL-DTL-38999 Series II (MS27510 & MS27511) Caps -----	5-6
MIL-DTL-38999 Series III (D38999/32 & D38999/33) Caps -----	7-8
MIL-DTL-5015 Reverse Bayonet Caps (97B-25042 & 97B-25043) Caps -----	9
MIL-DTL-5015 Threaded Caps (MS25042 & MS25043) Caps -----	10
MIL-C-10544 Audio Connector Caps for 10 Pin Caps -----	11
MIL-C-55116 Audio Connector Caps for 5 & 6 Pin Caps -----	12
MIL-DTL-22992 Caps -----	13
MIL-C-26482 & MIL-DTL-5015 Dummy Receptacle -----	14-16
MIL-DTL-38999 Series III Dummy Receptacle -----	16
Insertion & Removal Tool -----	17
Backshell for MIL-DTL-24308 -----	18
Square Flange Gaskets for (MIL-C-26482 & MIL-DTL-5015) -----	19



## Ordering Information (MIL Part Number)



## Ordering Information (Proprietary Part Number)

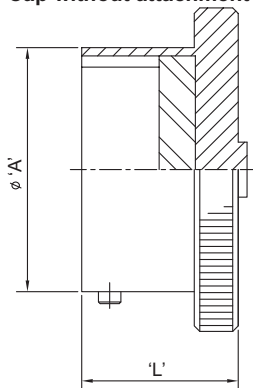


All Dimensions are in mm

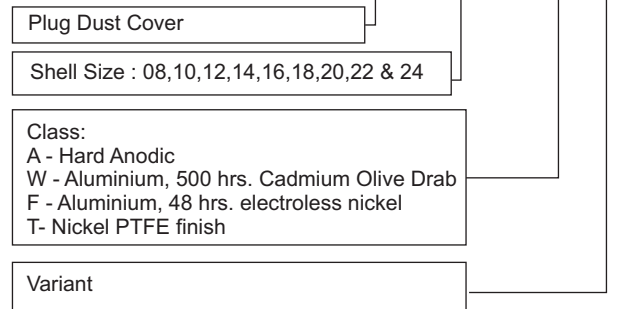
Shell Size	ø A Ref.	ø F Max. Overall.	H +12.70/-6.35	L Max. Length	X Max. Overall	ø F +0.00/-0.08 For Heavy Duty
08	12.01	18.26	76.20	14.27	19.84	22.10
10	14.99	21.44				24.86
12	19.05	25.40				29.24
14	22.22	28.58				32.41
16	25.40	31.75	101.60	15.88	21.44	35.58
18	28.58	34.92				38.22
20	31.75	38.10				41.94
22	34.92	41.28				45.11
24	38.10	44.45		16.71	22.22	48.18

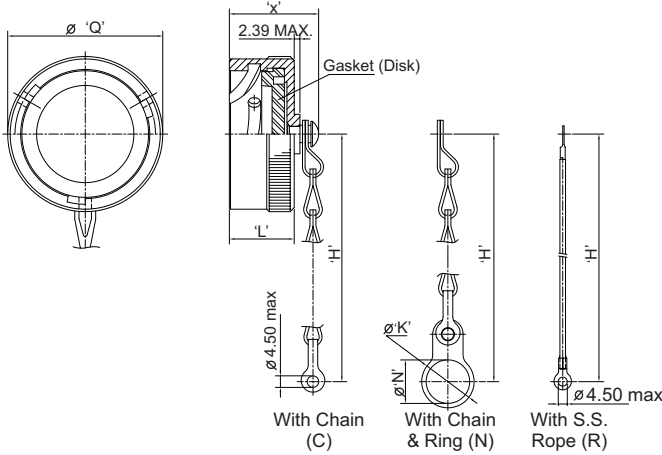
All Dimensions for reference only

### Cap without attachment



## Ordering information IMB3180 -08 - A - V1



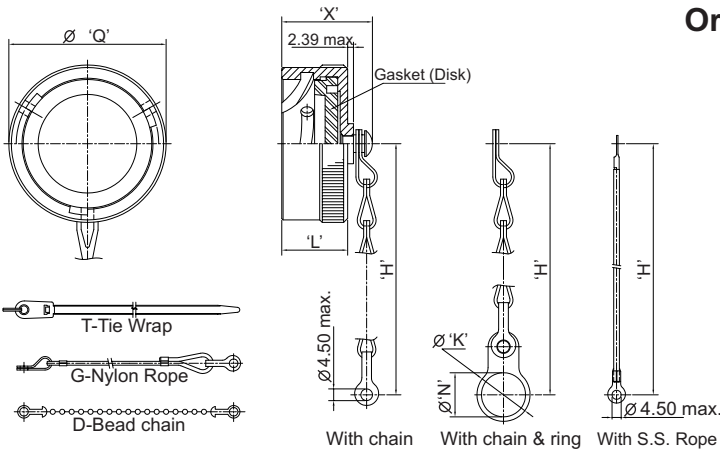


## Ordering Information (MIL Part Number)

JANMS3181 10 C W L

- Designates Receptacle Dust Cover
- Shell Size: 08, 10, 12, 14, 16, 18, 20, 22 & 24
- Style:
  - C - With Chain
  - N - With Chain & Ring
  - R - With SS Rope
- Class:
  - A - Hard Anodize black finish
  - W - Cadmium plate finish
- Length:
  - L - 127.0 + 12.7/-6.35 chain/rope in lieu of std. length
  - Leave blank for std.length

Note: For non. std. long "L" Contact factory



## Ordering Information (Proprietary Part Number)

IMB3181 08 A F N H

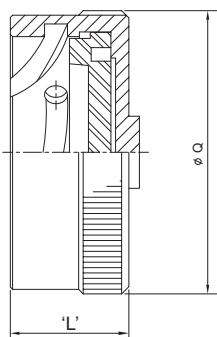
- Designates Receptacle Duct Cover
- Shell Size: 08, 10, 12, 14, 16, 18, 20, 22 & 24
- Class: Aluminium
  - A - Hard anodic
  - B - Zinc nickel finish
  - F - 48 hrs. electroless nickel
  - W - 500 hrs. cadmium olive drab
  - EB - Cad. free zinc cobolt -olive drab finish
  - FB - Cad. free zinc cobolt - black finish
  - T- PT FE nickel finish
  - SD- Zinc Ni Black finish
- Type of attachment:
  - D -Bead chain passivated
  - F - Wire rope with teflon jacket
  - G - Nylon cord
  - S - Sash chain passivated
  - X - None
- Type of end link:
  - N - Solid ring
  - T -Tie wrap
  - X - None
- Length of attachment:
  - H - Standard length
  - For non- standard 'H', length has to be specified in mm.

All Dimensions are in mm

Shell Size	H +12.70/-6.35	Ø K MAX.	L Max.	Ø N MIN	Ø Q MIN	X Max.
08	20.62	14.68	18.64			
10	76.20	25.40		17.86	21.82	
12		30.18	14.27	22.63	25.40	
14		36.67		25.81	28.58	21.44
16	88.90	39.67		28.98	31.75	
18		42.88		32.16	34.92	
20		46.02		35.33	38.10	
22	101.60	49.23		38.51	41.28	
24		52.37	15.29	41.68	44.45	22.22

All Dimensions for reference only

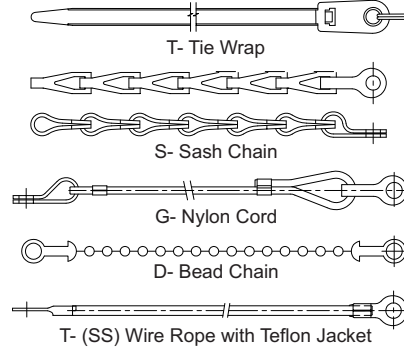
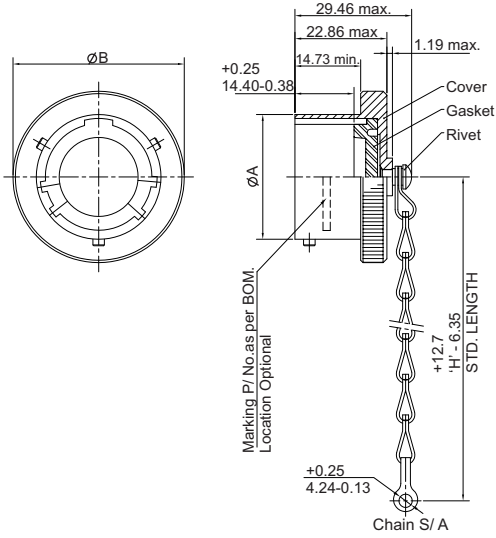
### Cap without attachment



## Ordering information IMB3181 -08 - A - V1

- Designates: Receptacle Dust Cover
- Shell Size : 08,10,12,14,16,18,20,22 & 24
- Class:
  - A - Hard Anodic
  - W - Aluminium, 500 hrs. Cadmium Olive Drab
  - F - Aluminium, 48 hrs. electroless nickel
  - T- Nickel PTFE finish
- Variant

## STYLE 'C'

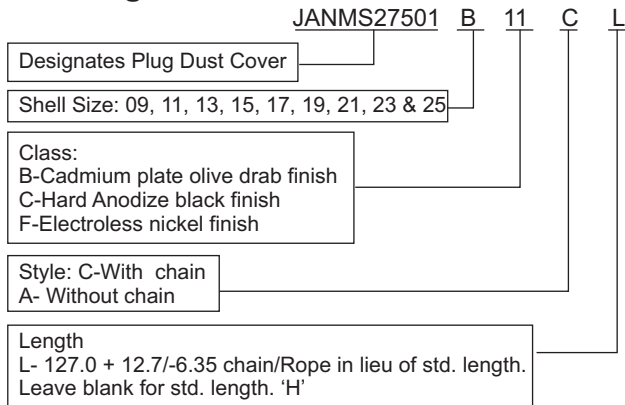


All Dimensions are in mm

Shell Size	$\phi$ 'A' +0.02 -0.13	$\phi$ 'B' max	H +12.70 -6.35
09	14.53	18.29	76.20
11	17.78	21.59	
13	21.59	25.40	88.90
15	24.77	28.70	
17	27.94	31.75	
19	30.66	35.05	
21	33.83	38.10	101.60
23	37.01	41.40	
25	40.18	44.45	

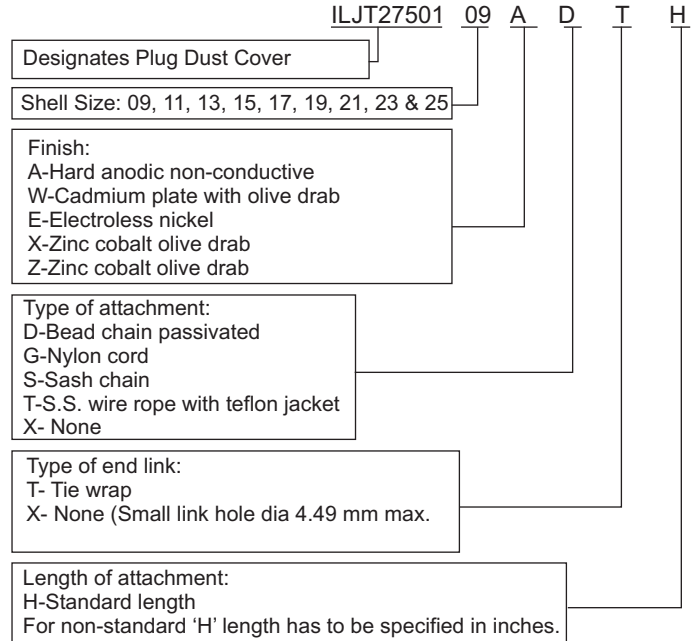
All Dimensions for reference only

## Ordering Information

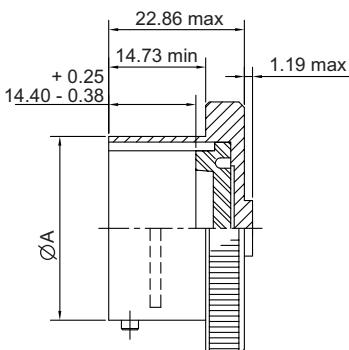


Note: For non-standard long 'L' contact factory.

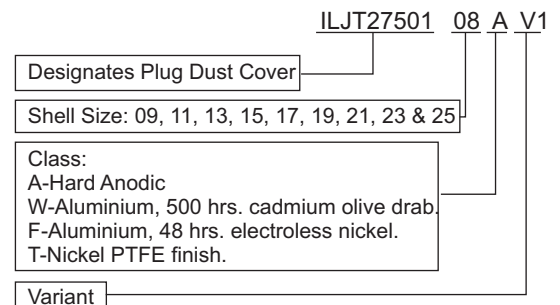
## Ordering Information (Proprietary)



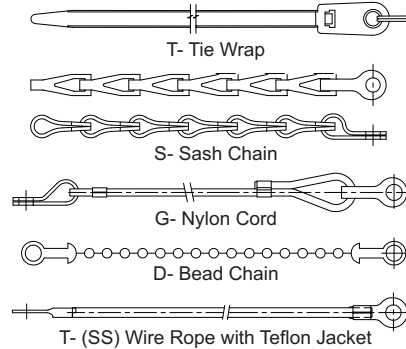
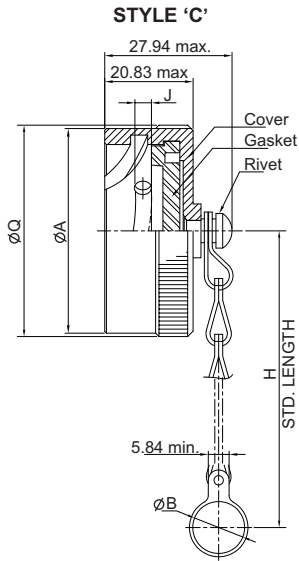
## Cap without attachment



## Ordering Information





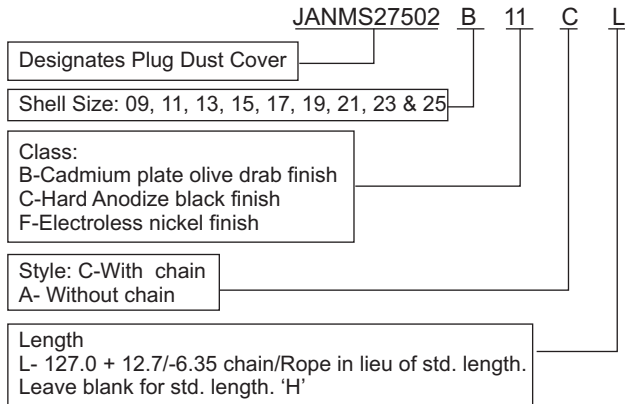


All Dimensions are in mm

Shell Size	Ø 'A' max.	Ø'B' min	H +12.70 -6.35	J ±0.38	Ø'B' max
09	19.81	17.78	76.20	2.67	21.84
11	22.99	21.34			24.89
13	26.95	25.65			29.46
15	30.12	28.96	88.90		32.51
17	33.05	32.00			35.81
19	36.12	35.31	101.60		38.61
21	39.22	38.35		41.91	
23	42.34	41.66		44.96	
25	45.54	44.70		3.51	48.01

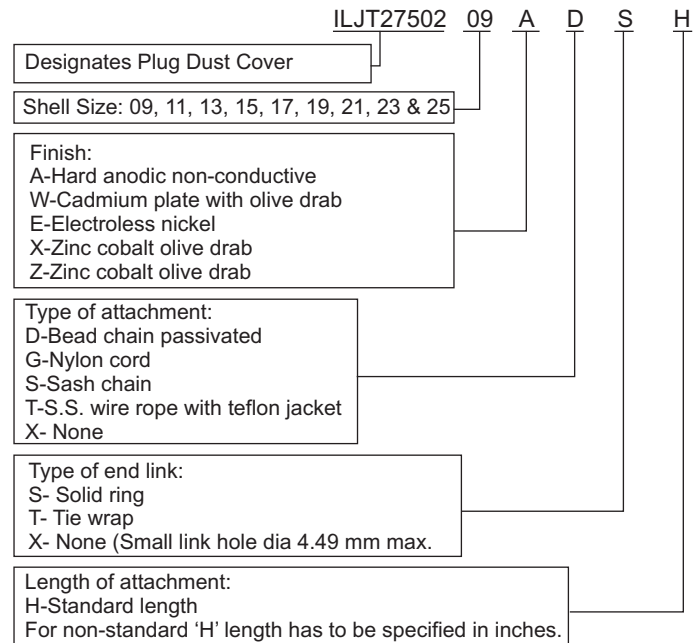
All Dimensions for reference only

## Ordering Information (MIL Part Number)

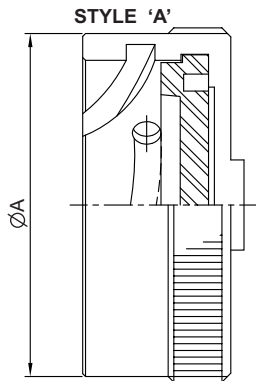


Note: For non-standard long 'L' contact factory.

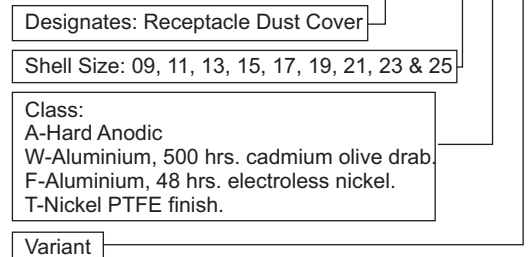
## Ordering Information (Proprietary Part Number)

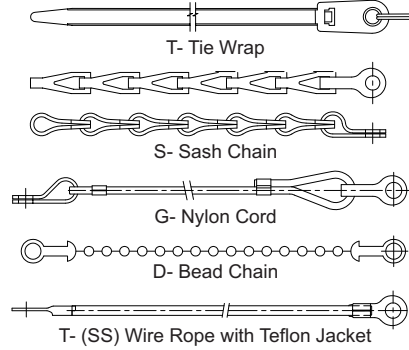
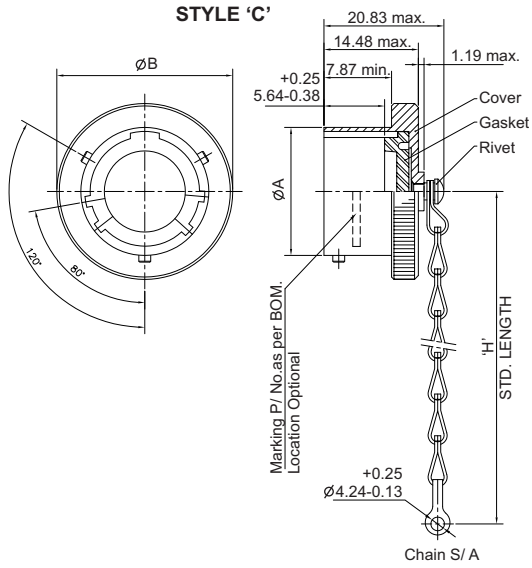


## Cap without attachment



## Ordering Information ILJT27502 09 A V1



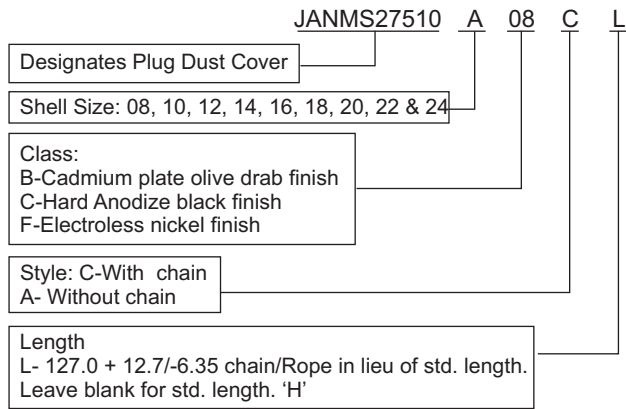


All Dimensions are in mm

Shell Size	Ø 'A' +0.02 -0.13	Ø'B' max OVERALL	H +12.70 -6.35
08	12.01	18.29	76.20
10	14.99	21.59	
12	19.05	25.40	
14	22.22	28.70	88.90
16	25.40	31.75	
18	28.58	35.05	
20	31.75	38.10	101.60
22	34.92	41.40	
24	38.10	44.45	

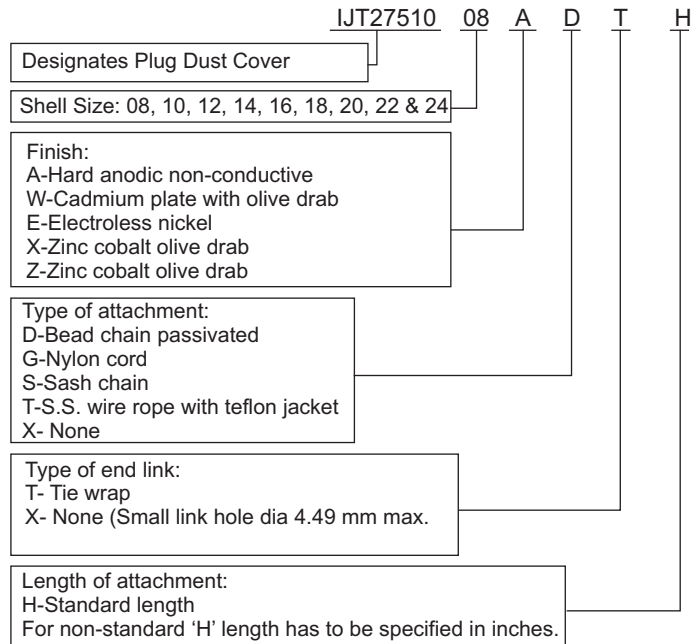
All Dimensions for reference only

## Ordering Information (MIL Part Number)

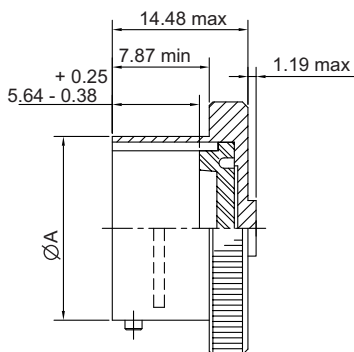


Note: For non-standard long 'L' contact factory.

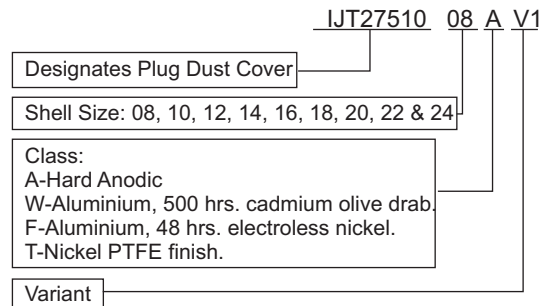
## Ordering Information (Proprietary Part Number)



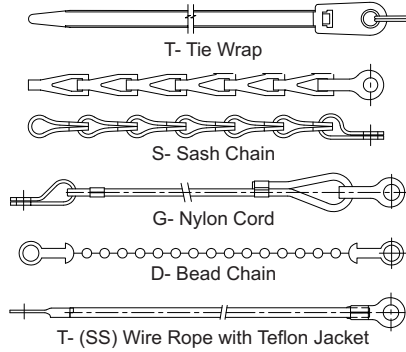
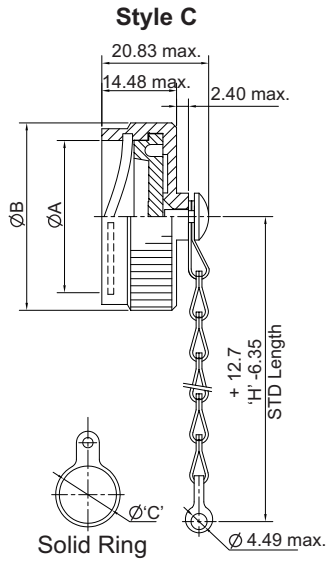
## Cap without attachment



## Ordering Information





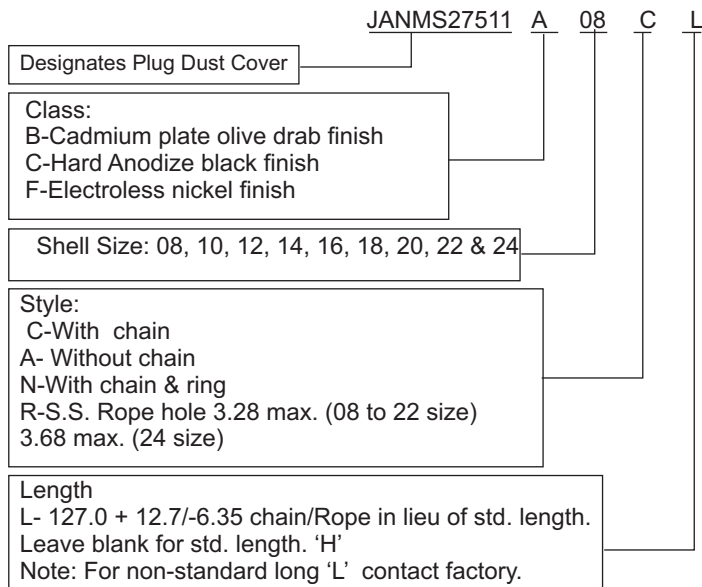


All Dimensions are in mm

Shell Size	Ø 'A' max.	Ø 'B' min	'C' max	H max.
08	16.00	19.05	22.61	76.20
10	19.23	21.82	25.65	
12	23.77	26.19	28.96	
14	27.28	29.36	32.0	88.90
16	29.77	32.54	35.31	
18	33.12	35.71	38.35	
20	36.45	38.89	41.66	101.60
22	39.62	41.68	44.70	
24	42.88	44.86	48.0	

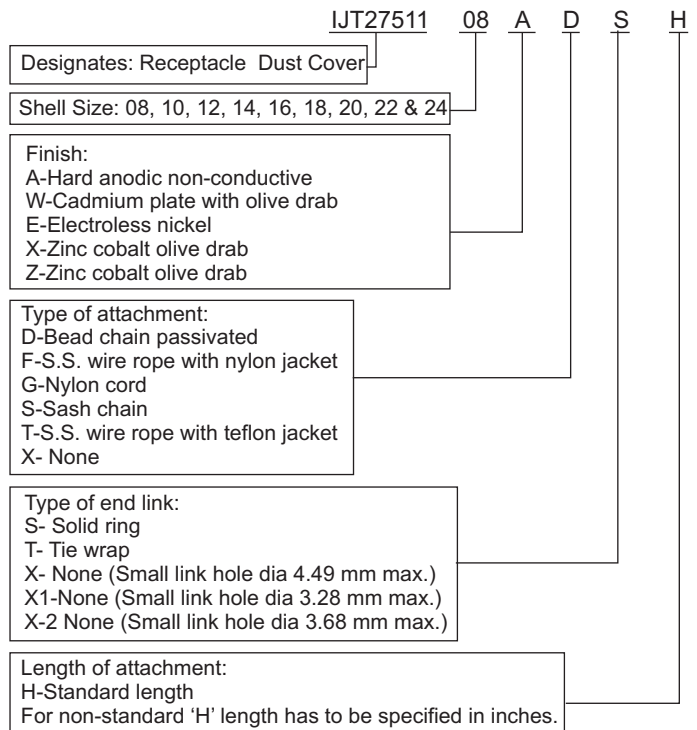
All Dimensions for reference only

## Ordering Information (MIL Part Number)

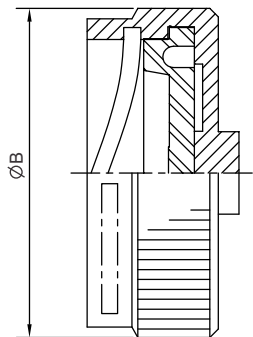


Note: For non-standard long 'L' contact factory.

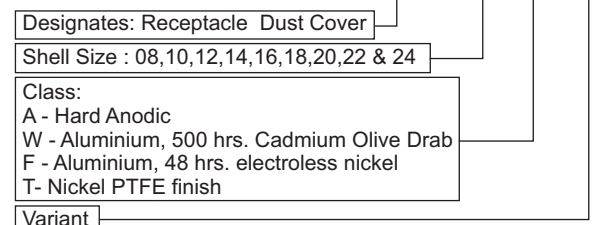
## Ordering Information (Proprietary Part Number)

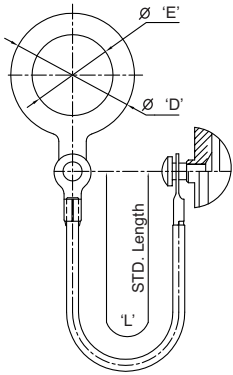


## Cap without attachment

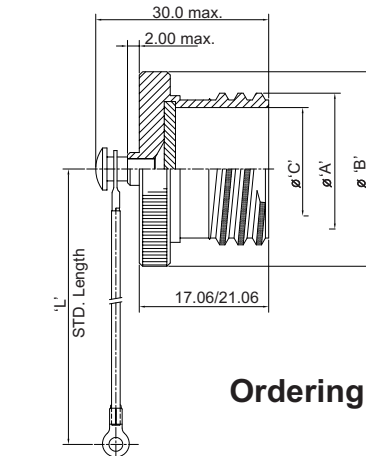


## Ordering information IJT27511 - 08 - A - V1





(Alternate Type For Jam Nut Type Only)  
S.S. Rope with Ring  
Teflon Coating (N)



S.S. Rope  
With Teflon Coating (R)

## Ordering Information (Proprietary Part Number)

ITV32 09 A F N H

Designates Plug Dust Cover

Shell Size: 09, 11, 13, 15, 17, 19, 21, 23, & 25

**Class**  
Aluminium  
A - Hard seal nickel finish  
B - Zinc nickel finish cadmium olive drab  
F - 48 hrs. electroless nickel  
T - PTFE Nickel Plating  
W - 500 Hrs. cadmium olive drab  
EB - Cad. free zinc cobalt -olive drab finish  
FB - Cad. free zinc cobalt - black finish  
T- PT FE nickel finish  
SD- Zinc Ni Black finish  
**Composite**  
J - Composite cadmium olive drab  
M - Composite electroless nickel  
NB - Nickel Aluminum Bronze  
CD - S. Steel Passivated

**Type of attachment**  
D - Bead chain passivated  
F - Wire rope with teflon jacket  
G - Nylon cord  
S - Sash chain passivated  
X - None

**Type of end link**  
N - Solid ring  
T - Tie wrap  
X - None

**Length of attachment**  
H - Standard length  
For non-standard 'H' length has to be specified in mm.

All Dimensions are in mm

Shell Size	'A' Thread -2A -0.1P -0.3L-TS	ØB Max	'C' +0.0 -0.15	ØD Max	ØE Min	'L' + 13.0 -7.0
09	0.625"	23.0	12.50	24.0	13.0	127
11	0.750"	26.0	15.75	27.0	18.0	
13	0.875"	31.0	19.53	30.0	20.0	
15	1.000"	33.0	22.71	31.0	23.0	
17	1.1875"	37.0	25.88	37.0	26.0	
19	1.250"	40.0	28.55	40.0	29.0	
21	1.375"	44.0	31.72	44.0	32.0	
23	1.500"	46.0	34.80	45.0	34.0	
25	1.625"	50.0	38.07	49.0	39.0	

All Dimensions for reference only

## Ordering Information (MIL Part Number)

JAND38999/32 W 15 R

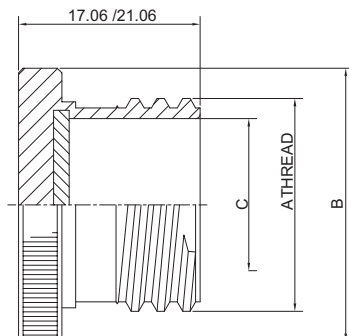
Designates Plug Dust Cover

**Class:-**  
F - Electroless nikel finish.  
W- Aluminium,500 hrs cadmium olive drab.

Shell Size : 09,11,13,15,17,19,21,23,&25

**Style-**  
R - Rope  
N - With rope & ring.

## Cap without attachment



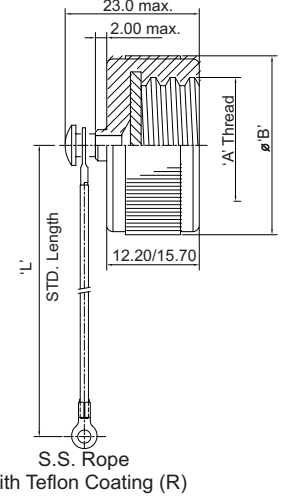
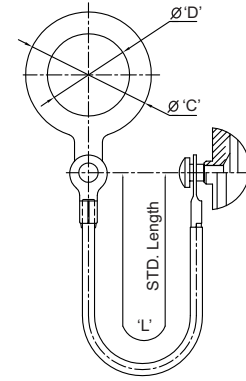
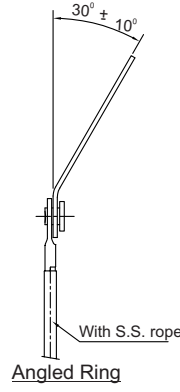
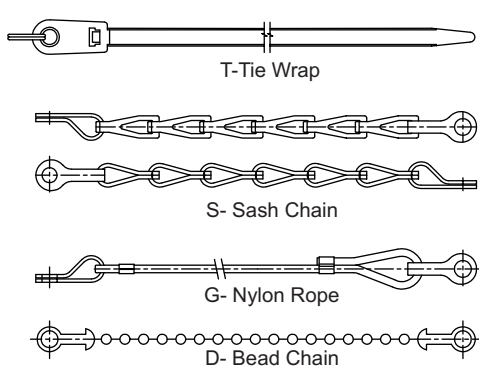
## Ordering information ITV32 - 09 - A - V1

Designates Plug Cover

Shell Size : 09,11,13,15,17,19,21,23 & 25

**Class:**  
A - Hard Anodic  
W - Aluminium, 500 hrs. Cadmium Olive Drab  
J - Composite cadmium olive drab  
M - Composite electroless nickel  
F - Aluminium, 48 hrs. electroless nickel  
EB - Zinc Cobalt Loive drab  
T- Nickel PTFE finish

Variant



(Alternate Type For Jam Nut Type Only)  
S.S. Rope with Ring  
Teflon Coating (N)

All Dimensions are in mm

Shell Size	'A' Thread -2A-0.1P -0.3L-TS	ØB Max	'C' Max	ØD Min	'L' +13.0 -7.0
09	0.625"	23.0	27.0	17.64	127
11	0.750"	28.0	32.0	21.97	
13	0.875"	31.0	37.0	25.15	
15	1.000"	32.0	40.0	29.92	
17	1.1875"	37.0	44.0	32.0	
19	1.250"	39.0	46.0	36.27	
21	1.375"	42.0	49.0	38.25	
23	1.500"	45.0	54.0	42.62	
25	1.625"	49.0	56.0	44.45	

All Dimensions for reference only

## Ordering Information (Proprietary Part Number)

ITV33 09 A F N H

Designates Receptacle Dust Cover

Shell Size: 09, 11, 13, 15, 17, 19, 21, 23, & 25

Class  
Aluminium  
A - Hard seal nickel finish  
B - Zinc nickel finish cadmium olive drab  
F - 48 hrs. electroless nickel  
T - PTFE Nickel Plating  
W - 500 Hrs. cadmium olive drab  
EB - Cad. free zinc cobalt -olive drab finish  
FB - Cad. free zinc cobalt - black finish  
T-PTFE nickel finish  
SD- Zinc Ni Black finish  
Composite  
J - Composite cadmium olive drab  
M - Composite electroless nickel  
NB - Nickel Aluminum Bronze  
CD - S. Steel Passivated

Type of attachment  
D - Bead chain passivated  
F - Wire rope with teflon jacket  
G - Nylon cord  
S - Sash chain passivated  
X - None

Type of end link  
N - Solid ring  
T - Tie wrap  
X - None

Length of attachment  
H - Standard length  
For non-standard 'H' length has to be specified in mm.

## Ordering Information (MIL Part Number)

JAND38999/33 W 15 R

Designates Receptacle Dust Cover

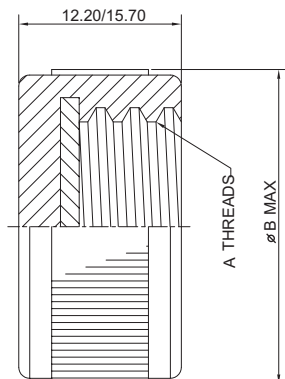
Class:-  
F - Electroless nickel finish.  
W- Aluminium, 500 hrs cadmium olive drab.

Shell Size : 09,11,13,15,17,19,21,23,&25

Style-  
R - Rope  
N - With rope & ring.

Note: For non. std. long "L" Contact factory

## Cap without attachment



## Ordering information ITV33 - 09 - A - V1

Designates Receptacle Cover

Shell Size : 09,11,13,15,17,19,21,23 & 25

Class:  
A - Hard Anodic  
W - Aluminium, 500 hrs. Cadmium Olive Drab  
J - Composite cadmium olive drab  
M - Composite electroless  
F - Aluminium, 48 hrs. electroless nickel  
T - Nickel PTFE finish

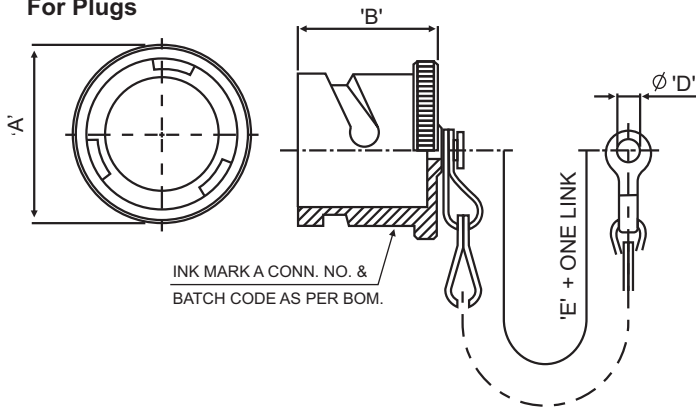
Variant

## Other Accessories

### Protective cap for 97B series

#### 97B-25042

#### For Plugs



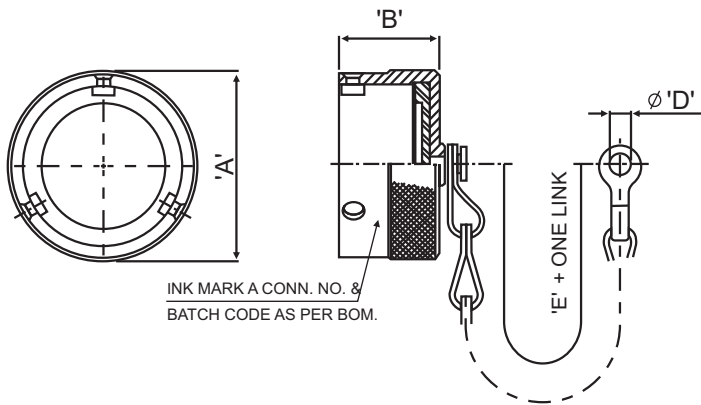
All dimensions are in mm

PART NUMBER	SHELL SIZE	'A' MAX.	'B' MAX.	'D' + 0.60/-0	'E' MIN.
97 B - 25042 - 10SL	10 SL	21.0	23.50	4.30	90.0
97 B - 25042 - 14S	14 S	27.50			100.0
97 B - 25042 - 16S	16 S	30.0			115.0
97 B - 25042 - 16	16	33.50	31.50	4.70	130.0
97 B - 25042 - 18	18	37.0			
97 B - 25042 - 20	20	40.0			
97 B - 25042 - 22	22	43.0			
97 B - 25042 - 24	24	49.50		5.50	190.0
97 B - 25042 - 28	28	56.0			
97 B - 25042 - 32	32	62.50			
97 B - 25042 - 36	36	68.50			
97 B - 25042 - 40	40	68.50			

### Protective Cap For 97B Series

#### 97B-25043

#### For Receptacle



All dimensions are in mm

PART NUMBER	SHELL SIZE	'A' MAX.	'B' ± 0.20	'D' + 0.60/-0	'E' MIN.
97 B - 25043 - 10SL	10 SL	23.0	16.0	4.30	90.0
97 B - 25043 - 14S	14 S	30.0			100.0
97 B - 25043 - 16S	16 S	32.50			115.0
97 B - 25043 - 16	16	37.0	20.70	5.50	160.0
97 B - 25043 - 18	18	40.50			
97 B - 25043 - 20	20	43.50			
97 B - 25043 - 22	22	47.0			
97 B - 25043 - 24	24	54.0			
97 B - 25043 - 28	28	60.50			
97 B - 25043 - 32	32	67.0			
97 B - 25043 - 36	36	73.0			
97 B - 25043 - 40	40	73.0			

Note :- Please add 07 suffix for bigger end link. Applicable for Jam Nut

#### 97B-25043-XX-624-LXX-V1

97B- Reverse Bayonet caps  
MS- Threaded Caps

25042 - Caps for plug  
25043 - Caps for receptacle

Shell Size 10sl To 36

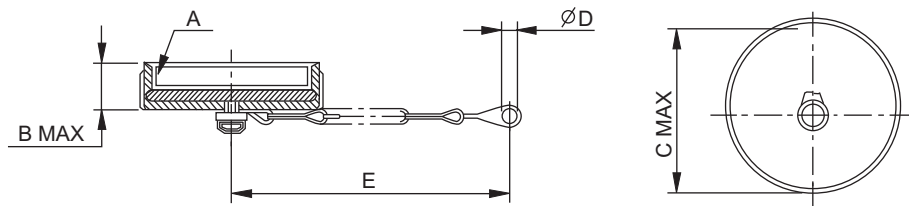
Cap w/o chain & rivet hole

For non - std length specified in cm.

A23 Electroless Nickel Finish  
624 : Zn CO Black  
622 : Zn Co Green  
610 : Hard Anodize finish  
(Standard supplied Cadmium green colour)

## Protective Cap For MS Series MS-25043

**For receptacles** Has internal threads and is used on all receptacles. Gasket is provided in the dust cap forming a watertight seal.

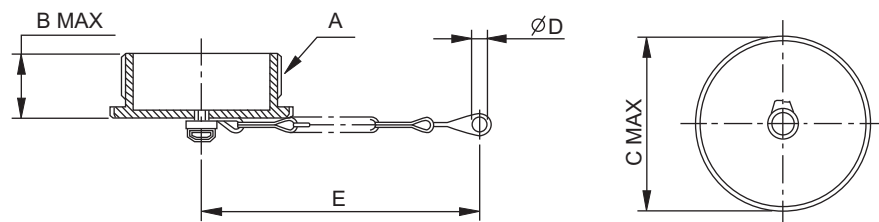


All dimensions are in mm

MS Part number	Shell size	A Thread in inches	B	C	D	E
MS 25043-10	10S	5/8-24	11.11	20.7	3.6	102
MS 25043-12	12S	3/4- 20	11.11	25.4	3.6	115
MS 25043-14	14S	7/8-20	11.11	28.6	3.6	115
MS 25043-16	16-16S	1-20	11.11	30.2	3.6	115
MS 25043-18	18	1 1/8-18	11.11	34.1	3.6	115
MS 25043-20	20	1 1/4-18	11.11	37.3	4.4	127
MS 25043-22	22	1 3/8-18	11.11	40.4	4.4	127
MS 25043-24	24	1 1/2-18	11.11	43.6	4.4	140
MS 25043-28	28	1 3/4-18	12.7	50	4.4	197
MS 25043-32	32	2-18	12.7	56.3	4.8	197
MS 25043-36	36	2 1/4-18	12.7	62.7	4.8	197
MS 25043-40	40	2 1/2-16	12.7	69	4.8	197

## Other Accessories Protective cap for MS series MS-25042

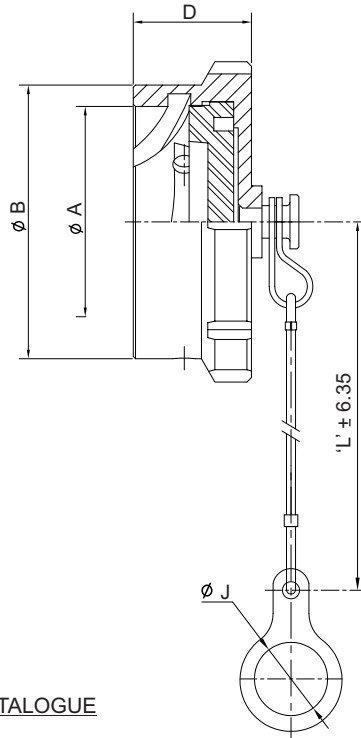
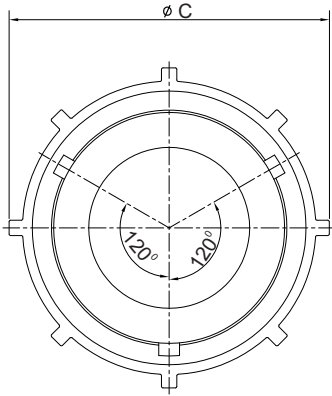
**For plugs** Has external threads and is used on all plugs where a coupling ring is provided.



All dimensions are in mm

MS Part number	Shell size	A Thread in inches	B	C	D	E
MS 25042-10	10S-1-SL	5/8-24	16.67	17.4	4	102
MS 25042-12	12-12S	3/4- 20	21.4	20.6	4	115
MS 25042-14	14-14S	7/8-20	21.4	23.7	4	115
MS 25042-16	16-16S	1-20	21.4	26.9	4	115
MS 25042-18	18	1 1/8-18	21.4	30	4	115
MS 25042-20	20	1 1/4-18	21.4	33	4.8	127
MS 25042-22	22	1 3/8-18	21.4	36.4	4.8	127
MS 25042-24	24	1 1/2-18	21.4	39.6	4.8	140
MS 25042-28	28	1 3/4-18	21.4	46	4.8	197
MS 25042-32	32	2-18	21.4	52	5.6	197
MS 25042-36	36	2 1/4-18	21.4	58.7	5.6	197
MS 25042-40	40	2 1/2-16	21.4	65	5.6	197

# MIL C26482 Heavy Duty Cap 62IN - 1069 - XX For Receptacle



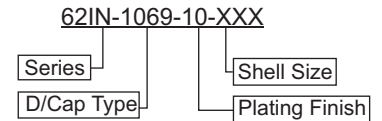
FOR OTHER DETAILS & CONN. SPEC. REF. OUR 62IN CATALOGUE

All Dimensions are in mm

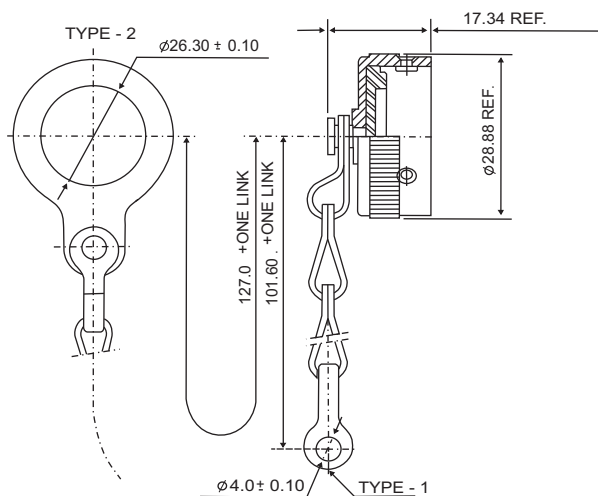
Shell Size	$\phi$ 'A' Min.	$\phi$ 'B'	$\phi$ 'C' Max	$\phi$ 'D' $\pm 0.25$	$\phi$ 'J' $\pm 0.25$	'L' LENGTH
08	12.22	17.60	22.66	13.13	14.69	76.20
10	15.29	20.35	26.84		17.86	
12	19.33	24.50	29.01		22.64	
14	22.48	27.90	32.19		25.81	
16	25.05	31.07	36.94		28.99	
18	28.85	33.33	39.70		32.16	
20	32.0	36.89	42.85		35.35	
22	35.18	40.06	45.65	38.51	101.60	
24	38.35	43.14	48.82	41.68		

All Dimensions for reference only

## Ordering Information



## MIL-C 1054 Dust Cap for 10 Pin Audio Connector



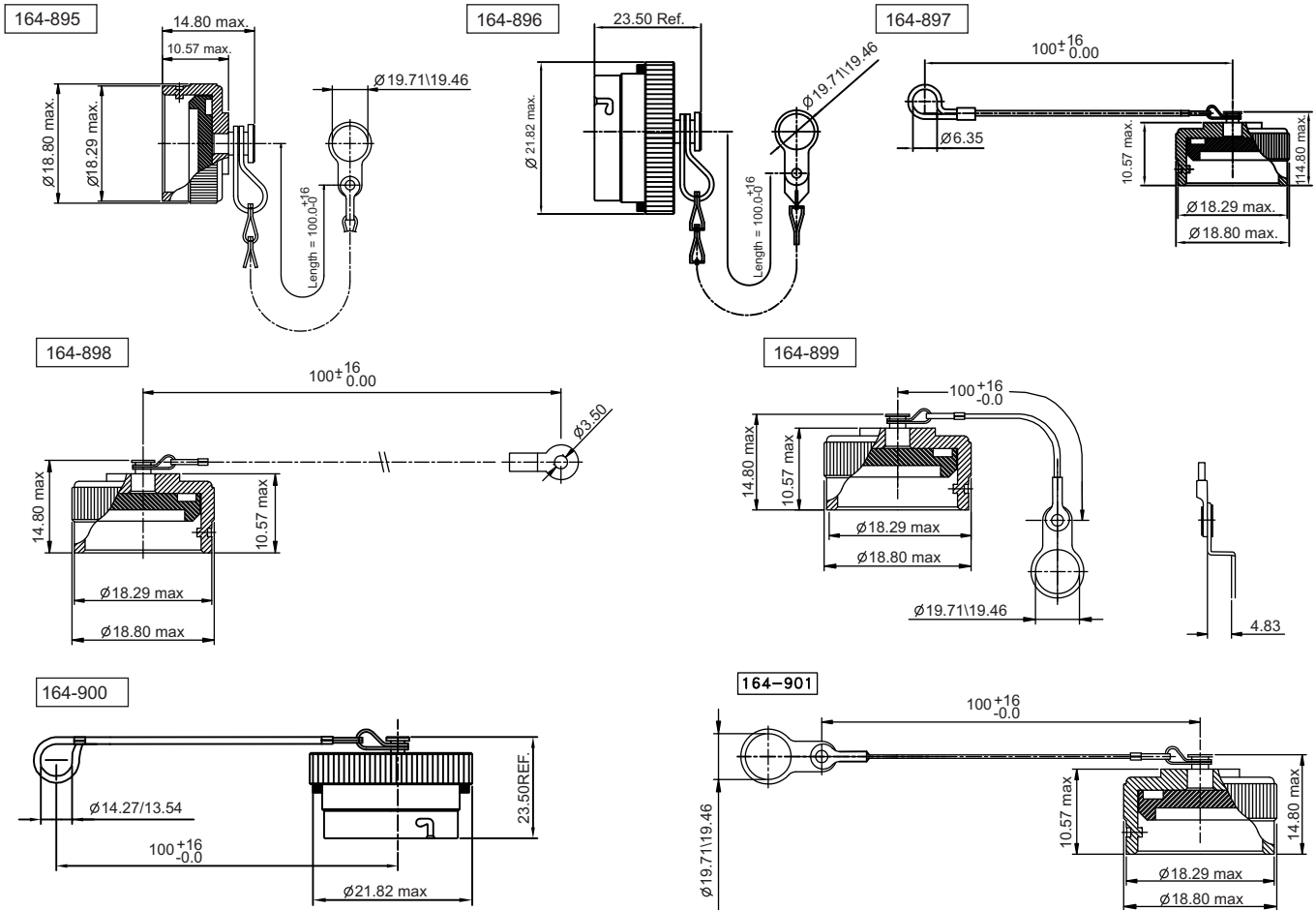
All dimensions in mm

Table 1

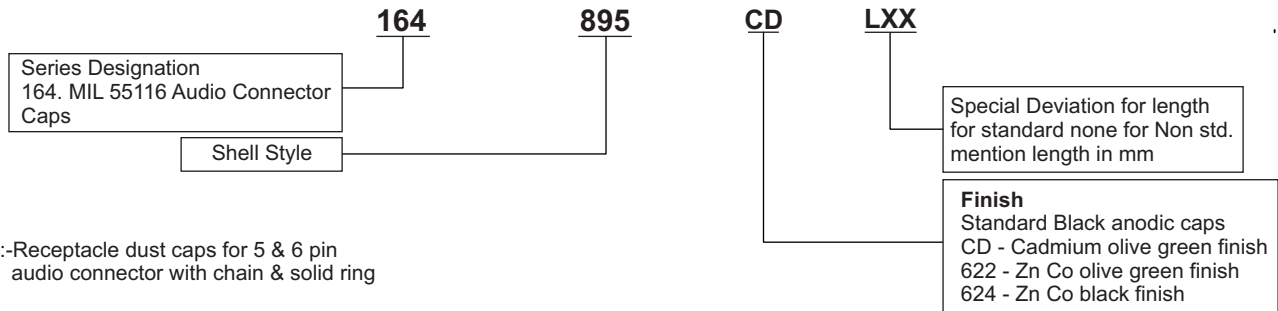
Dust Cap No.	Link Type	Cap Finish
164-377	Type-2	Black Anodised
164-377-714	Type-2	Cadmium Plate with Electroless Under Coat
164-377-01	Type-1	Black Anodised
164-377-01-714	Type-1	Cadmium Plate with Electroless Under Coat



# MIL DTL - 55116 Protective Caps For Audio connector (5 & 6 Pin)



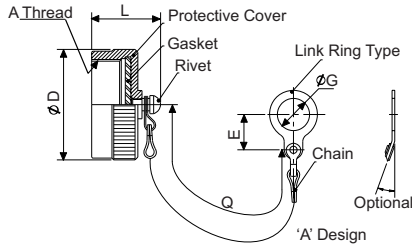
## ORDERING INFORMATION FOR 164 DUST CAP



- 895:-Receptacle dust caps for 5 & 6 pin audio connector with chain & solid ring
- 896:-Plug dust caps for 5 & 6 pin audio connector with chain & solid ring
- 897:-Receptacle dust caps for 5 & 6 pin audio connector with nylon rope & loop
- 898:-Receptacle dust caps for 5 & 6 pin audio connector with nylon rope & SS lug
- 899:-Receptacle dust caps for 5 & 6 pin audio connector with SS rope & lug
- 900:-Plug dust caps for 5 & 6 pin audio connector with SS rope & loop
- 901:-Receptacle dust caps for 5 & 6 pin audio connector with nylon rope & solid ring

MATERIAL	
Cover	: Machined Alluminium Alloy
Gasket	: Silicon elastomer
Chain	: Stainless steel passivated
Ring	: Stainless steel passivated
SS Rope	: Stainless steel teflon coated
Rope	: Nylon (olive green)
Fastners	: Stainless steel passivated

## Receptacle Dustcap (AQWLD-17349)



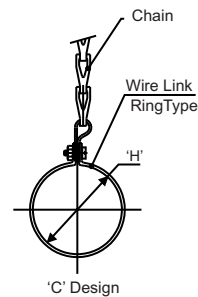
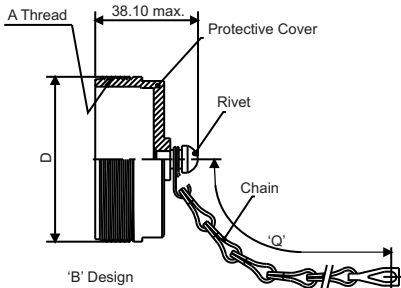
All dimensions are in mm

Amphenol Part No.	MS Part No.	A Thread 2B Double Start	ØD MAX.	E MIN.	L MAX.	ØG MIN.	Q
AQWLD-17349C12*	MS17349C12*	0.875-0.1P-0.2L-DS	27.80	21.10	19.43	25.80	127.00
AQWLD-17349C14*	MS17349C14*	1.000-0.1P-0.2L-DS	31.00	22.10		29.00	
AQWLD-17349C16*	MS17349C16*	1.1250-0.1P-0.2L-DS	34.10	24.60		32.20	
AQWLD-17349C18*	MS17349C18*	1.250-0.1P-0.2L-DS	37.30	25.70		35.30	
AQWLD-17349C20*	MS17349C20*	1.375"-0.1P-0.2L-DS	39.70	28.40		38.50	
AQWLD-17349C22*	MS17349C22*	1.500"-0.1P-0.2L-DS	42.90	30.20	24.90	41.70	152.40
AQWLD-17349C24*	MS17349C24*	1.750-0.1P-0.2L-DS	49.30	33.80		48.00	
AQWLD-17349C28*	MS17349C28*	2.000"-0.1P-0.2L-DS	56.40	37.60		54.40	
AQWLD-17349C32*	MS17349C32*	2.250-0.1P-0.2L-DS	62.70	41.10		60.70	
AQWLD-17349C36*	MS17349C36*	2.500-0.1P-0.2L-DS	69.10	45.00		67.10	
AQWLD-17349C40*	MS17349C40*	2.750-0.1P-0.2L-DS	75.40	48.50		73.40	

\*Add attaching ring A, B, or C.

## Plug Dustcap (AQWLD-17350)

All dimensions are in mm



Amphenol Part No.	MS Part No.	A Thread 2A Double Start	ØD MAX.	ØH MIN.	Q -0.0 +1 LINK
AQWLD-17350C10*	MS17350C10*	0.750-0.1P-0.2L-DS	20.60	18.30	127.00
AQWLD-17350C12*	MS17350C12*	0.875-0.1P-0.2L-DS	23.80	21.40	
AQWLD-17350C14*	MS17350C14*	1.000-0.1P-0.2L-DS	27.00	24.70	
AQWLD-17350C16*	MS17350C16*	1.1250-0.1P-0.2L-DS	30.20	27.70	
AQWLD-17350C18*	MS17350C18*	1.250-0.1P-0.2L-DS	33.30	30.90	
AQWLD-17350C20*	MS17350C20*	1.375"-0.1P-0.2L-DS	36.50	34.00	152.40
AQWLD-17350C22*	MS17350C22*	1.500"-0.1P-0.2L-DS	39.70	37.30	
AQWLD-17350C24*	MS17350C24*	1.750-0.1P-0.2L-DS	46.00	43.60	
AQWLD-17350C28*	MS17350C28*	2.000"-0.1P-0.2L-DS	52.40	50.00	
AQWLD-17350C32*	MS17350C32*	2.250-0.1P-0.2L-DS	58.70	56.30	
AQWLD-17350C36*	MS17350C36*	2.500-0.1P-0.2L-DS	65.10	62.70	
AQWLD-17350C40*	MS17350C40*	2.750-0.1P-0.2L-DS	71.40	70.60	

\*Add attaching ring A, B, or C.

**Series**  
AQWLD

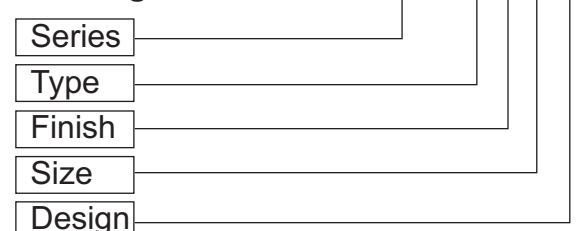
**Type**  
AQWLD 17349 - Cap for Receptacle  
AQWLD 17350 - Cap for Plug

**Finish**  
N - Black Anodized (Non-conductive)  
C - Cadmium over electroless nickel (Conductive)

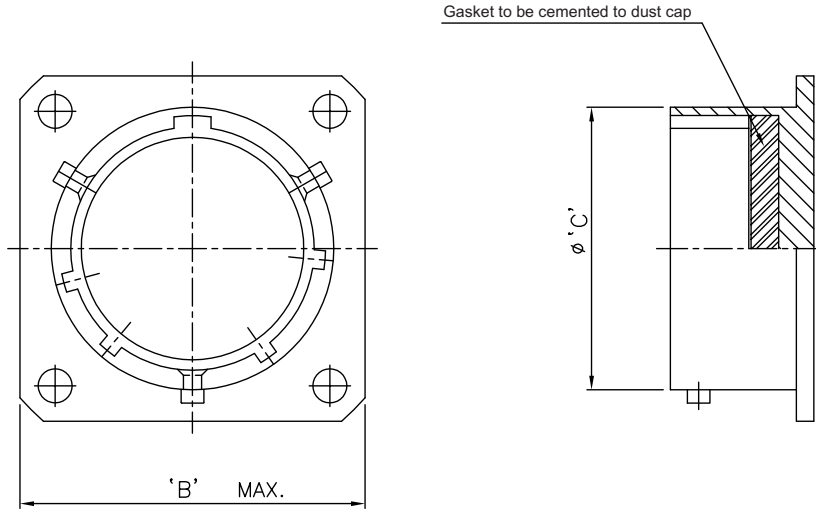
**Size**  
12 14 16 18 20 22 24 28 32 36 40

**Design**  
A - Chain & mounting ring  
B - Chain without ring  
C - Chain with clip

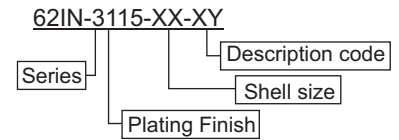
### Ordering Information AQWLD 49 C 20 A



# MIL 26482 Dummy Receptacle

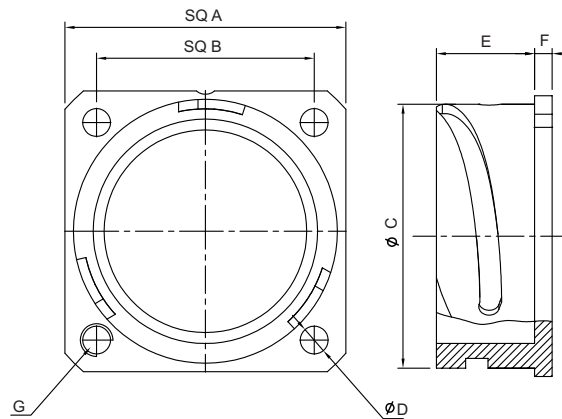


Shell Size	'B' Sq.	'C' ±0.08
08	20.62	11.96
10	23.80	14.94
12	26.59	18.97
14	28.58	22.17
16	31.34	25.32
18	33.32	28.52
20	36.50	31.70
22	39.67	34.87
24	42.85	38.05

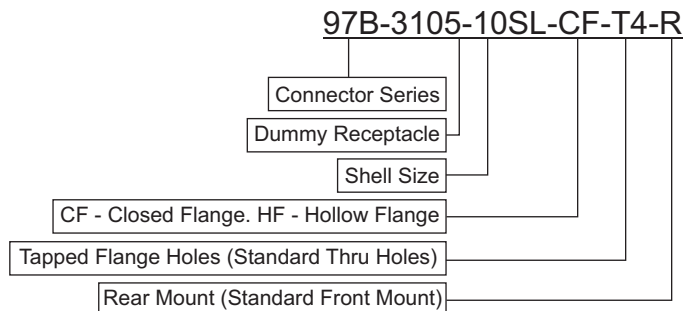


## MIL 5015 Dummy Receptacle Bayonet

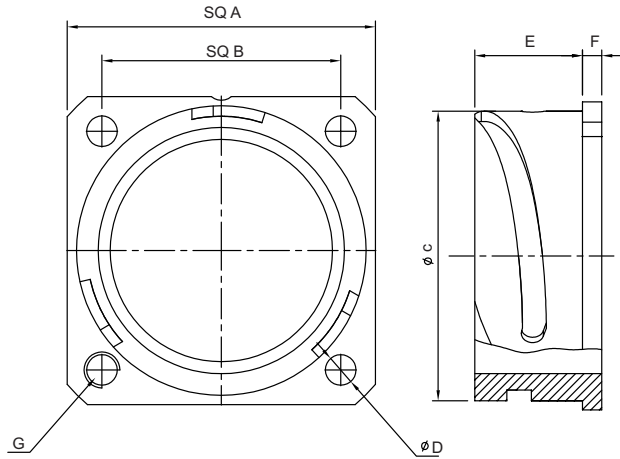
### Front Panel Mounting Dummy Receptacles Rear Side Closed



Part No.	'A' +0.18 -0.20	'B' ±0.13	∅'C' +0.00 -0.13	∅'D' +0.10 -0.00	'E' +0.30 -0.00	'F' +0.18	'G'
97B-3105-10SL-CF	25.40	18.20	18.20	3.20	14.20	2.80	M4
97B-3105-14SL-CF	30.00	23.00	23.00	3.20	14.20	3.20	M4
97B-3105-16SL-CF	32.50	24.60	24.60	3.20	14.20	3.20	M4
97B-3105-16-CF	32.50	24.60	24.60	3.20	19.00	3.20	M4
97B-3105-18-CF	35.00	27.00	30.80	3.20	19.00	4.00	M4
97B-3105-20-CF	38.00	29.40	34.20	3.20	19.00	4.00	M4
97B-3105-22-CF	41.00	31.80	37.40	3.20	19.00	4.00	M4
97B-3105-24-CF	44.50	34.90	40.90	3.70	20.60	4.00	M4
97B-3105-28-CF	50.80	39.70	46.70	3.70	20.60	4.00	M5
97B-3105-32-CF	57.10	44.50	53.40	4.30	22.20	4.00	M5
97B-3105-36-CF	63.50	49.20	59.60	4.30	22.20	4.00	M5
97B-3105-40-CF	69.90	55.50	65.50	4.30	22.20	4.00	M5

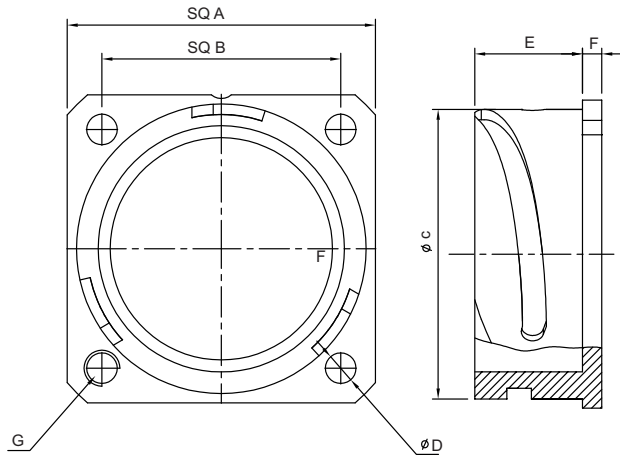


## Front Panel Mounting Dummy Receptacles Rear Side Opened



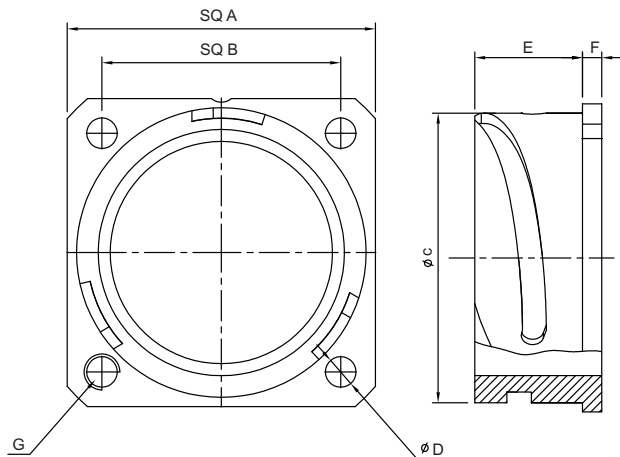
Part No.	'A' +0.18 -0.20	'B' ±0.13	Ø'C' +0.00 -0.13	Ø'D' +0.10 -0.00	'E' +0.30 -0.00	'F' ±0.18	'G'
97B-3105-10SL-HF	25.40	18.20	18.20	3.20	14.20	2.80	M4
97B-3105-14SL-HF	30.00	23.00	23.00	3.20	14.20	3.20	M4
97B-3105-16SL-HF	32.50	24.60	24.60	3.20	14.20	3.20	M4
97B-3105-16-HF	32.50	24.60	24.60	3.20	19.00	3.20	M4
97B-3105-18-HF	35.00	27.00	30.80	3.20	19.00	4.00	M4
97B-3105-20-HF	38.00	29.40	34.20	3.20	19.00	4.00	M4
97B-3105-22-HF	41.00	31.80	37.40	3.20	19.00	4.00	M4
97B-3105-24-HF	44.50	34.90	40.90	3.70	20.60	4.00	M4
97B-3105-28-HF	50.80	39.70	46.70	3.70	20.60	4.00	M5
97B-3105-32-HF	57.10	44.50	53.40	4.30	22.20	4.00	M5
97B-3105-36-HF	63.50	49.20	59.60	4.30	22.20	4.00	M5
97B-3105-40-HF	69.90	55.50	65.50	4.30	22.20	4.00	M5

## Back Panel Mounting Dummy Receptacles Rear Side closed



Part No.	'A' +0.18 -0.20	'B' ±0.13	Ø'C' +0.00 -0.13	Ø'D' +0.10 -0.00	'E' +0.30 -0.00	'F' ±0.18	'G'
97B-3105-10SL-CF	25.40	18.20	18.20	3.20	18.30	2.80	M4
97B-3105-14SL-CF	30.00	23.00	24.60	3.20	18.30	3.20	M4
97B-3105-16SL-CF	32.50	24.60	27.40	3.20	18.30	3.20	M4
97B-3105-16-CF	32.50	24.60	27.40	3.20	23.15	3.20	M4
97B-3105-18-CF	35.00	27.00	30.80	3.20	23.15	4.00	M4
97B-3105-20-CF	38.00	29.40	34.20	3.20	23.15	4.00	M4
97B-3105-22-CF	41.00	31.80	37.40	3.20	23.15	4.00	M4
97B-3105-24-CF	44.50	34.90	40.90	3.70	23.15	4.00	M4
97B-3105-28-CF	50.80	39.70	46.70	3.70	24.15	4.00	M5
97B-3105-32-CF	57.10	44.50	53.40	4.30	24.15	4.00	M5
97B-3105-36-CF	63.50	49.20	59.60	4.30	24.15	4.00	M5
97B-3105-40-CF	69.90	55.50	65.50	4.30	24.15	4.00	M5

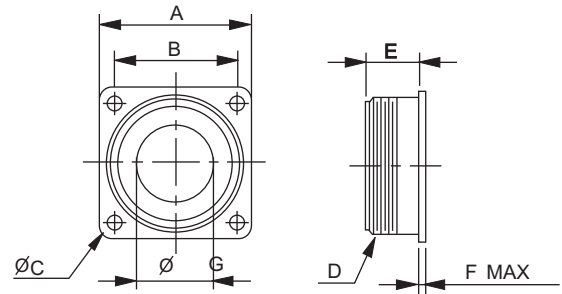
## Front Back Mounting Dummy Receptacles Rear Side Opened



Part No.	'A' +0.18 -0.20	'B' ±0.13	Ø'C' +0.00 -0.13	Ø'D' +0.10 -0.00	'E' +0.30 -0.00	'F' ±0.18	'G'
97B-3105-10SL-HF	25.40	18.20	18.20	3.20	18.30	2.80	M4
97B-3105-14SL-HF	30.00	23.00	24.60	3.20	18.30	3.20	M4
97B-3105-16SL-HF	32.50	24.60	27.40	3.20	18.30	3.20	M4
97B-3105-16-HF	32.50	24.60	27.40	3.20	23.15	3.20	M4
97B-3105-18-HF	35.00	27.00	30.80	3.20	23.15	4.00	M4
97B-3105-20-HF	38.00	29.40	34.20	3.20	23.15	4.00	M4
97B-3105-22-HF	41.00	31.80	37.40	3.20	23.15	4.00	M4
97B-3105-24-HF	44.50	34.90	40.90	3.70	23.15	4.00	M4
97B-3105-28-HF	50.80	39.70	46.70	3.70	24.15	4.00	M5
97B-3105-32-HF	57.10	44.50	53.40	4.30	24.15	4.00	M5
97B-3105-36-HF	63.50	49.20	59.60	4.30	24.15	4.00	M5
97B-3105-40-HF	69.90	55.50	65.50	4.30	24.15	4.00	M5

# MIL 5015 Threaded Dummy Receptacle

## Other Accessories Dummy receptacle MS-3105

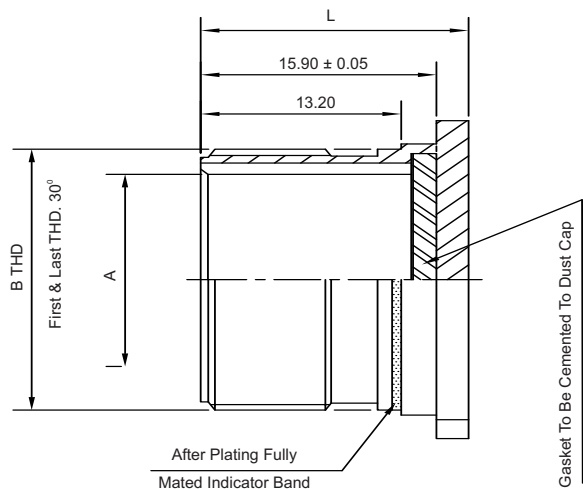
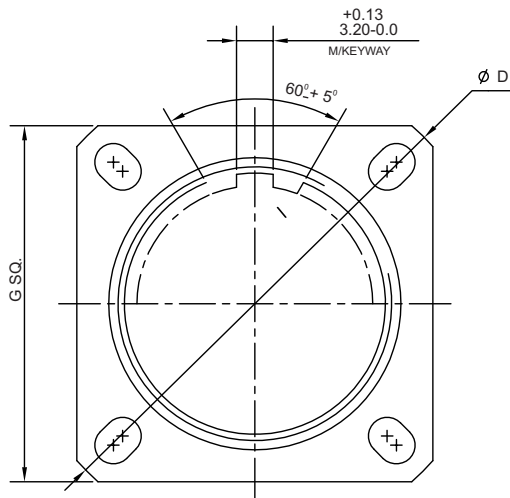


All dimensions are in mm

Part number (see note)	A	B	C	D Thread in inches	E	F max.	G
MS-3105-10S	25.4	18.26	3.05	5/8-24	14.27	3.96	8.20
MS-3105-12S	27.79	20.62	3.05	3/4-20	14.27	3.96	11.43
MS-3105-12	27.79	20.62	3.05	3/4-20	19.05	3.96	11.43
MS-3105-14S	30.17	23.01	3.05	7/8-20	14.27	3.96	13.36
MS-3105-14	30.17	23.01	3.05	7/8-20	19.05	3.96	13.36
MS-3105-16S	32.54	24.61	3.05	1-20	14.27	3.96	16.41
MS-3105-16	32.54	24.61	3.05	1-20	19.05	3.96	16.41
MS-3105-18	34.92	26.97	3.05	1 1/8-18	19.05	5.16	18.03
MS-3105-20	38.10	29.36	3.05	1 1/4-18	19.05	5.16	23.54
MS-3105-22	41.27	31.75	3.05	1 3/8-18	19.05	5.16	25.93
MS-3105-24	44.45	34.92	3.73	1 1/2-18	20.62	5.16	29.21
MS-3105-28	50.8	39.67	3.73	1 3/4-18	20.62	5.16	34.67
MS-3105-36	63.5	49.22	4.39	2 1/4-16	22.2	9.11	46.56

Note: The dash number also indicates shell size.

## MIL DTL 38999 Series III Dummy Receptacle



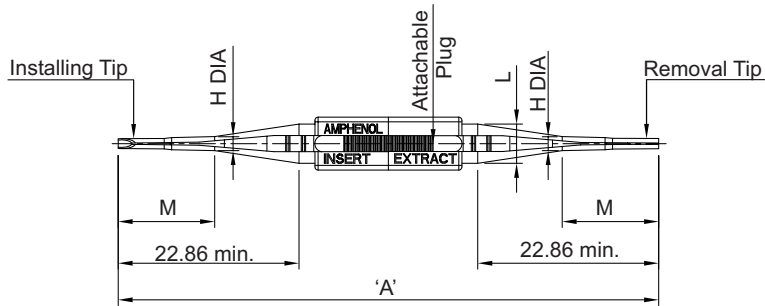
Shell Size	Mil. Code	∅ A +0.13 -0.0	'B' R H Thread	∅ D	'G' +0.23 -0.25	'L'
09	A	11.23	5/8" 0.1P-.3LTS	31.75	23.83	18.50
11	B	14.48	3/4" 0.1P-.3LTS	34.93	26.19	
13	C	17.32	7/8" 0.1P-.3LTS	38.10	28.58	
15	D	20.50	1.0" 0.1P-.3LTS	41.28	30.96	
17	E	23.67	1 3/16" 0.1P-.3LTS	44.45	33.32	
19	F	26.34	1 1/4" 0.1P-.3LTS	47.63	36.53	
21	G	29.51	1 3/8" 0.1P-.3LTS	50.80	39.67	
23	H	32.69	1 1/2" 0.1P-.3LTS	55.58	42.88	19.50
25	J	35.86	1 5/8" 0.1P-.3LTS	60.33	46.02	

### Ordering Information

ITV22 - 09 - W



# Insertion Removal Tool



## Ordering Information

Insertion & Removal Tool

Contact Size

Colour Code

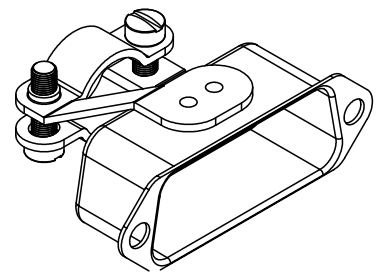
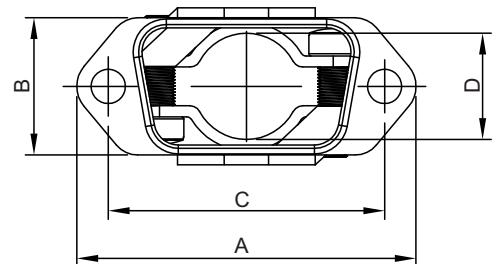
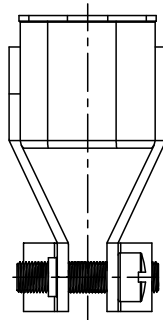
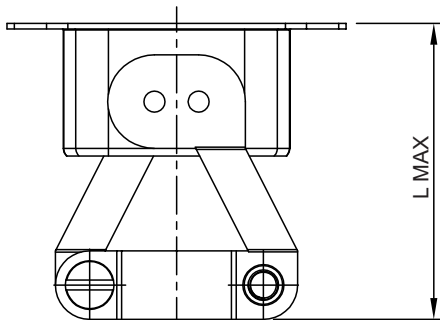
IRT - XXX - XX

SR. NO	MIL Part Number	Amphenol Part Number	Contact Size	Colour Code		'A' max.	'M' min.	'L' max.	'H' max.
				Installing Tip	Removal Tip				
1	M81969/14-01	IRT - 22D -GW	22D	Green	White	114.0	15.24	7.36	2.28
2	M81969/14-11	IRT - 20 -RW	20	Red	White	114.0	19.30	7.36	3.81
3	M81969/14-10	IRT - 20 -RO	20	Red	Orange	114.0	19.30	7.36	3.81
4	M81969/14-03	IRT - 16 -BW	16	Blue	White	114.0	25.40	11.18	5.87
5	M81969/14-04	IRT - 12 -YW	12	Yellow	White	114.0	25.40	11.18	7.29

## Backshell for D - SUB (M24308) Connector

### BACKSHELL FOR D- SUB (M24308) CONNECTOR:

#### A. METALLIC STRAIGHT CABLE HOUSING WITH CABLE CLAMP :



### Ordering Information

M2000/48 - 2 - X - XX

SERIES No.

DASH No.

SHELL SIZE

FINISH DESIGNATOR

FINISH : F - CADMIUM PLATE WITH YELLOW PASSIVATION

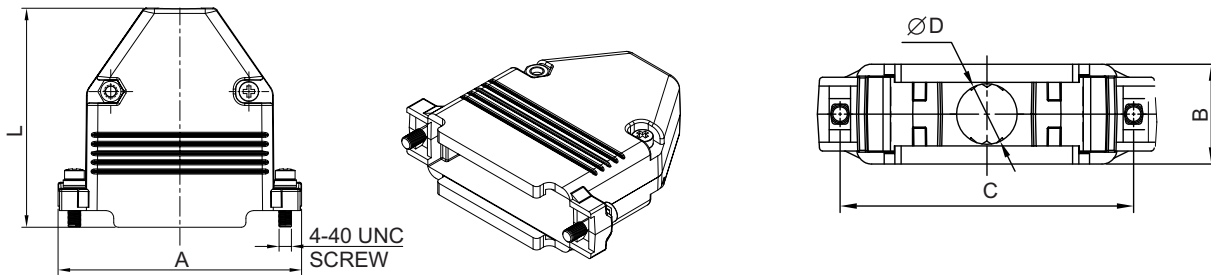
Z - ZINC PLATE WITH YELLOW PASSIVATION

TI - TIN PLATED

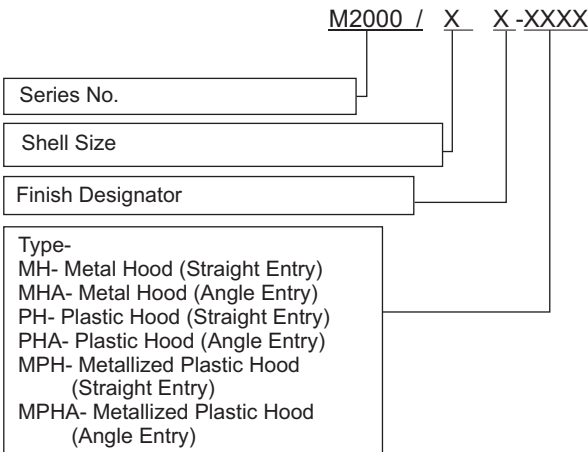
Sr.No.	MIL Part No.	SHELL SIZE	No. of PINS DENSITY		A	B	C	D max	L max
			STD	HIGH					
1	M2000/48-2-1Z	1	9	15	30.70	12.40	24.99	10.30	27.80
2	M2000/48-2-2Z	2	15	26	39.00	12.40	33.32	10.30	27.80
3	M2000/48-2-3Z	3	25	44	52.90	12.40	47.04	15.10	28.60
4	M2000/48-2-4Z	4	37	62	69.20	12.40	63.50	18.30	28.60
5	M2000/48-2-5Z	5	50	78	66.80	15.25	61.11	18.30	28.60



## Hood for D-Sub (M24308) Connector Metal Hood (Straight Entry)



### Ordering Information (Military Part Number)



All Dimensions are in mm

Sr. No.	Shell Size	No. of Pins Density		'A'	'B'	'C'	'D'	'L'
		Std.	High					
01	01	09	15	31.50	15.60	24.99	6.00	47.60
02	02	15	26	40.80	15.60	33.30	10.00	48.20
03	03	25	44	54.20	16.00	47.00	10.00	48.80
04	04	37	62	69.20	16.00	63.50	10.20	48.60
05	05	50	78	67.10	18.00	61.10	12.30	48.60

\* For angle entry please contact factory.

Finish-  
 Z- Zinc Plate with yellow passivation  
 F- Cadmium Plate with yellow passivation

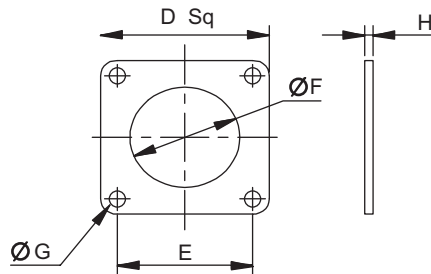
For nickel plated no suffix is required.

## Flange Mounting Gasket

(Replace XX with the required shell size)



### 62IN-760-XX



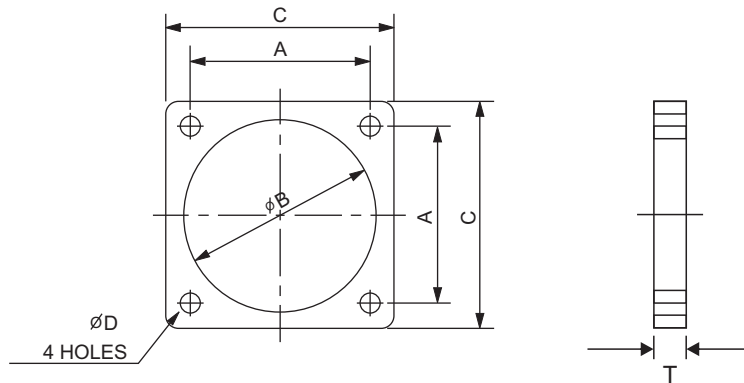
All dimensions in mm

Shell size	D	E	F Dia	G Dia	H max
8	20.62	15.08	12.90	3.30	1.06
10	23.82	18.26	16.07	3.30	1.06
12	26.18	20.65	19.25	3.30	1.06
14	28.57	23.01	22.42	3.30	1.06
16	30.96	24.61	25.60	3.30	1.06
18	33.32	27.00	28.77	3.30	1.06
20	36.52	29.36	31.95	3.30	1.06
22	39.70	31.75	35.13	3.30	1.06
24	42.87	34.92	38.30	3.96	1.06

## Other Accessories

### Plain flat gasket

For MS and 97B flange mounted receptacles



All dimensions are in mm

Part number	Shell size	A max	B	C	D	T
MS-101000	10SL	18.26	15.90	25.40	4.35	1.5
MS-108686	12S & 12	20.62	19.05	27.80	4.35	1.5
MS-101001	14S & 14	23.01	22.20	30.15	4.35	1.5
MS-101002	16S & 16	24.61	25.40	32.50	4.35	1.5
MS-101003	18	27.00	28.57	34.90	5.15	1.5
MS-101004	20	29.36	31.75	38.10	5.15	1.5
MS-101005	22	31.75	34.90	41.20	5.15	1.5
MS-108687	24	34.90	38.10	44.45	5.15	1.5
MS-101006	28	39.70	44.45	50.80	5.15	1.5
MS-108688	32	44.45	50.80	57.15	5.55	1.5
MS-101007	36	49.22	55.57	63.50	5.55	1.5
MS-110831	40	55.77	61.92	69.85	5.55	1.5

\*For Conductive and rear Mount Gasket contact factory.

Notice : All information, including illustrations given herein is believed to be accurate at the time of printing. In lieu of design advances, Amphenol reserves the right to change specifications without notice. This publication Dust Cap Accessory Series Connectors AC ACC11 1211 supercedes all existing Amphenol literature on Dust Cap Accessory Series Connectors.

## NORTH AMERICA

### Sales & Product Support

Amphenol PCD  
72 Cherry Hill Drive  
Beverly, MA 01915 USA  
Tel: +1-978-624-3400  
Fax: +1-978-927-1513  
info@amphenolpcd.com  
www.amphenolpcd.com  
www.backshellworld.com

Amphenol Aerospace Operations  
40-60, Delaware Avenue  
Sidney, NY 13838-1395  
Tel: +1-607-563-5011  
Fax: +1-607-563-5357

Amphenol Canada  
Meford Drive  
Scarborough,  
ON M1B 2X6  
Tel: +416-291-4401  
Fax: +416-292-0647

Amphenol Fiber Systems International  
1300 Central Expressway North  
Suite 100 Allen, Texas 75013, USA  
Tel: +1-214-547-2400  
Fax: +1-214-547-9344

## EUROPE

### France

Amphenol Socapex S.A.S.  
948, Promenade de l'Arve  
Bp29, Thyez Cedex  
74311, France  
Tel: +33-4-5089-2800  
Fax: +33-4-5096-1941

### United Kingdom

Amphenol Limited  
Thanet Way, Whitstable  
Kent CT5 3JF, England  
Tel: +44-1227-773-200  
Fax: 44-1227-276-571

### Germany

Amphenol-Air LB GmbH  
Am Kleinbahnhof 4  
Saarlouis  
D-66740, Germany  
Tel: 49-6831-9810-00  
Fax: 49-6831-9810-30

### Italy

Via Barbaiana 5  
20020 Lainate (Milano)  
Italy  
Tel: +39-02-93254.209  
+39-02-93254.214  
Fax: +39-02-93254-444

### Center & East Europe

Amphenol  
Wiener Gasse 68  
2380 Perchtoldsdorf  
Tel: +43-699-10396071  
Fax: +43 699 40396071

### Amphenol Air-LB

Immeuble Le Doublon  
11, Avenue Dobonnet  
Courbevoie-Cedex  
92407, France  
Ph: +33-1-4905-3000  
Fax: +33-1-4905-3043

### Spain

Amphenol Iberica  
Edificio Burgosol Oficina  
N 55 C/Comunidad de  
Madrid 35 bis -  
Las Rozas (Madrid)  
Tel: +34-91-6407302  
+34-91-6407306  
Fax: +34-91-6407307

### Austria

Amphenol Austria  
Wiener Gasse 68  
2380, Erchtoldsdorf,  
Austria  
Tel: + 43-69910396071  
Fax: + 43-69940306071

### Holland

Amphenol Benelux  
Zademaker 121  
NL-2401 PD Alphen  
aan den Rijn Holland  
Tel: +31-172-444903  
Fax: +31-172 240254

### Sweden

Amphenol  
(Nordic & Baltic)  
Ångsullsvägen 7  
S-187 51 Täby.  
Sweden  
Tel: +46-85-1051816  
+46-76-8418600  
Fax: +46-70- 2634677  
+46-70-2203197

## ASIA

### India

Amphenol Interconnect India Pvt. Ltd.  
105 Bhosari Industrial Area  
Pune-411026, India  
Tel: +9120-3068-8305  
Fax: +9120-2712-9158

### Japan

Amphenol Japan  
471-1, Deba, Ritto City  
Shiga 520-3041, Japan  
Tel: +81-77-553-8501  
Fax: +81-77-551-2200

### Singapore

Amphenol East Asia Ltd.  
72 Bendemeer Road  
# 03-33 Luzerne  
Singapore 339 941  
Tel: 65-6294-2128  
Fax: 65-6294-3522

### China

Amphenol PCD Shenzhen  
3/F Building, A4 Songbai  
Industrial Park  
East Road of Minghuan  
Gongming Town, Baon District  
Shenzhen, China  
Tel: +86-755-8173-8000  
Fax: +86-755-8173-8180

### Amphenol Interconnect India Pvt. Ltd.

61 Electronics City  
Bangalore-560 100, India  
Ph: +9180-2852-3838  
Fax: +9180-2852-0418

### Korea

Amphenol Daeshin Electronics  
558 SoSa, SongNae, Bucheon-City  
Kyunggi-Do, Korea 420-130  
Tel: +82-32-610-3800  
Fax: +92-32-673-2507

## ROW

### Australia

Amphenol Australia Pty Ltd  
2 Fiveways Boulevard  
Keysborough  
VIC 3173  
Ph: +61-3-8796-8888  
Fax: +61-3-8796-8801

### Africa

Amphenol South Africa  
30 Impala Road  
2196 Sandton-Chistlehurst  
South Africa  
Tel: +27-11-783-9517  
Fax: +27-11-783-9519

### Russia

Amphenol Russia  
8-2 Yaroslavskaja Str  
129164 Moscow, Russia  
Tel: +7-495-937-6341  
Fax: +7-495-937-6319

### Argentina

Amphenol Argentina  
Avenida Callao 930  
2nd Floor, Office B Plaza  
C1023AAP Buenos Aires  
Argentina  
Tel: 54-11-4815-6886  
Fax: 54-11-4814-5779

### Israel

Bar-Tec Ltd.  
P.O. Box 279  
Kfar Sava, 44102 Israel  
Tel: +972-9-7644100  
Fax: +972-9-7674324

### Maslak

34396 Istanbul  
Tel: +90-212-335-2501  
Fax: +90-212-335-2500

### Brazil

Amphenol do Brasil Ltda  
Rua Diogo Moreira 132  
CEP 05423-010  
Sao Paulo-SP, Brazil  
Tel: +55-11-3815-1003  
Fax: +55-11-3815-1629

# Amphenol

*A Global Company*



## X-ON Electronics

Largest Supplier of Electrical and Electronic Components

*Click to view similar products for* [Circular MIL Spec Tools, Hardware & Accessories](#) *category:*

*Click to view products by* [Amphenol](#) *manufacturer:*

Other Similar products are found below :

[0113-201-2025](#) [600-079-06](#) [600-146-06](#) [M10-101983-183](#) [M10-454396-008](#) [602GB18808](#) [CS3102A-22-14PW](#) [M2887615-CD](#) [627-009](#)  
[M38999/9-19B](#) [630A007NF083A](#) [630B007M051A](#) [630BJ003NF032H](#) [637-149NF04B](#) [M39029/29-215](#) [6408-203V-09273](#) [6426-201-11343](#)  
[650FS002NF16](#) [660-008NF14S7-01](#) [660-009M22H8-03](#) [660-013NF19U6-210](#) [660-015M10S6-17](#) [660-015NF10S5-01](#) [660-015NF14R3.5-01](#)  
[660-023NF19H6-19](#) [660-024NF11S12-01](#) [660-024NF11S3-01](#) [660-024NF17S4-109](#) [660-050XM17F4-01](#) [660-068NF25R6-30G](#) [660-](#)  
[070M23S8-04](#) [660-073MTCH9-20](#) [M83723/61-18W](#) [M83723/61-218R](#) [M83723/61-224W](#) [667-084-23C](#) [667-084-35C](#) [667-224NF16](#) [687-](#)  
[697NF-1](#) [M85049/94-10-A](#) [M85049/96-7-A](#) [M855282-10A01A](#) [M85528/2-10B](#) [M855282-18A01A](#) [M85528/2-22A01A](#) [M85528/2-22AA](#)  
[710HS460NF2508](#) [780-001-22G12-SK](#) [780-002-19G12-SK](#) [780-002-20G12SK](#)