

REFERENCE SPECIFICATIONS

-NFC 93425 (in compliance with HE 507)

PHYSICAL CHARACTERISTICS

- INSULATOR MATERIAL: THERMOPLASTIC .UL94V0
- ACCESSORIES: BRASS
- SHELLS: STEEL

ELECTRICAL CHARACTERISTICS

- CONTACT/CONTACT : >=1000 V
- CONTACT/GROUND : >=1200 V
- INSULATION RESISTANCE: >=5000 MOhms

ENVIRONMENTAL CHARACTERISTICS

- CLIMATIC CATEGORY: 55/125/21
- TEMPERATURE RANGE -55°C TO +125°C
- DAMP HEAT STEADY STATE 21 DAYS
- SALT SPRAY 24 HOURS

MECHANICAL CHARACTERISTICS

- RETENTION AGAINST TORQUE:
  - Threaded insert: 0.7 N.m minimum
  - Female screw : 0.5 N.m minimum

NOTE RoHS INFORMATION

- The "LF" products meet european union Directives and other country regulations as described in GS-22-008.
- Shell plating :2 to 4 μm Cu+ Ni + 3 to 10 μm Sn(pure bright)
- Accessories: Sn pure bright + nickel
- Packaging spec: See GS-14-920

Series **DBL5W5SA00LF**

Shell size: E A B C  
see sheet 2

Front accessory definition  
see sheet 2

- Blank :without accessory
- L : Threaded insert M3
- O : Threaded insert UNC 4-40
- V : Female screw UNC 4-40

Layout of contacts (see sheet 3)

Contacts

S :Socket

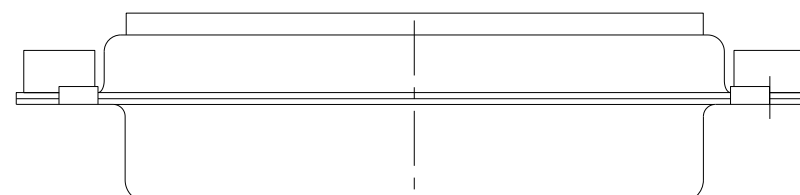
PCB accessory definition

A witout accessory on PCB

Power contacts

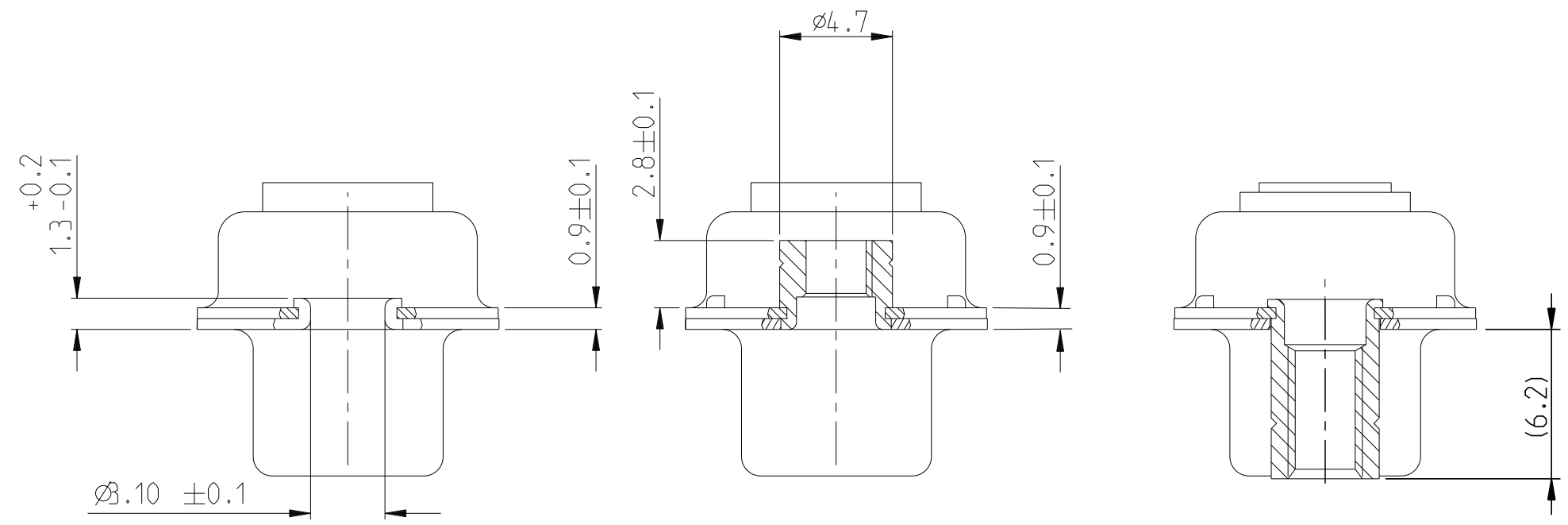
00 without power contact

See note RoHS



spec ref	dr	Pro Engineer 1	2015/06/16	projection	mm	size	A2	scale	2:1
tolerance std	eng	J Dalbard	2016/09/13			ecn no	ECN-ELXF-24942-1	rel level	Released
TOLERANCES UNLESS OTHERWISE SPECIFIED	chr	J Dalbard	2016/09/19						
	appr	Aymeric Soudy	2016/09/20						
surface	Amphenol FCI SUB FEMALE DW full power without contact				cat. no.	Product - Customer Drw	sheet 1 of 4		
linear: 0.X ±0.3 0.XX ±0.10 0.XXX ±0.05 angular: 0° ±2°	diag no	C01-8639-2311		rev	E				

FIRST ANGLE PROJECTION



FRONT ACCESSORY	Blank without	L insert M3 O insert UNC 4.40	V Female screw UNC 4-40
PCB ACCESSORIES	A without	A without	A without

PART NUMBER	FRONT ACCESSORY	PCB ACCESSORY
D*xW xSA00LF	WITHOUT	WITHOUT
D*VxW xSA00LF	Female screw UNC 4-40	WITHOUT
D*LxW xSA00LF	Insert M3	WITHOUT
D*OxW xSA00LF	Insert UNC 4-40	WITHOUT

shell size LAYOUTS

E	2V2
A	3V3
A	3W3
B	5W5
C	8W8

SCALE:4

Amphenol FCI

© 2016 AFCI

spec ref	dr Pro Engineer 1	2015/06/16	projection	mm	size A2	scale 2:1			
tolerance std	eng J Dalbard	2016/09/13			ecn no ECN-ELX-F-24942-1	rel level Released			
TOLERANCES UNLESS OTHERWISE SPECIFIED	chr J Dalbard	2016/09/19							
	appr Aymeric Soudy	2016/09/20					product family		
surface				<b>Amphenol FCI</b>	SUB FEMALE DW full power without contact	dwg no C01-8639-2311 rev E			
	linear	0.X ±0.3	0.XX ±0.10	0.XXX ±0.05	angular	0° ±2°	cat. no.	Product - Customer Drw	sheet 2 of 4

PDS: Rev :E

STATUS:Released

Printed: Sep 28, 2016

FIRST ANGLE PROJECTION

FIRST ANGLE PROJECTION

Amphenol  
FCI

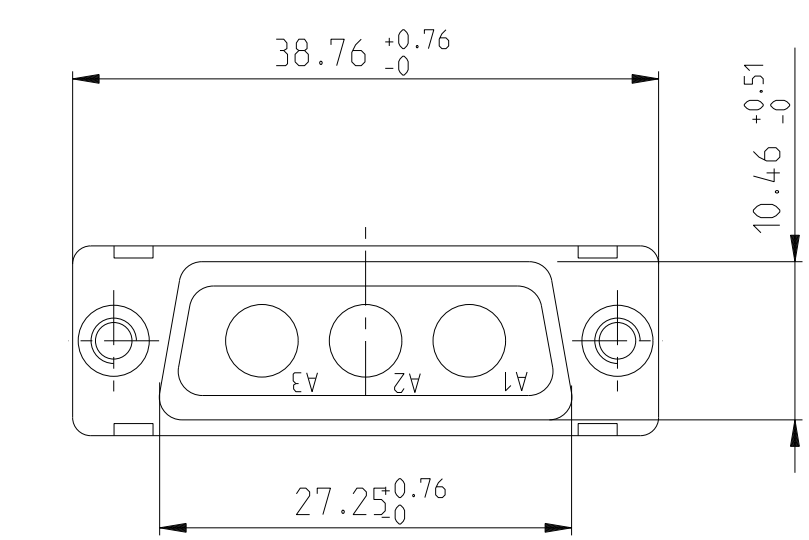
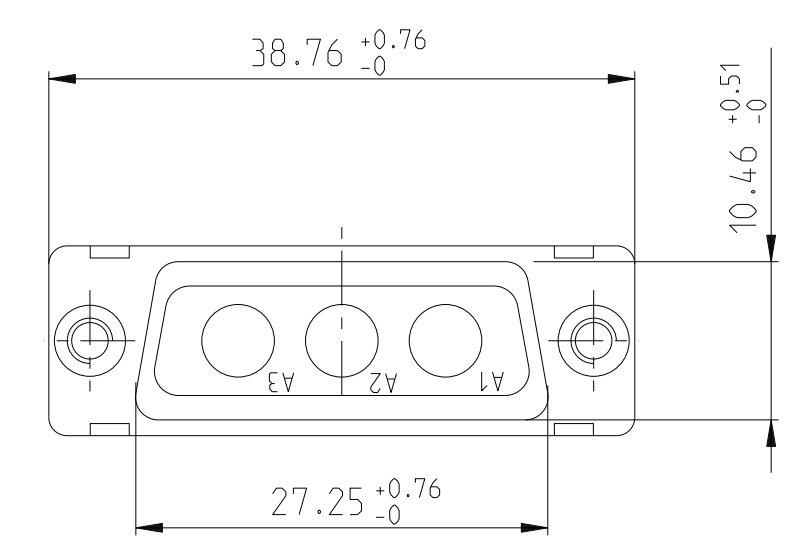
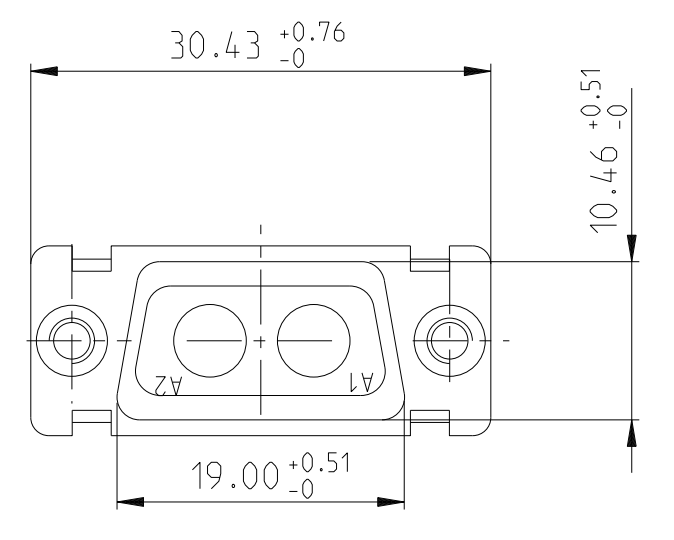
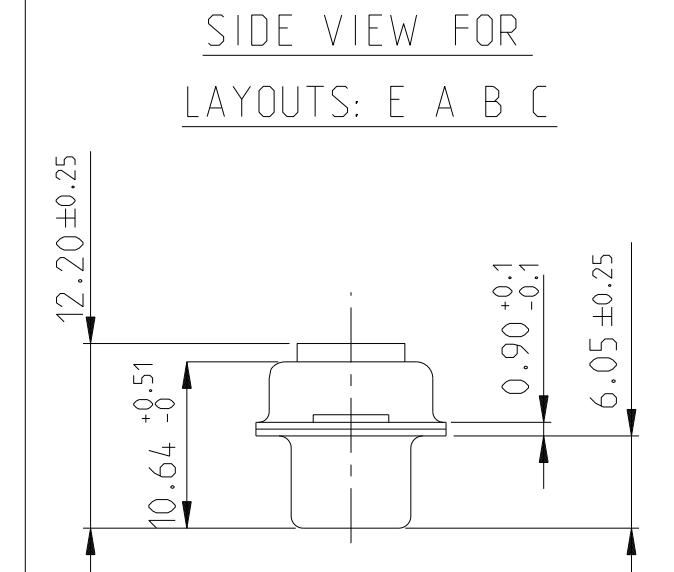
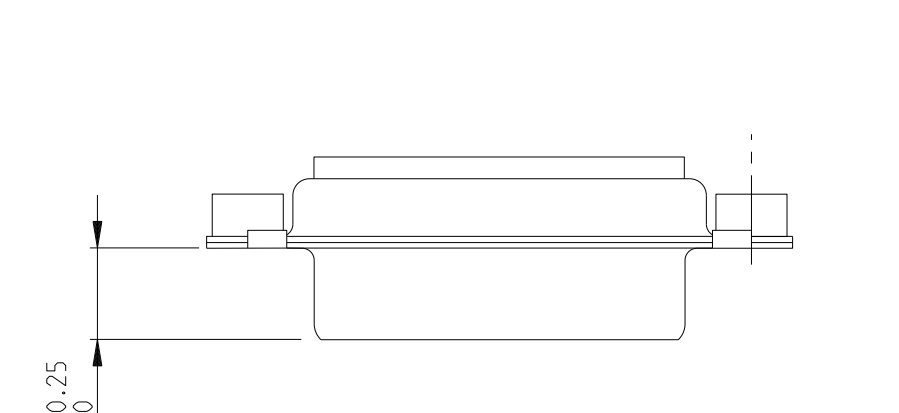
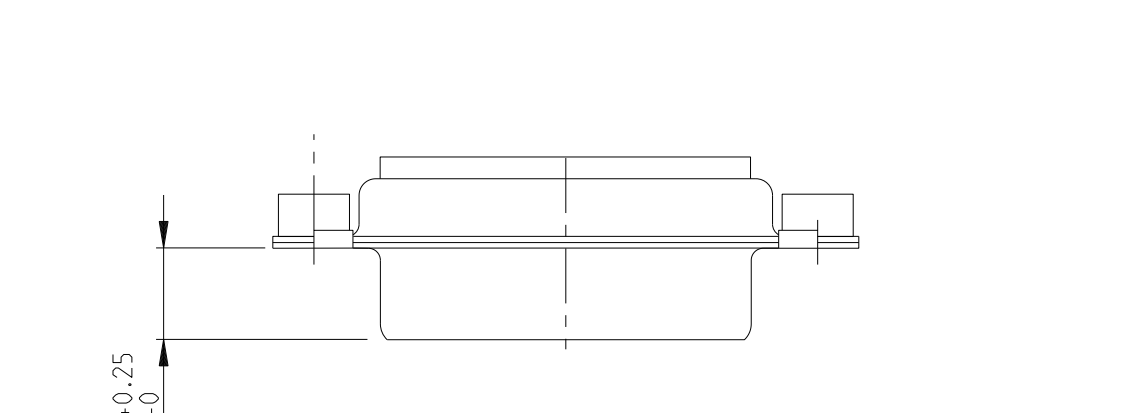
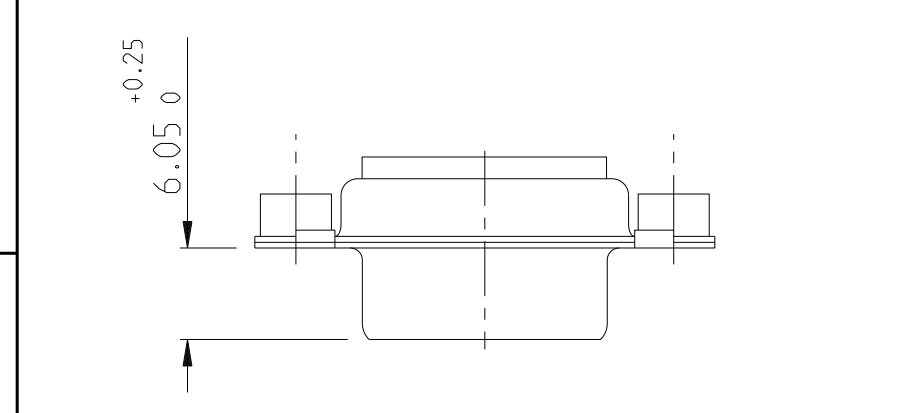
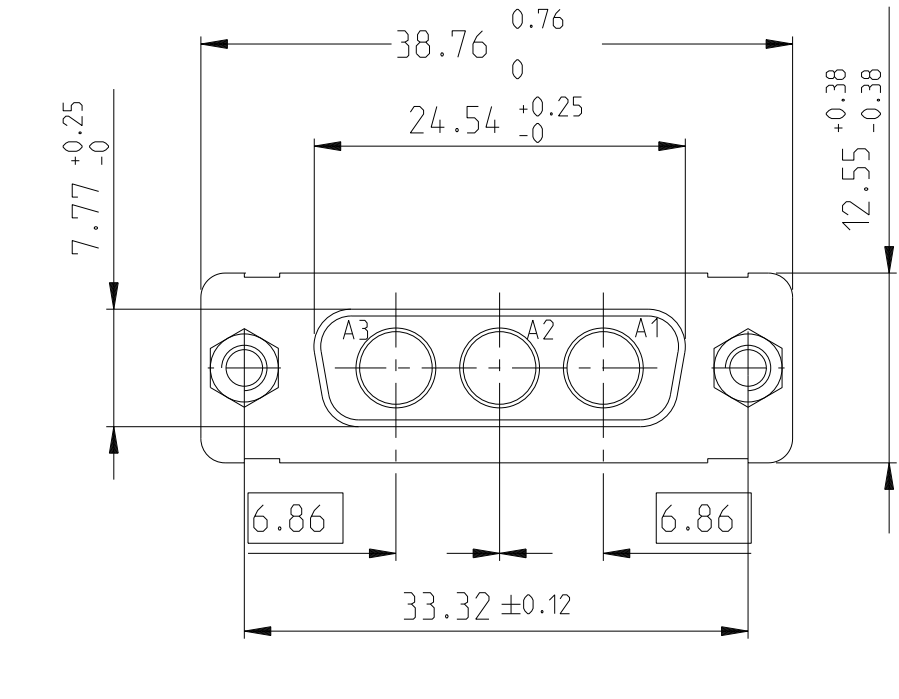
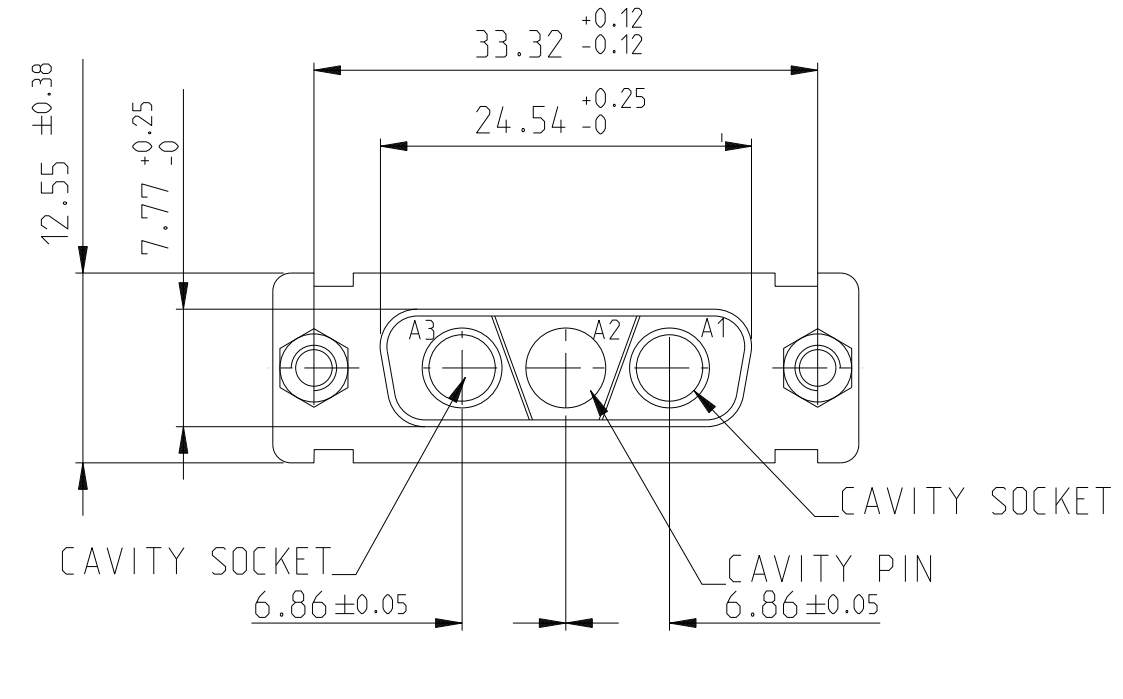
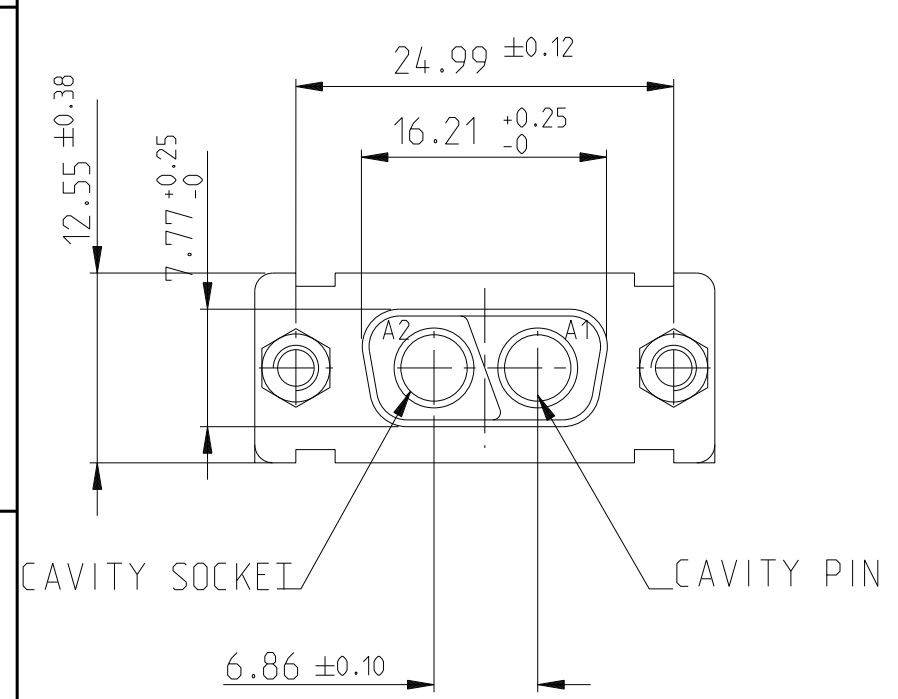
© 2016 AFCI

F

2V2

3V3

3W3



spec ref	dr	Pro Engineer 1	2015/06/16	projection	mm	size	A2	scale	2:1	
tolerance std	eng	J Dalbard	2016/09/13	FIRST ANGLE PROJECTION	←	ecn no	ECN-ELX-F-24942-1			
TOLERANCES UNLESS OTHERWISE SPECIFIED	chr	J Dalbard	2016/09/19			rel level	Released			
	appr	Aymeric Soudy	2016/09/20			product family	-			
surface	linear	0.X	±0.3	Amphenol FCI		title	SUB FEMALE DW			
		0.XX	±0.10			part no	C01-8639-2311			
		0.XXX	±0.05			rev	E			
	angular	0°	±2°			cat. no.	-			
				Product - Customer Drw		sheet 3 of 4				

PDS: Rev :E

STATUS:Released

Printed: Sep 28, 2016

FIRST ANGLE PROJECTION

B

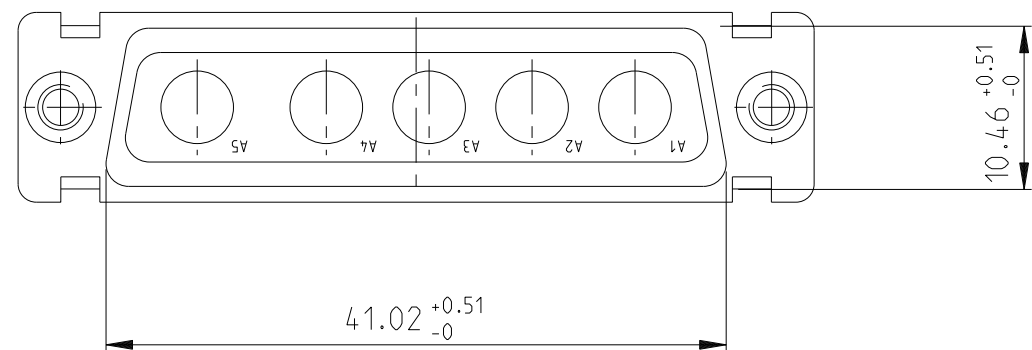
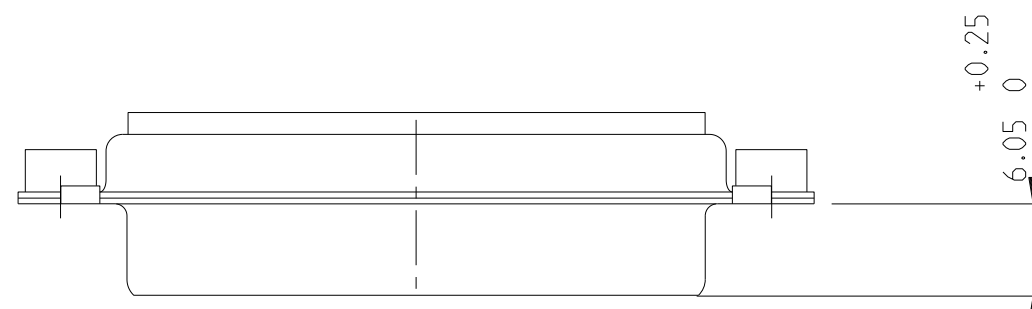
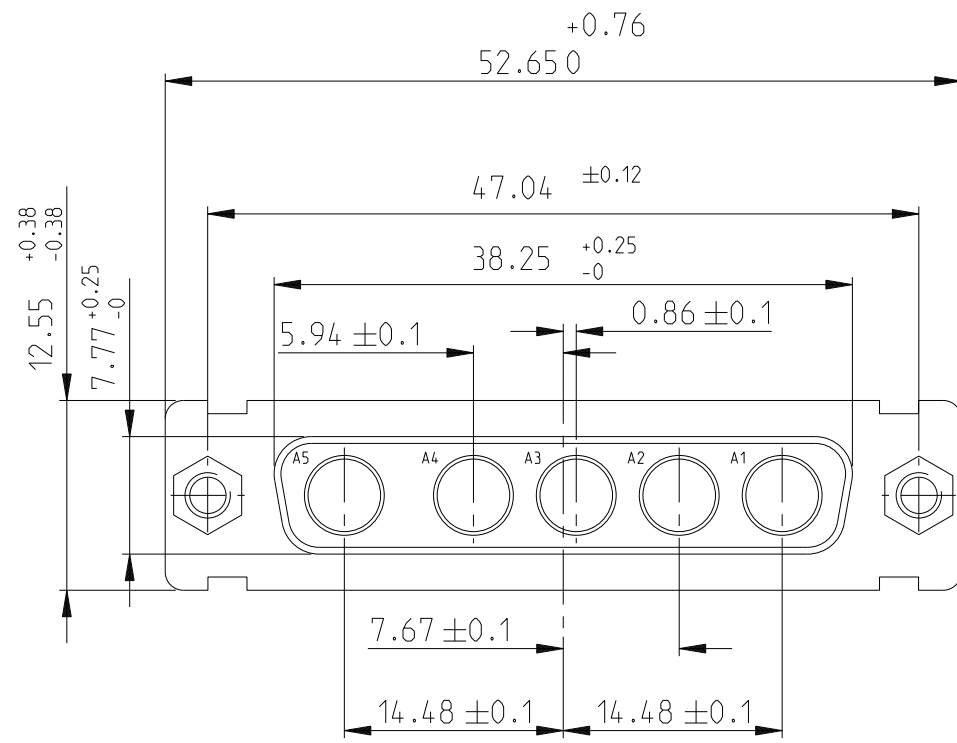
C

D

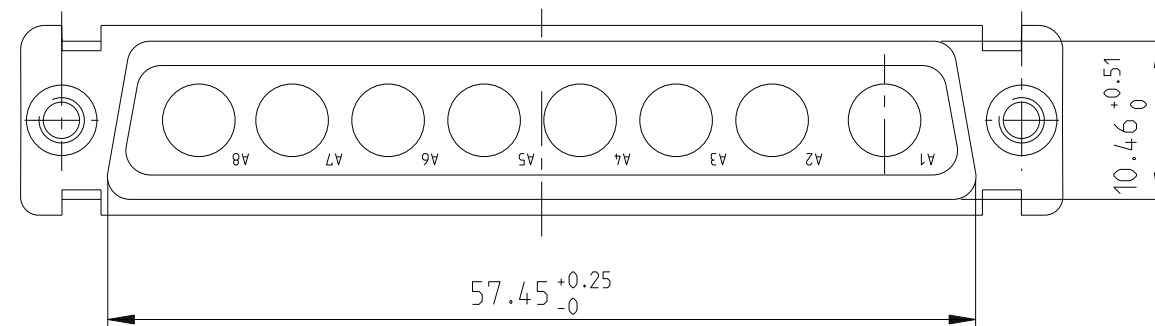
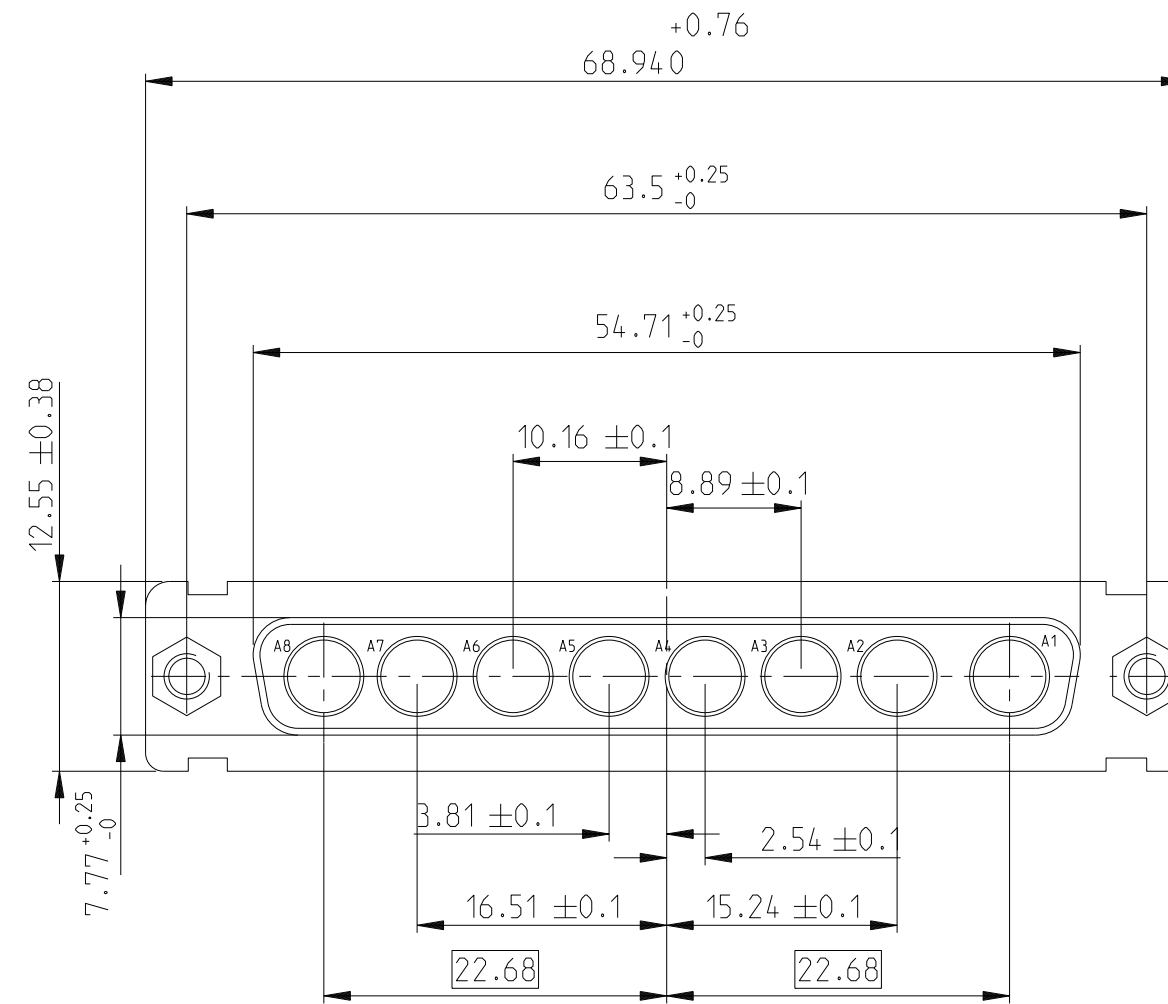
E

F

5W5



8W8



A

B

C

D

E

FIRST ANGLE PROJECTION

Amphenol FCI

© 2016 AFCI

spec ref	dr	Pro Engineer 1	2015/06/16	projection	mm	size	A2	scale	2:1
tolerance std	eng	J Dalbard	2016/09/13			ecn no	ECN-ELXF-24942-1	rel level	Released
TOLERANCES UNLESS OTHERWISE SPECIFIED	chr	J Dalbard	2016/09/19						
	appr	Aymeric Soudy	2016/09/20						
surface	linear	0.X	±0.3	Amphenol FCI		SUB FEMALE DW		dwg no	C01-8639-2311
		0.XX	±0.10	full power without contact				rev	E
	angular	0°	±2°	cat. no.		Product - Customer Drw		sheet 4 of 4	

PDS: Rev :E

STATUS:Released

Printed: Sep 28, 2016

## X-ON Electronics

Largest Supplier of Electrical and Electronic Components

*Click to view similar products for D-Sub Mixed Contact Connectors category:*

*Click to view products by Amphenol manufacturer:*

Other Similar products are found below :

[173114-0234](#) [790-025SF-5P5NMN](#) [790-025SJ-7P7NML](#) [DBM9W4SN](#) [9030M2MAT99X90X](#) [L717TWB5W5P3R](#) [L717TWB5W5PA514](#)  
[L717TWB5W5PRM84](#) [L717TWP3W3P](#) [LCC17A3W3PEAN1](#) [3003W3PXX56N40X](#) [3005W5PXX99A30X](#) [3005W5PXX99E40X](#)  
[3005W5SXX99E40X](#) [3007W2SCT56N40X](#) [3013W3SCM99A10X](#) [3017W2SCT56N40X](#) [3036W4PCM41A10X](#) [3036W4SCM99A10X](#)  
[212522-7](#) [3003W3PXX43A10X](#) [3003W3SXX56N40X](#) [3005W5PXX49E40X](#) [3005W5PXX88N40X](#) [3007W2PAR71E20X](#)  
[3008W8SXX57A30X](#) [3009W4PCT56N40X](#) [3009W4PCT57P20X](#) [3011W1SXX99A10X](#) [3013W3PCM99A10X](#) [3013W6SXX99A10X](#)  
[3017W2PAR69E20X](#) [3017W2SAR69C40X](#) [3024W7SCM99A10X](#) [302W2CPXX56N40X](#) [3043W2SAR71E40X](#) [321WA4PCM99A10X](#)  
[321WA4PXX99A60X](#) [321WA4SCT56N40X](#) [3F3SSC22S41A30X](#) [5604805](#) [L717TWA7W2PP2SY3R](#) [DAM-3W3P-A159](#) [DBM9W4PN](#)  
[421WA4PCR50E20X](#) [DDMZ36H4SNA197](#) [09691009009](#) [09691100022500](#) [09693009176](#) [09692009147](#)