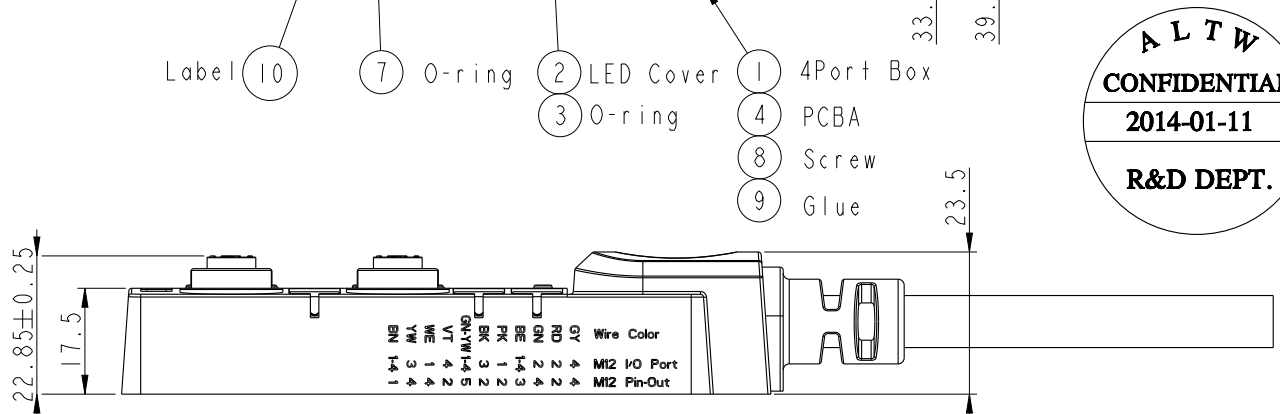
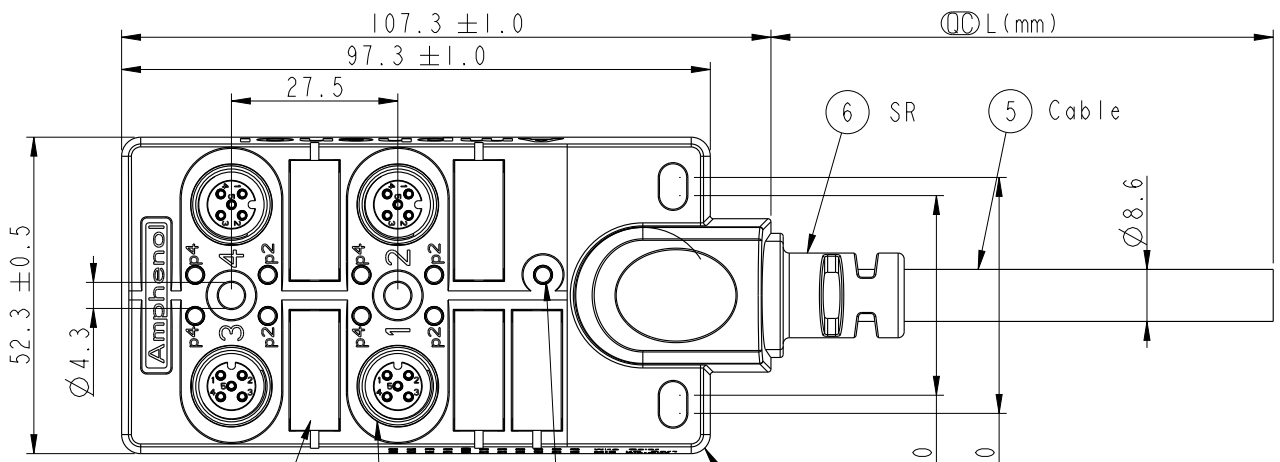
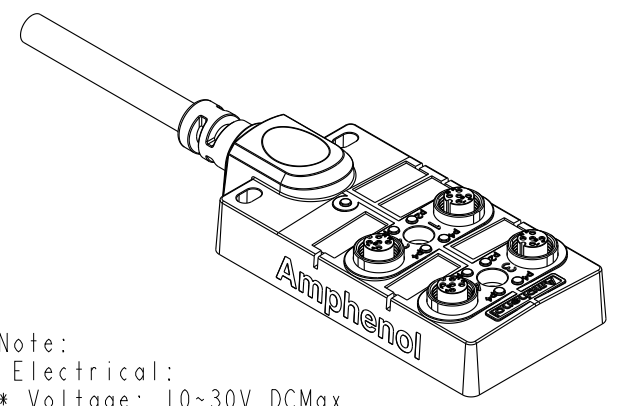


| | | | | |
|------|---------|------|------|-------------|
| REV. | ECN NO. | DATE | SIGN | DESCRIPTION |
| | | | | |

THIS DOCUMENT IS SUBJECT TO CHANGE WITHOUT NOTICE. IT IS CONFIDENTIAL AND A PROPERTY OF Amphenol LTW. DISCLOSURE TO THIRD PARTY HAS TO BE AUTHORIZED BY Amphenol LTW.



ALTW
CONFIDENTIAL
 2014-01-11
R&D DEPT.



Note:
 Electrical:
 * Voltage: 10~30V DCMax.
 * Current per Port: 4A
 * Current Sum Max.: 12A
 * Power indicator: 1*LED, Green
 * Function Indicator: 8 * LED Yellow
 * Sensor Connections: M12*1, 5-pole Female
 * Switching Output: PNP

Mechanical:
 * Connector Housing Material: PA66,Nylon+GF
 * Box Material: PBT+PC
 * Contact Material: Copper Alloy
 * Contact Finish: Gold plated
 * No. of Ports: 4
 * Style: M12*1
 * Mounting type: 2 * M4
 * Cable: UL20549 8C*0.34mm²+3C*1.0mm²
 PUR Jacket, OD=8.6mm, Black.
 * Cable Length Tolerance: 01M: ±40mm
 02~05M: ±60mm
 06~10M: ±100mm
 11~30M: ±200mm
 31~99M: ±500mm

Environmental:
 * Operating Temperature : -20°C~+80°C
 * Waterproof Rate: IP67 (Unmated)
 * Oil Resistant

DB12-5A4CAB-DPS7BXX
 XX:01~99Meters
 01:01Meter
 05:05Meter
 10:10Meter
 15:15Meter
 20:20Meter
 30:30Meter
 Cable Length(L):01~99Meters

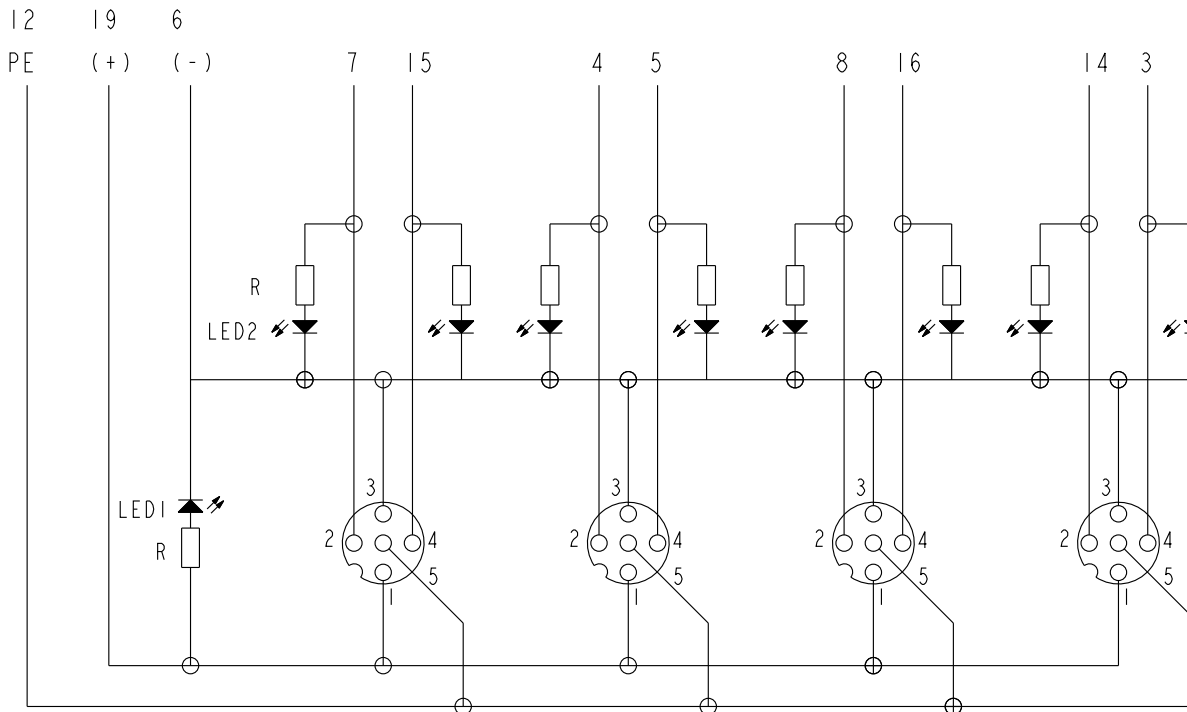
| | | |
|-----------|------------|------------|
| UNIT:mm | | |
| TOLERANCE | .X ±0.25 | .XX ±0.1 |
| | .XXX ±0.05 | ANGLES ±1° |

| | | | |
|---|----------------|--------------------|--|
| TITLE M12 Distribution Box 4Port, CABLE | | | |
| SCALE 4:5 | SIZE A4 | SHEET 1 OF 2 | |
| REV. A | WC-REV. A.4 | ☉: Inspection item | |

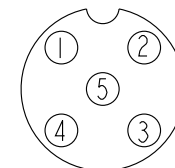
Amphenol LTW
 安費諾亮泰企業股份有限公司

| | | |
|-------------------------------|-----------------------|--------------------|
| ITEM NO | DRAWN BY Tony_leng | DATE 2014/01/11 |
| DWG NO DB12-5A4CAB-DPS7BXX | CHECKED BY Jimmy | DATE 2014/01/11 |
| CUSTOMER ALTW | APPROVED BY Jerry | DATE 2014/01/11 |

Schematic Diagram

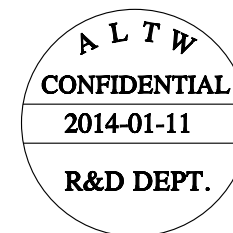


Parts
 LED1: Green
 LED2: Yellow
 R: Resistor



M12

I/O Ports
 Pin1: +V
 Pin2: NC
 Pin3: -V
 Pin4: NO
 Pin5: PE



M12 I/O Ports

| | | | |
|--------|------|---------|--------------|
| 16 | 3 | 4 | Yellow |
| 15 | 1 | 4 | White |
| 14 | 4 | 2 | Violet |
| 8 | 3 | 2 | Black |
| 7 | 1 | 2 | Pink |
| 5 | 2 | 4 | Green |
| 4 | 2 | 2 | Red |
| 3 | 4 | 4 | Gray |
| 19(+V) | 1-4 | 1 | Brown |
| 6(-V) | 1-4 | 3 | Blue |
| 12(PE) | 1-4 | 5 | Green/yellow |
| Wire | Port | M12 Pin | Wire Color |

| | | | | | | |
|-------------|---|----------------|--------------------------------------|--------------------------------|-----------------------|-------------------------------|
| UNIT:mm | TITLE M12 Distribution Box 4Port, Cable | | Amphenol LTW 安費諾亮泰企業股份有限公司 | ITEM NO DB12-5A4CAB-DPS7BXX | DRAWN BY Tony_leng | DATE 2014/01/11 |
| | TOLERANCE .X ±0.25 .XX ±0.1 .XXX ±0.05 ANGLES ±1° | SCALE 1:2 | | SIZE A4 | SHEET 2 OF 2 | DWG NO DB12-5A4CAB-DPS7BXX |
| | REV. A | WC-REV. A.4 | Inspection | CUSTOMER ALTW | APPROVED BY Jerry | DATE 2014/01/11 |

X-ON Electronics

Largest Supplier of Electrical and Electronic Components

Click to view similar products for [Sensor Cables / Actuator Cables](#) category:

Click to view products by [Amphenol](#) manufacturer:

Other Similar products are found below :

[60963](#) [60964](#) [703000D02F2002](#) [703000D02F300](#) [703001D02F1201](#) [703001D02F300](#) [704000D02F120](#) [773032K02F030](#) [802027213811-1](#)
[804001A09M150](#) [84914-0235](#) [84914-0237](#) [884031A09M005](#) [885030A09M010](#) [8R4006A18M010](#) [8R4J30E03C3003](#) [1200650503](#)
[1200651713](#) [1200680071](#) [1200720081](#) [1200720537](#) [1200870123](#) [1200650218](#) [1200661295](#) [1200661297](#) [1200661342](#) [1200670080](#)
[1200680331](#) [1200720139](#) [1200720255](#) [1200720597](#) [1200730184](#) [1200870359](#) [1200980008](#) [1200980031](#) [1210401265](#) [1211810021](#)
[1300060465](#) [1300060544](#) [1300060784](#) [1300061169](#) [1300061497](#) [1300101010](#) [1300101015](#) [1300130536](#) [1300270039](#) [1300280144](#)
[1300060347](#) [1300060350](#) [1300060550](#)