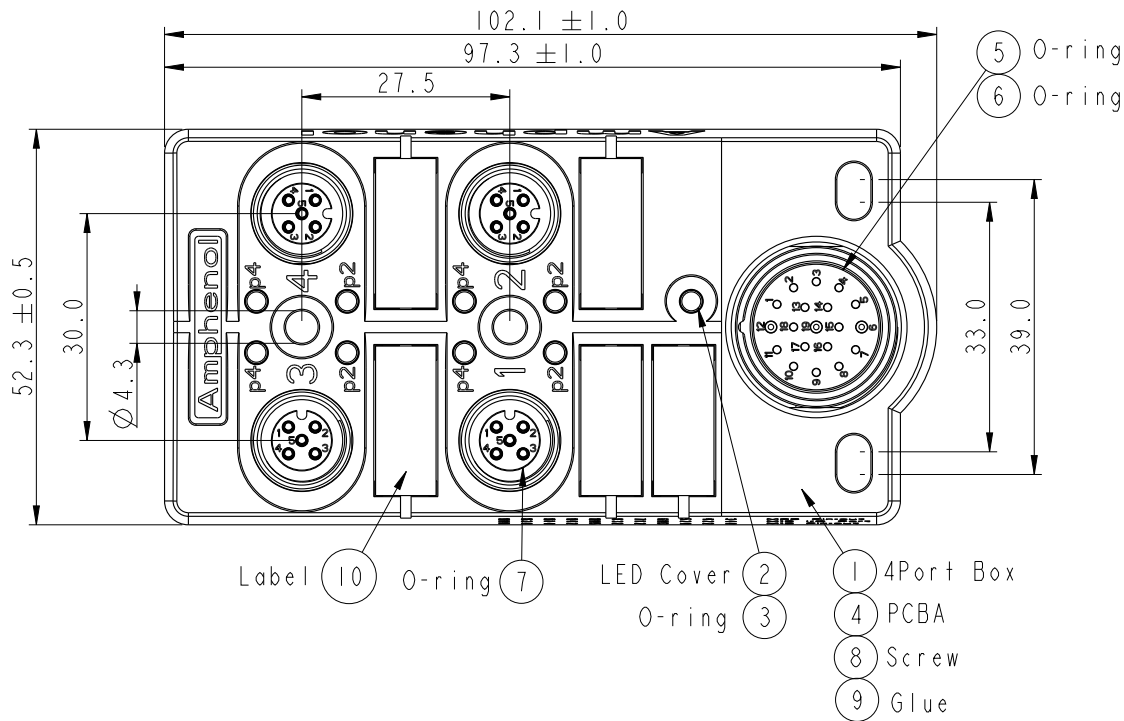
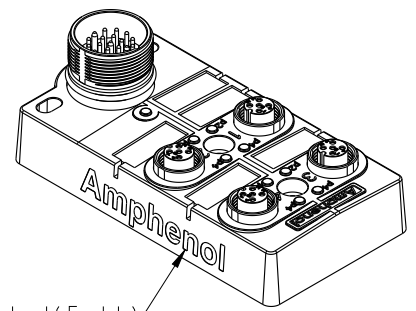


REV.	ECN NO.	DATE	SIGN	DESCRIPTION



ALTW
CONFIDENTIAL
 2014-01-11
R&D DEPT.

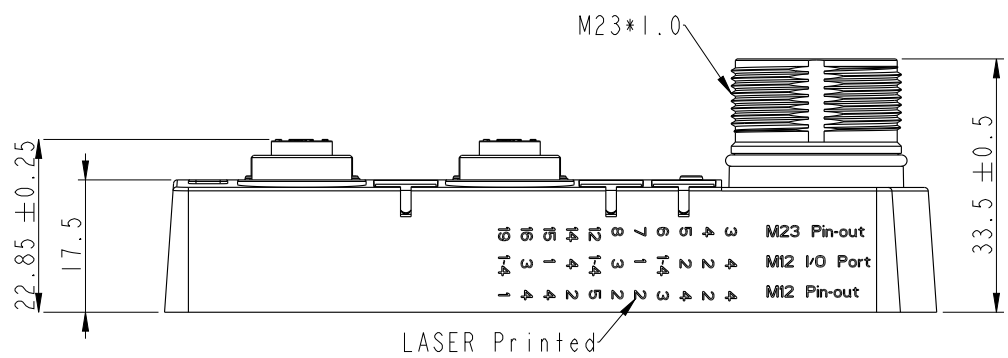


LASER Printed(Full)

- Note:
- Electrical:
- * Voltage: 10~30V DCMax.
 - * Current per Port: 4A
 - * Current Sum Max.: 12A
 - * Power indicator: 1*LED, Green
 - * Function Indicator: 8* LED Yellow
 - * Sensor Connections: M12*1, 5-pole Female
 - * Switching Output: PNP

- Mechanical :
- * Homerun Connector: M23
 - * Connector Housing Material: PA66,Nylon+GF
 - * Box Material: PBT+PC
 - * Contact Material: Copper Alloy
 - * Contact Finish: Gold plated
 - * No. of Ports: 4
 - * Style: M12*1
 - * Mounting type: 2 * M4

- Environmental:
- * Operating Temperature : -25°C~+90°C
 - * Waterproof Rate: IP67 (Unmated)
 - * Oil Resistant.



UNIT:mm		
TOLERANCE	.X ±0.25	
	.XX ±0.1	
	.XXX ±0.05	
ANGLES	±1°	

TITLE M12 Distribution Box 4Port, M23			
SCALE 1:1	SIZE A4	SHEET 1 OF 2	
REV. A	WC-REV. A.4	QC: Inspection item	

Amphenol LTW
 安費諾亮泰企業股份有限公司

ITEM NO DB12-5A4M23-DPS7001	DRAWN BY Tony_leng	DATE 2014/01/11
DWG NO DB12-5A4M23-DPS7001	CHECKED BY Jimmy	DATE 2014/01/11
CUSTOMER ALTW	APPROVED BY Jerry	DATE 2014/01/11

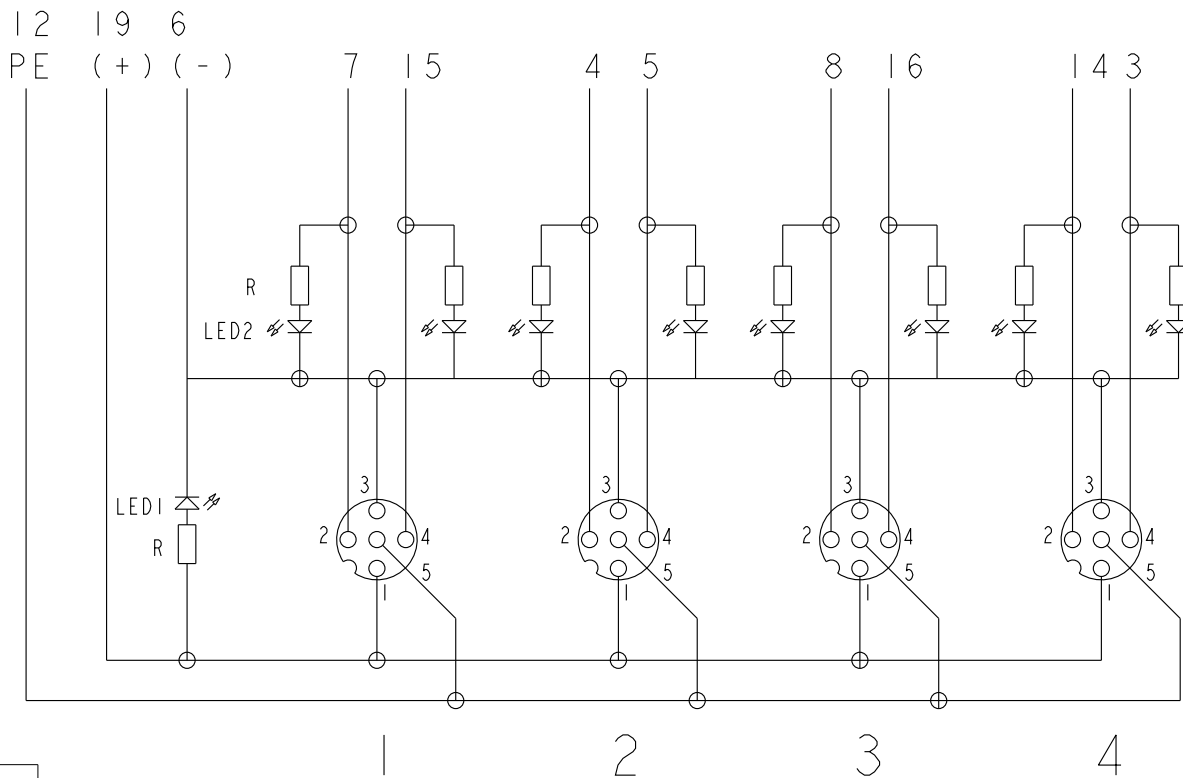
THIS DOCUMENT IS SUBJECT TO CHANGE WITHOUT NOTICE. IT IS CONFIDENTIAL AND A PROPERTY OF Amphenol LTW. DISCLOSURE TO THIRD PARTY HAS TO BE AUTHORIZED BY Amphenol LTW.

F
E
D
C
B
A

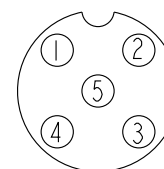
THIS DOCUMENT IS SUBJECT TO CHANGE WITHOUT NOTICE. IT IS CONFIDENTIAL AND A PROPERTY OF Amphenol LTW. DISCLOSURE TO THIRD PARTY HAS TO BE AUTHORIZED BY Amphenol LTW.

Schematic Diagram

M23 Homerun Connector

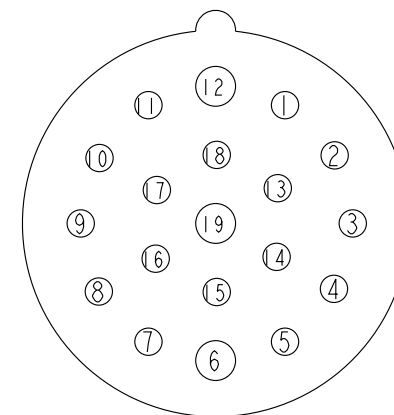


Parts
 LED1: Green
 LED2: Yellow
 R: Resistor



M12

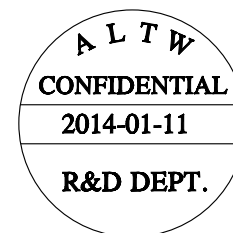
I/O Ports
 Pin1: +V
 Pin2: NC
 Pin3: -V
 Pin4: NO
 Pin5: PE



M23

M12 I/O Ports

16	3	4
15	1	4
14	4	2
8	3	2
7	1	2
5	2	4
4	2	2
3	4	4
19(+V)	1-4	1
6(-V)	1-4	3
12(PE)	1-4	5
M23 Pin	Port	M12 Pin



UNIT: mm		
TOLERANCE		
.X	±0.25	
.XX	±0.1	
.XXX	±0.05	
ANGLES	±1°	

TITLE M12 Distribution Box 4Port, M23			
SCALE 1:1	SIZE A4	SHEET 2 OF 2	
REV. A	WC-REV. A.4	Ⓞ: Inspection item	

Amphenol LTW
 安費諾亮泰企業股份有限公司

ITEM NO DB12-5A4M23-DPS7001	DRAWN BY Tony_leng	DATE 2014/01/11
DWG NO DB12-5A4M23-DPS7001	CHECKED BY Jimmy	DATE 2014/01/11
CUSTOMER ALTW	APPROVED BY Jerry	DATE 2014/01/11

DATE 2014/01/11
DATE 2014/01/11
DATE 2014/01/11

DATE 2014/01/11
DATE 2014/01/11
DATE 2014/01/11

X-ON Electronics

Largest Supplier of Electrical and Electronic Components

Click to view similar products for [Sensor Cables / Actuator Cables](#) category:

Click to view products by [Amphenol](#) manufacturer:

Other Similar products are found below :

[60963](#) [60964](#) [703000D02F2002](#) [703001D02F0602](#) [703001D02F300](#) [704000D02F120](#) [773032K02F030](#) [802027107404-1](#) [802027213811-1](#)
[804001A09M150](#) [805001A09M0502](#) [84914-0235](#) [84914-0237](#) [885030A09M020](#) [8R4J30E03C3003](#) [1200651332](#) [1200651713](#) [1200660844](#)
[1200660845](#) [1200661173](#) [1200680071](#) [1200720053](#) [1200720081](#) [1200720099](#) [1200720217](#) [1200800231](#) [1200860125](#) [1200870123](#)
[1200980102](#) [1200650267](#) [1200650298](#) [1200660183](#) [1200660782](#) [1200660849](#) [1200661295](#) [1200661297](#) [1200661342](#) [1200661343](#)
[1200670080](#) [1200670220](#) [1200680331](#) [1200720252](#) [1200730184](#) [1200860344](#) [1200870359](#) [1200870643](#) [1200980008](#) [1200980031](#)
[1210502211](#) [1210400542](#)