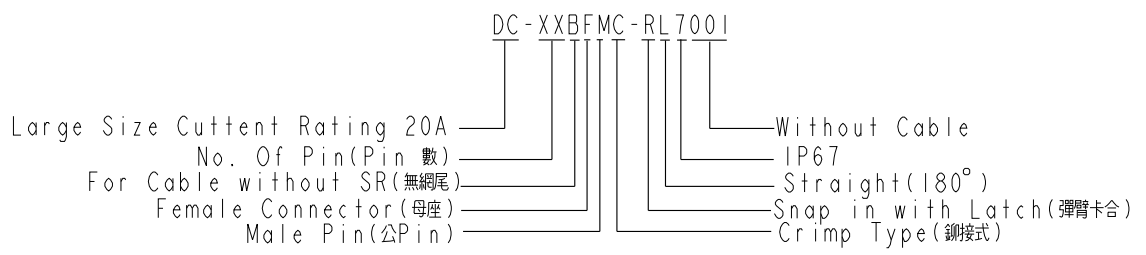
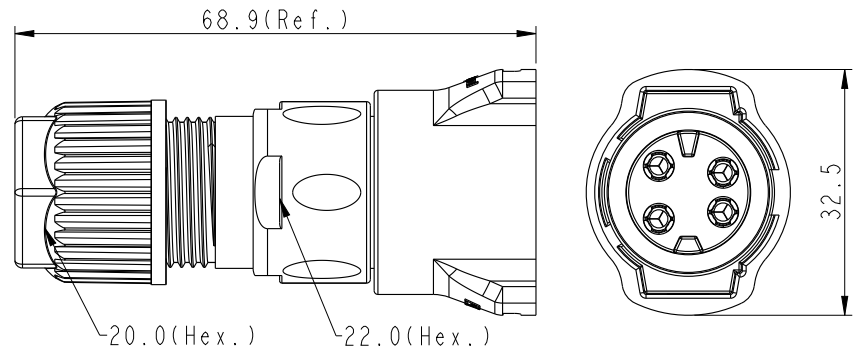
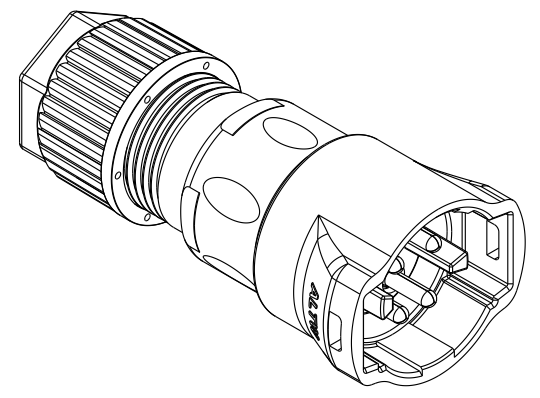
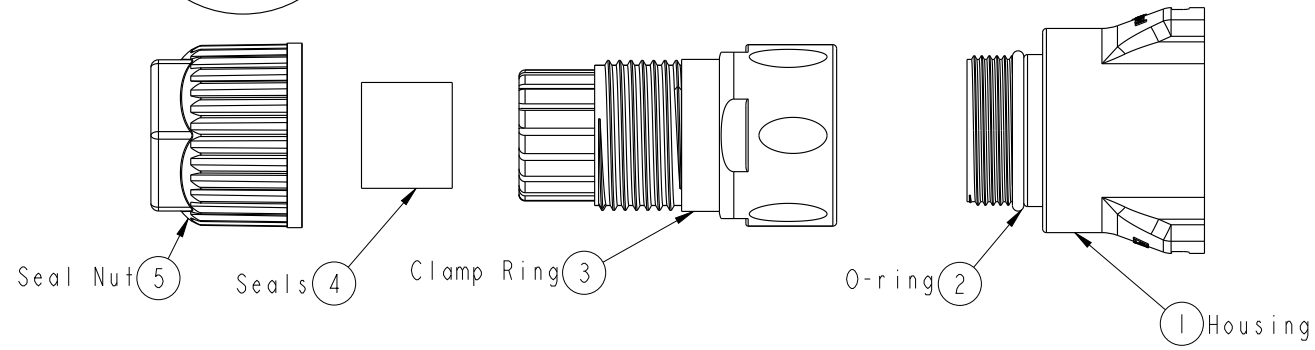


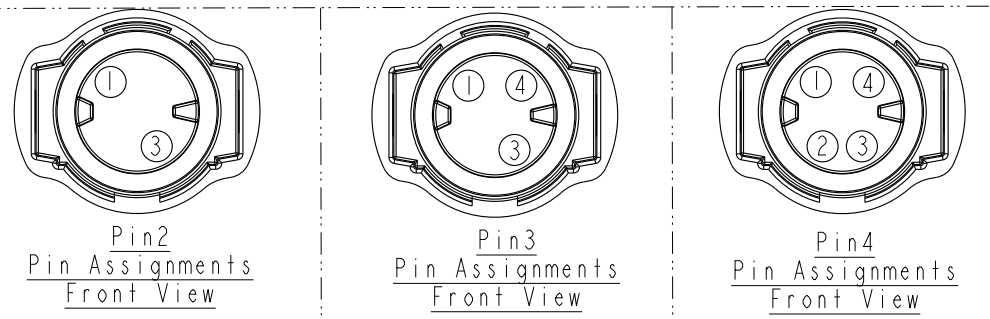
THIS DOCUMENT IS SUBJECT TO CHANGE WITHOUT NOTICE. IT IS CONFIDENTIAL AND A PROPERTY OF Amphenol LTW. DISCLOSURE TO THIRD PARTY HAS TO BE AUTHORIZED BY Amphenol LTW.

REV.	ECN NO.	DATE	SIGN	DESCRIPTION
A	Initial Release	2015/07/25	Mafei	Change Rev.01 To Rev.A
B	LEN1590195~197	2015/08/27	Mafei	Adding Key Point.

**ALTW**  
**CONFIDENTIAL**  
 2015-08-27  
**R&D DEPT.**



- Note:
- \* (5) Important Dimension To Check.
  - \* Waterproof Rate: IP67 (Mating)
  - \* Housing: M-PPE, Black, UL94 V-0, UL746C fl
  - \* Conductor Current Rating: Max.20A Depends On Wire
  - \* O-Ring: Silicone, Gray, UL94 V-0
  - \* Seals: Silicone, Gray, UL94 V-0
  - \* Clamp Ring: Nylon, Black, UL94 V-0, UL746C fl
  - \* Sealing Nut: Nylon, Black, UL94 V-0, UL746C fl
  - \* Seal For Cable OD:  $\varnothing 9.0\text{mm} \sim \varnothing 11.0\text{mm}$
  - \* Prohibiting the use of place in oils.
  - \* Clamp Ring Recommended Tightening Torque: 4~7 Kgf.cm (0.4~0.7 N.m)
  - \* Sealing Nut Recommended Tightening Torque: 8~15 Kgf.cm (0.8~1.5 N.m)



UNIT: mm

TOLERANCE	
.X	$\pm 0.25$
.XX	$\pm 0.1$
.XXX	$\pm 0.05$
ANGLES	$\pm 1^\circ$

TITLE ASSY RBL F CONN M PIN			
SCALE 1:1	SIZE A4	SHEET 1 OF 2	
REV. B	WC-REV. A.2	QC: Inspection item	

**Amphenol LTW**  
 安費諾亮泰企業股份有限公司

ITEM NO.	DRAWN BY Mafei	DATE 2015-08-27
DWG NO. DC-XXBFMC-RL7001	CHECKED BY Arthur	DATE 2015-08-27
CUSTOMER ALTW	APPROVED BY Jerry	DATE 2015-08-27

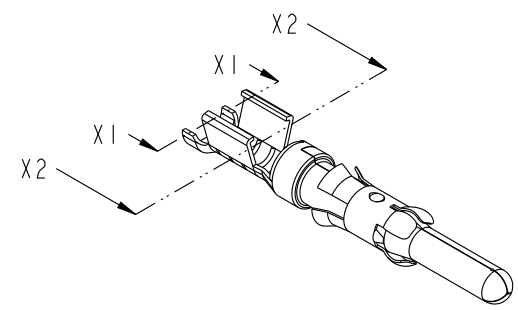
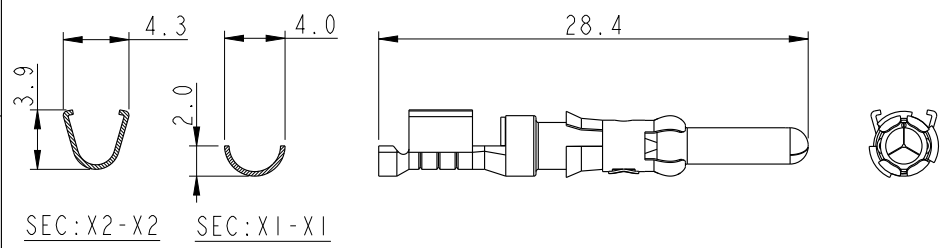
THIS DOCUMENT IS SUBJECT TO CHANGE WITHOUT NOTICE. IT IS CONFIDENTIAL AND A PROPERTY OF Amphenol LTW. DISCLOSURE TO THIRD PARTY HAS TO BE AUTHORIZED BY Amphenol LTW.

REV.	ECN NO.	DATE	SIGN	DESCRIPTION

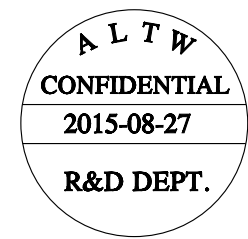
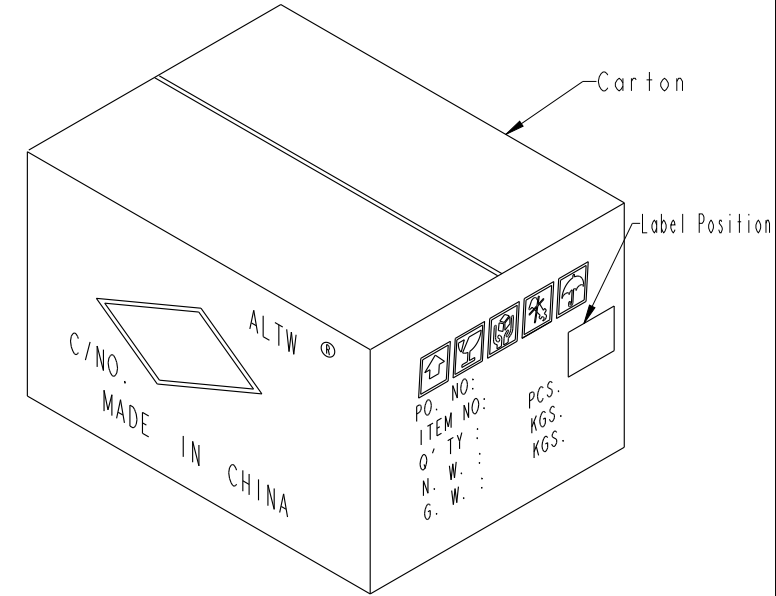
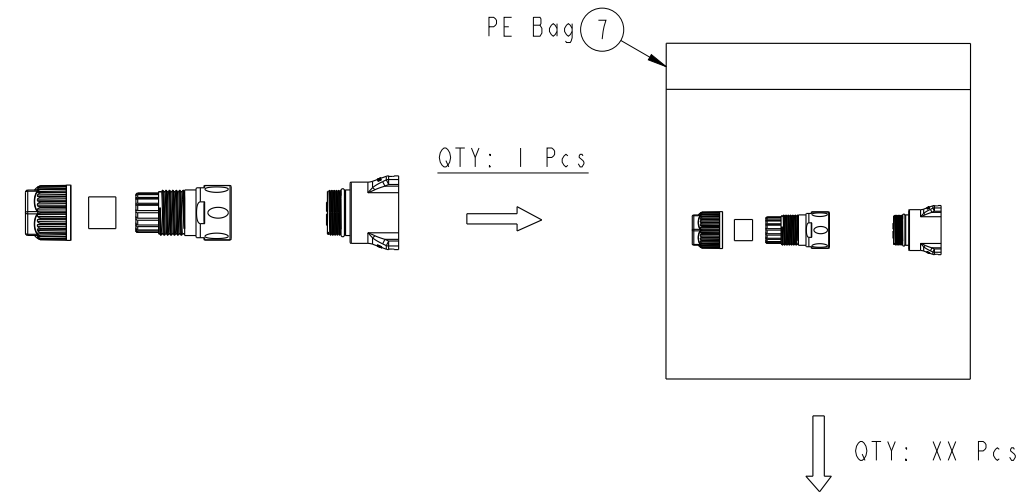
Optional Part: Terminal  
P/N: SAMI2C-XXG03

- 01: 1000Pcs/Reel
- 02: 500 Pcs Loose
- 03: 100 Pcs Loose

Contact Material: Copper Alloy, Gold Plated  
Current Rating: 20A.  
Wire Range: 12#~14#



Note:  
\* One Set Unassembled In One PE Bag.  
(每一組未組裝, 放置於一個PE袋, 並封口)



UNIT: mm			TITLE ASSY RBL F CONN M PIN
TOLERANCE .X ±0.25 .XX ±0.1 .XXX ±0.05 ANGLES ±1°	SCALE 1:1	SIZE A4	SHEET 2 OF 2
REV. B	WC-REV. A.2	QC: Inspection item	

**Amphenol LTW**  
安費諾亮泰企業股份有限公司

ITEM NO	DRAWN BY Mafei	DATE 2015/08/27
DWG NO DC-XXBFMC-RL7001	CHECKED BY Arthur	DATE 2015/08/27
CUSTOMER ALTW	APPROVED BY Jerry	DATE 2015/08/27

## X-ON Electronics

Largest Supplier of Electrical and Electronic Components

*Click to view similar products for [Standard Circular Connector](#) category:*

*Click to view products by [Amphenol](#) manufacturer:*

Other Similar products are found below :

[5M2530B10P](#) [600259N006](#) [600273N007](#) [6134-336-13149](#) [6134-337-11149](#) [6134-337-2390](#) [6134-341-17149](#) [6280-4SG-516](#) [6280-7SG-3DC](#)  
[6290](#) [6291A](#) [66200A-10](#) [680-SMG](#) [681-PMG](#) [CXS3102A14S2P](#) [CXS3102A181S](#) [7251-6SG-300](#) [7271-6SG-300](#) [7282-3PG-300-CH3](#) [75-](#)  
[474014-05S](#) [75-474618-01S](#) [75-474618-04P](#) [75-474618-04S](#) [799539-000](#) [MI8-SE](#) [805-005-07NF11-19PC](#) [805-005-07NF15-7PA](#) [8280-4PG-](#)  
[516](#) [8280-7PG-519](#) [8282-5PG-519](#) [836783-1](#) [MP-4102-25P-C](#) [862256-1](#) [864019-2](#) [866857-1](#) [867865-1](#) [PT01SP-14-18P](#) [PT08P-14-5S](#)  
[PTSF06SE-14-12S](#) [120-1833-000](#) [QCM019PC2DC012B](#) [1-2069279-1](#) [121583-0217](#) [121667-0020](#) [129591AU](#) [1000B BULK](#) [RD10A16-19-](#)  
[P6CS051/1](#) [RD10A20-31-P8CS051/1](#) [RD16A14-12-S6CS051/2](#) [1301240290](#) [1301240347](#)