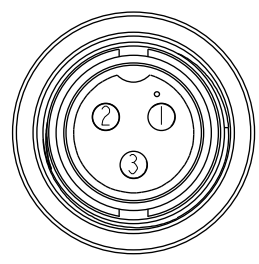
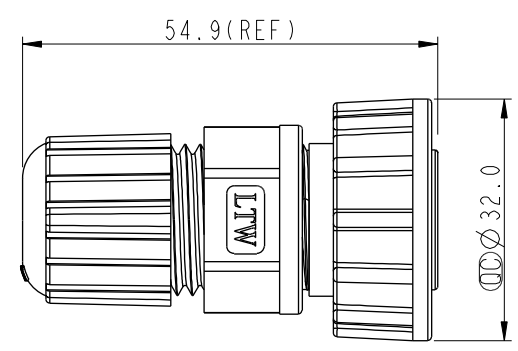
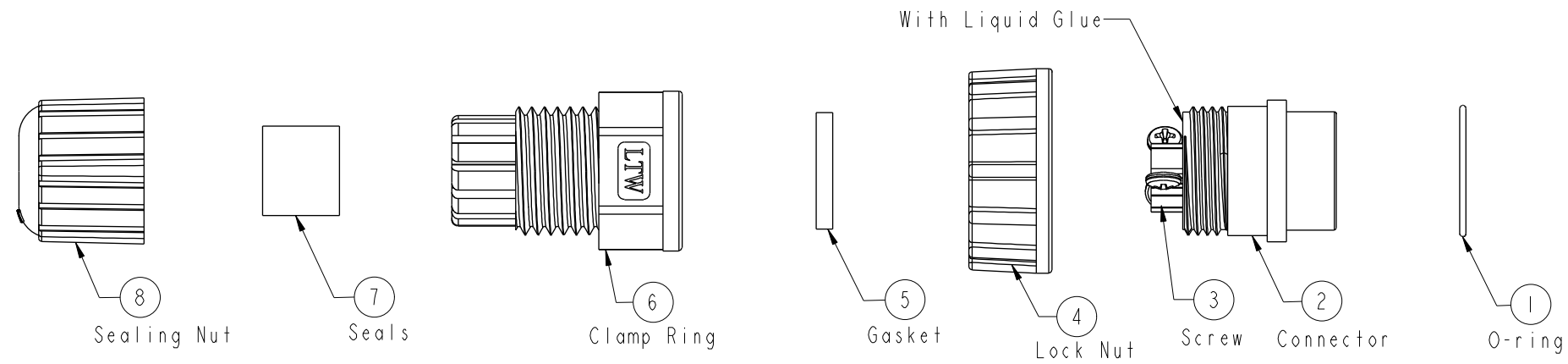


THIS DOCUMENT IS SUBJECT TO CHANGE WITHOUT NOTICE. IT IS CONFIDENTIAL AND A PROPERTY OF Amphenol LTW. DISCLOSURE TO THIRD PARTY HAS TO BE AUTHORIZED BY Amphenol LTW.

REV.	ECN NO.	DATE	SIGN	DESCRIPTION
B	LE3-960044	2009/06/22	Prune	Change The Note And 螺牙
C	LEN1450150	2014/05/22	Sam	Modify title



Pin Assignments
Front View



Note:

- * (CC) Important Dimension To Check.
- * Waterproof Rate: IP67
- * Housing: Nylon+GF
- * Male Pin: Copper Alloy, Gold Plated
- * Liquid Glue: Clear
- * Screw: Stainless Steel
- * Ring: Black, EPDM
- * Nut: Black, Nylon+GF
- * Gasket: Black, Silicone
- * Clamping Ring: Black, Nylon
- * Seals: Black, EPDM
- * Sealing Nut: Black, Nylon
- * Seal For Cable OD: $\varnothing 5.5\text{mm} \sim 10.8\text{mm}$
- * One Set Unassembled In One PE Bag
- * Application AWG: 14~16AWG

PE Pag 9
9
A

UNIT: mm TOLERANCE .X ±0.25 .XX ±0.1 .XXX ±0.05 ANGLES ±1°	TITLE Large Assy Screw 3Pin F Conn M Pin			Amphenol LTW 安費諾亮泰企業股份有限公司		ITEM NO	DC-03BFMB-SL7001	DRAWN BY	Sam	DATE	2014-05-22					
	SCALE	1:1	SIZE			A4	SHEET	1	OF	1	DWG NO	DC-03BFMB-SL7001	CHECKED BY	Vicky	DATE	2014-05-22
	REV.	C	WC-REV.			A.2	(CC): Inspection item		CUSTOMER	ALTW	APPROVED BY	Rita	DATE	2014-05-22		

X-ON Electronics

Largest Supplier of Electrical and Electronic Components

Click to view similar products for [Standard Circular Connector](#) category:

Click to view products by [Amphenol](#) manufacturer:

Other Similar products are found below :

[5M2530B10P](#) [600259N006](#) [600273N007](#) [6134-336-13149](#) [6134-337-11149](#) [6134-337-2390](#) [6134-341-17149](#) [6280-4SG-516](#) [6280-7SG-3DC](#)
[6290](#) [6291A](#) [66200A-10](#) [680-SMG](#) [681-PMG](#) [CXS3102A14S2P](#) [CXS3102A181S](#) [7251-6SG-300](#) [7271-6SG-300](#) [7282-3PG-300-CH3](#) [75-](#)
[474014-05S](#) [75-474618-01S](#) [75-474618-04S](#) [799539-000](#) [MI8-SE](#) [805-005-07NF11-19PC](#) [805-005-07NF15-7PA](#) [8280-4PG-516](#) [8280-7PG-](#)
[519](#) [8282-5PG-519](#) [836783-1](#) [MP-4102-25P-C](#) [862256-1](#) [864019-2](#) [866857-1](#) [867865-1](#) [PT01SP-14-18P](#) [PT08P-14-5S](#) [PTSF06SE-14-12S](#)
[120-1833-000](#) [QCM019PC2DC012B](#) [1-2069279-1](#) [121583-0217](#) [121667-0020](#) [129591AU](#) [1000B BULK](#) [RD10A16-19-P6CS051/1](#)
[RD10A20-31-P8CS051/1](#) [RD16A14-12-S6CS051/2](#) [1301240290](#) [1301240347](#) [1301860202](#)