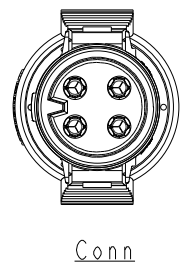
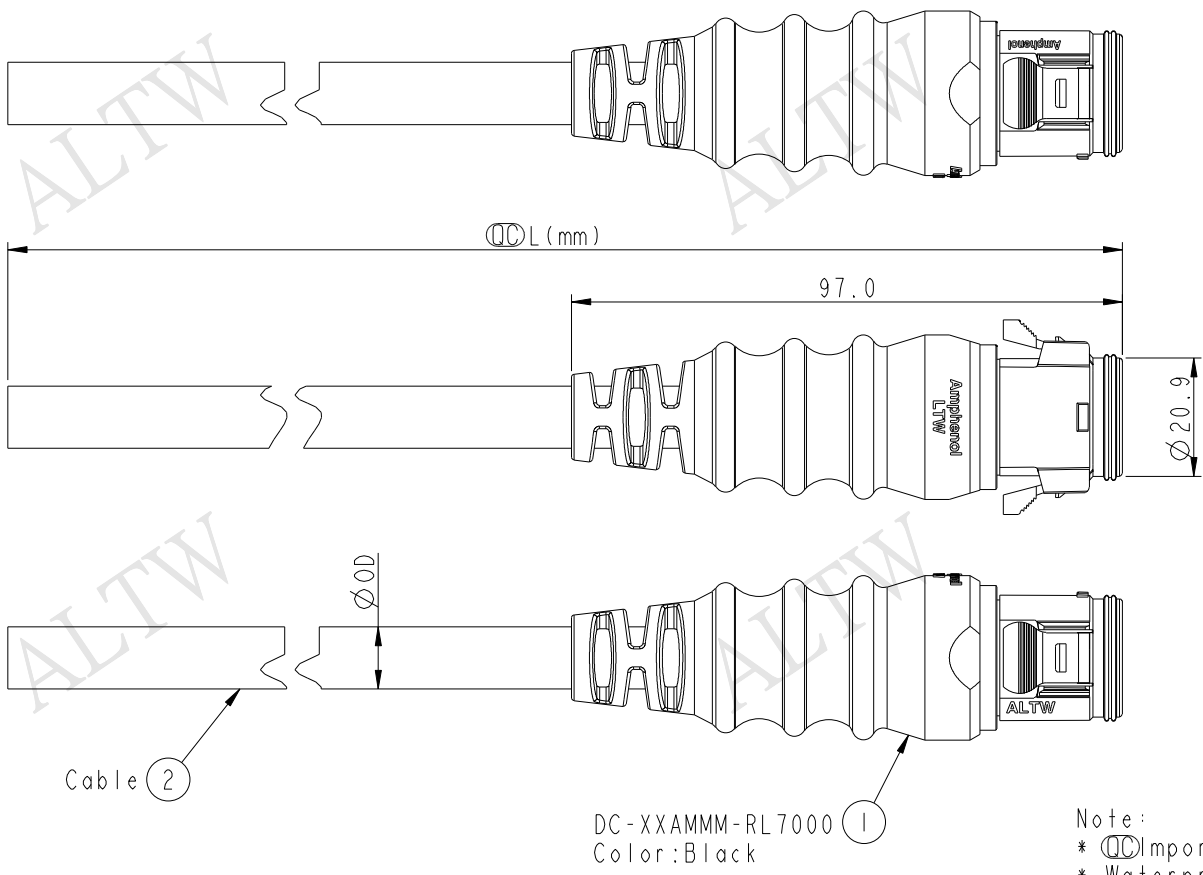


REV.	ECN NO.	DATE	SIGN	DESCRIPTION

ALTW
 CONFIDENTIAL
 2015-07-27
 R&D DEPT.



- Note:
- * L Important Dimension To Check.
 - * Waterproof Rate: IP67
 - * Housing: M-PPE, Black.
 - * Male Pin: Copper Alloy, Gold Plated.
 - * Gasket: Silicone, Gray
 - * Cable: UL2464 12# ,PVC Jacket ,UV Resistant, Black
 - * Cable Length Tolerance: 01M:±40mm
 02M~05M:±60mm
 06M~10M:±100mm
 11M~30M:±200mm
 31M~99M:±500mm
- * Prohibiting the use of place in oils

DC-02AMMM-RL7AXX	∅9.5
DC-03AMMM-RL7AXX	∅10
DC-04AMMM-RL7AXX	∅11
Part No.	Cable OD

UNIT:mm			TITLE LARGE CABLE M CONN M PIN		
TOLERANCE ±0.5	SCALE 3:4	SIZE A4	SHEET 1	OF 2	REV. A
	WC-REV. A.6	QC : Inspection item			

Amphenol LTW
 安費諾亮泰企業股份有限公司

ITEM NO	DRAWN BY Lu Di	DATE 2015/07/27
DWG NO DC-XXAMMM-RL7AXX	CHECKED BY Joyy	DATE 2015/07/27
CUSTOMER ALTW	APPROVED BY Jerry	DATE 2015/07/27

THIS DOCUMENT IS SUBJECT TO CHANGE WITHOUT NOTICE. IT IS CONFIDENTIAL AND A PROPERTY OF Amphenol LTW. DISCLOSURE TO THIRD PARTY HAS TO BE AUTHORIZED BY Amphenol LTW.

THIS DOCUMENT IS SUBJECT TO CHANGE WITHOUT NOTICE. IT IS CONFIDENTIAL AND A PROPERTY OF AMPHENOL LTW. DISCLOSURE TO THIRD PARTY HAS TO BE AUTHORIZED BY AMPHENOL LTW.

1 2 3 4 5 6 7 8

F

E

D

C

B

A

DC-XXAMMM-RL7A XX

Large Size Current Rating 20A

XX:No. Of Pin(Pin 數)

A:Cable With S/R(線端帶網尾)

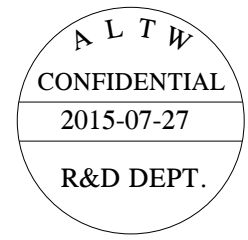
M:Male Connector(公座)

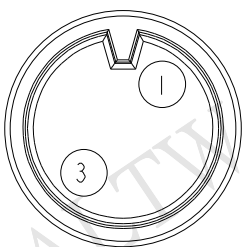
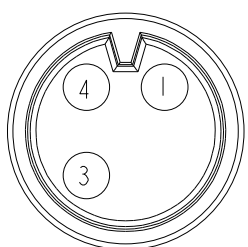
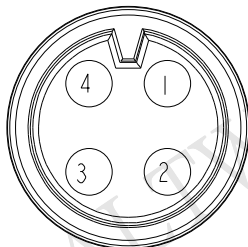
M:Male Pin(公Pin)

M:Molding Type(射出成型)

XX:01~99Meter
 01:01Meter
 02:02Meter
 ...
 99:99Meter

A:UL 2464 Cable
 7:IP67(防水等級 67)
 L:Straight(180°)
 R:Snap In With Latch(彈臂卡合式)



Pin Out	4 -- 3 White 白 2 -- 1 Black 黑	4 Green 綠 3 White 白 2 -- 1 Black 黑	4 Green 綠 3 White 白 2 Red 紅 1 Black 黑
Pin Assignments Front View	 2Pin	 3Pin	 4Pin

UNIT:mm TOLERANCE ±0.5	TITLE LARGE CABLE M CONN M PIN		Amphenol LTW 安費諾亮泰企業股份有限公司	ITEM NO	DRAWN BY Lu Di	DATE 2015/07/27	
	SCALE 3:4	SIZE A4		SHEET 2 OF 2	DWG NO DC-XXAMMM-RL7AXX	CHECKED BY Joyy	DATE 2015/07/27
	REV. A	WC-REV. A.6		QC: Inspection item	CUSTOMER ALTW	APPROVED BY Jerry	DATE 2015/07/27

1 2 3 4 5 6 7 8 FMM10702-01-02A1

X-ON Electronics

Largest Supplier of Electrical and Electronic Components

Click to view similar products for [Sensor Cables / Actuator Cables](#) category:

Click to view products by [Amphenol](#) manufacturer:

Other Similar products are found below :

[60963](#) [60964](#) [703000D02F2002](#) [703001D02F0602](#) [703001D02F300](#) [704000D02F120](#) [773032K02F030](#) [802027107404-1](#) [802027213811-1](#)
[804001A09M150](#) [805001A09M0502](#) [84914-0235](#) [84914-0237](#) [885030A09M020](#) [8R4J30E03C3003](#) [1200651332](#) [1200651713](#) [1200660844](#)
[1200660845](#) [1200661173](#) [1200680071](#) [1200720053](#) [1200720081](#) [1200720099](#) [1200720217](#) [1200800231](#) [1200860125](#) [1200870123](#)
[1200980102](#) [1200650267](#) [1200650298](#) [1200660183](#) [1200660782](#) [1200660849](#) [1200661295](#) [1200661297](#) [1200661342](#) [1200661343](#)
[1200670080](#) [1200670220](#) [1200680331](#) [1200720252](#) [1200730184](#) [1200860344](#) [1200870359](#) [1200870643](#) [1200980008](#) [1200980031](#)
[1210502211](#) [1210400542](#)