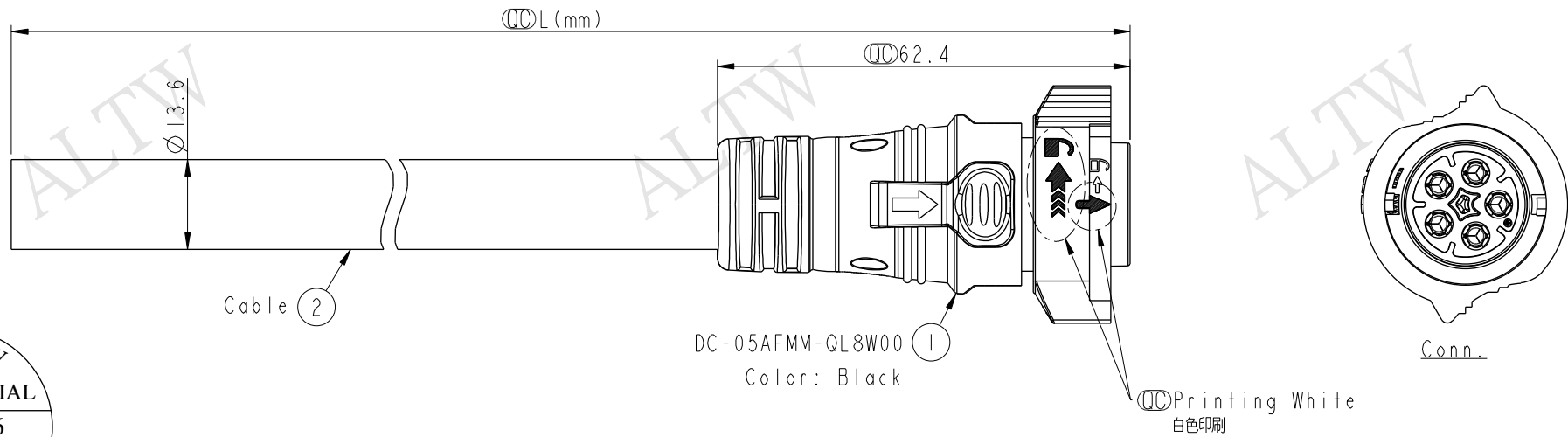
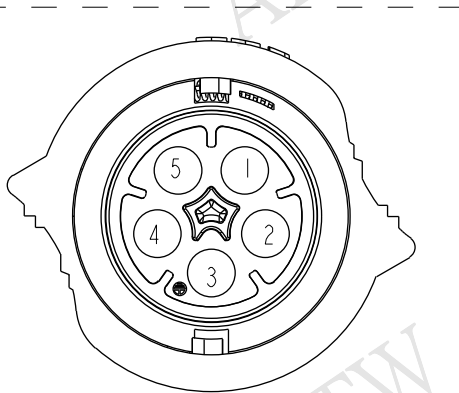


REV.	ECN NO.	DATE	SIGN	DESCRIPTION
A	Initial Release	2016-02-16	Wes	Change Rev.01 To Rev.A



ALTW
CONFIDENTIAL
2016-02-16
R&D DEPT.



Pin Assignments
Front View

5	Brown	棕
4	Red	紅
3	Green	綠
2	White	白色
1	Black	黑
Conn.	Wire Color	Pin Out

DC-05AFMM-QL8EXX

XX : 01~99Meters
01 : 01Meter
02 : 02Meters
:
:
99 : 99Meters

Cable Length(L): 01~99Meters

- Note:
- * \varnothing Important Dimension To Check.
 - * Working Voltage Rating: AC 300V
 - * Working Current Rating: Max.20A
 - * Waterproof Rate: IP68(Mated)
In 1 meters water within 24hours.
 - * Housing: Nylon+GF, Black (UV Resistance)
 - * Male Pin: Copper Alloy, Gold & Ni Plated
 - * Cable: SJTW 12AWG*5C, PVC Jacket,
OD=13.6, Black.
 - * Cable Length Tolerance: 01M:±40mm
02M~05M:±60mm
06M~10M:±100mm
11M~30M:±200mm
31M~99M:±500mm

UNIT:mm
TOLERANCE ±0.5

TITLE X-Lok D Size Cable Molding 5Pin F Connector M Pin(20A)			
SCALE 1:1	SIZE A4	SHEET 1 OF 1	
REV. A	WC-REV. A.5	\varnothing : Inspection item	

Amphenol LTW
安費諾亮泰企業股份有限公司

ITEM NO	DRAWN BY Wes	DATE 2016-02-16
DWG NO DC-05AFMM-QL8EXX	CHECKED BY Spring	DATE 2016-02-16
CUSTOMER ALTW	APPROVED BY Kevin	DATE 2016-02-16

THIS DOCUMENT IS SUBJECT TO CHANGE WITHOUT NOTICE. IT IS CONFIDENTIAL AND A PROPERTY OF AMPHENOL LTW. DISCLOSURE TO THIRD PARTY HAS TO BE AUTHORIZED BY AMPHENOL LTW.

X-ON Electronics

Largest Supplier of Electrical and Electronic Components

Click to view similar products for [Standard Circular Connector](#) category:

Click to view products by [Amphenol](#) manufacturer:

Other Similar products are found below :

[5M2530B10P](#) [600259N006](#) [600273N007](#) [6134-336-13149](#) [6134-337-11149](#) [6134-337-2390](#) [6134-341-17149](#) [6280-4SG-516](#) [6280-7SG-3DC](#)
[6290](#) [6291A](#) [66200A-10](#) [680-SMG](#) [681-PMG](#) [CXS3102A14S2P](#) [CXS3102A181S](#) [7251-6SG-300](#) [7271-6SG-300](#) [7282-3PG-300-CH3](#) [75-](#)
[474014-05S](#) [75-474618-01S](#) [75-474618-04P](#) [75-474618-04S](#) [799539-000](#) [MI8-SE](#) [805-005-07NF11-19PC](#) [805-005-07NF15-7PA](#) [8280-4PG-](#)
[516](#) [8280-7PG-519](#) [8282-5PG-519](#) [836783-1](#) [MP-4102-25P-C](#) [862256-1](#) [864019-2](#) [866857-1](#) [867865-1](#) [PT01SP-14-18P](#) [PT08P-14-5S](#)
[PTSF06SE-14-12S](#) [120-1833-000](#) [QCM019PC2DC012B](#) [1-2069279-1](#) [121583-0217](#) [121667-0020](#) [129591AU](#) [1000B BULK](#) [RD10A16-19-](#)
[P6CS051/1](#) [RD10A20-31-P8CS051/1](#) [RD16A14-12-S6CS051/2](#) [1301240290](#) [1301240347](#)