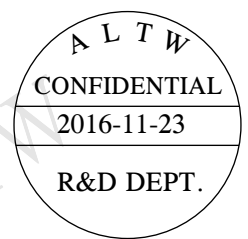
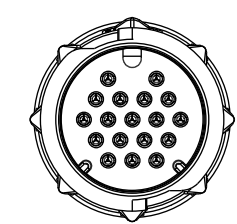
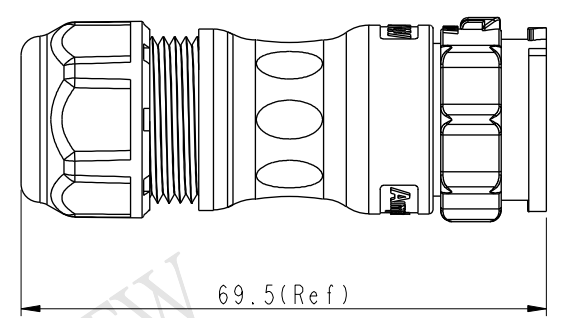
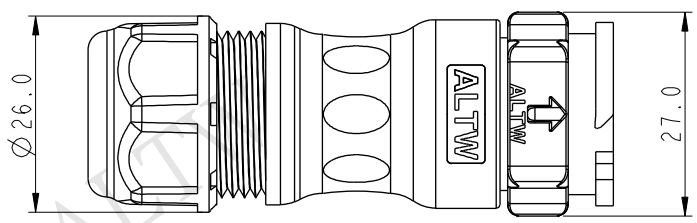
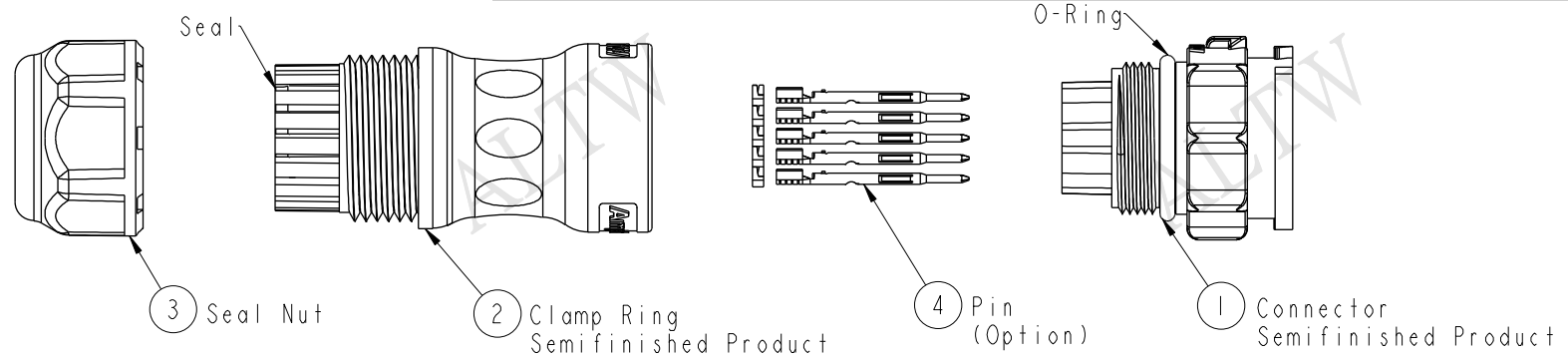


THIS DOCUMENT IS SUBJECT TO CHANGE WITHOUT NOTICE. IT IS CONFIDENTIAL AND A PROPERTY OF Amphenol LTW. DISCLOSURE TO THIRD PARTY HAS TO BE AUTHORIZED BY Amphenol LTW.

REV.	ECN NO.	DATE	SIGN	DESCRIPTION
A		2016/11/23	Victor Hung	Change Rev.01 To Rev.A



**Material Specification:**

- \* Connector: Nylon+GF, Black.
- \* Pins: Copper Alloy, Gold Plated.
- \* Seal & O-Ring: Silicone, Gray.
- \* UL Rated: UL 94V-0, fl.
- \* RoHS Compliant.

**Electrical Specification:**

- \* Contact Resistance: 10mΩ Max.
- \* Insulation Resistance: 100MΩ Min.
- \* Dielectric Withstand Voltage: 1,600 Vac.

**Mechanical Specification:**

- \* Durability: 1000 Cycles.
- \* Tensile strength: 10 kgf.
- \* Wire Conductor:
  - 5A: 22AWG~20AWG
  - 20A: 14AWG~12AWG
- \* Wire Insulation OD:
  - 5A: 1.9mm Max.
  - 20A: 4.3mm Max.
- \* Torque Force for Clamp Ring: 6~8 kgf-cm
- \* Torque Force for Seal Nut: 6~8 kgf-cm

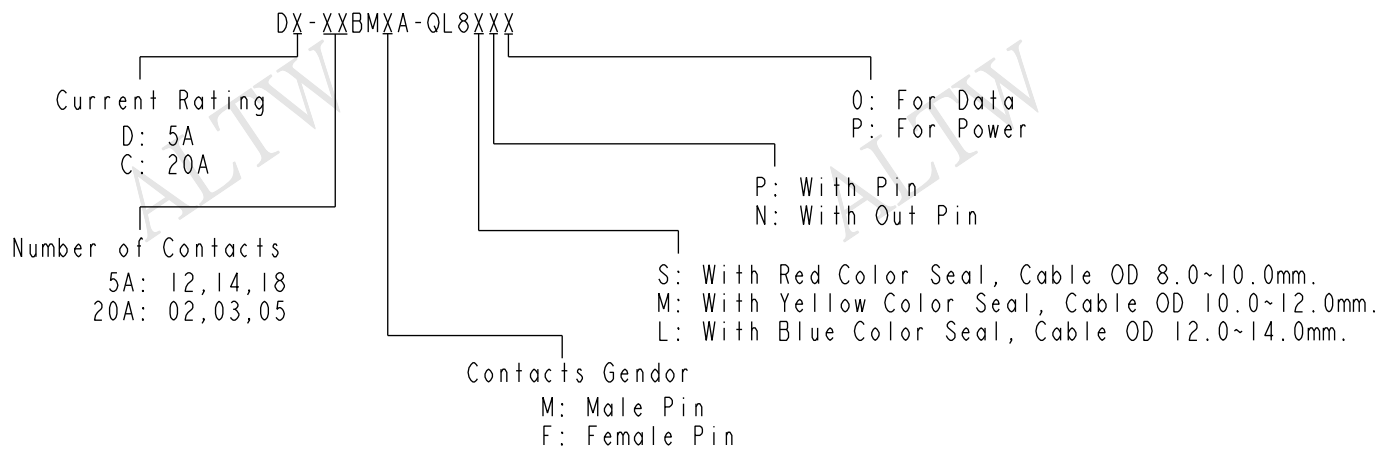
**Environmental Specification:**

- \* Waterproof Rating: IP68(Mated, 1M/24 Hours)
- \* Temperature Range: -40°C to 105°C.
- \* Salt Spray: Mated, 1000 Hours.
- \* Safety Compliance: UL 1977.

UNIT:mm TOLERANCE ±0.5 mm	TITLE X-Lok D-Size Field Installable Cable Type M Conn		<h1 style="text-align: center;">Amphenol LTW</h1> <h2 style="text-align: center;">安費諾亮泰企業股份有限公司</h2>		ITEM NO	DRAWN BY Victor Hung	DATE 2016/11/23
	SCALE 8:5	SIZE A4			SHEET 1 OF 2	DWG NO DX-XXBMA-QL8XXX	CHECKED BY Wes Fan
	REV. A	WC-REV. A.3	QC: Inspection item	CUSTOMER ALTW	APPROVED BY Kevin Hu	DATE 2016/11/23	

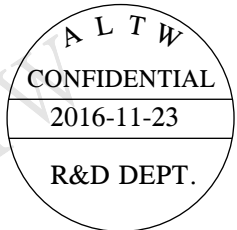
THIS DOCUMENT IS SUBJECT TO CHANGE WITHOUT NOTICE. IT IS CONFIDENTIAL AND A PROPERTY OF AMPHENOL LTW. DISCLOSURE TO THIRD PARTY HAS TO BE AUTHORIZED BY AMPHENOL LTW.

Ordering Information:



Mating Connector:  
 Overmolded with Cable: DX-XXAFXM-QL8XXX  
 Receptacle: DX-XXXFXS-QX8001  
 Field Installable: DX-XXBFXA-QL8XXX

Tool Part No:  
 ASST-C-XXA-W-X



Pin Assignments Front View	20A ; 300Vac/Vdc 2 Contacts(02)	20A ; 300Vac/Vdc 3 Contacts(03)	20A ; 300Vac/Vdc 5 Contacts(05)	5A ; 300Vac/Vdc 12 Contacts(12)	5A ; 300Vac/Vdc 14 Contacts(14)	5A ; 300Vac/Vdc 18 Contacts(18)
Male Pin						
Female Pin						

UNIT:mm  TOLERANCE ±0.5 mm	TITLE <b>X-Lok D-Size Field Installable Cable Type M Conn</b>			<b>Amphenol LTW</b> <b>安費諾亮泰企業股份有限公司</b>		ITEM NO DX-XXBMXA-QL8XXX	DRAWN BY Victor Hung	DATE 2016/11/23
	SCALE 8:5	SIZE A4	SHEET 2 OF 2	Inspection item		DWG NO DX-XXBMXA-QL8XXX	CHECKED BY Wes Fan	DATE 2016/11/23
	REV. A	WC-REV. A.3	CUSTOMER ALTW			APPROVED BY Kevin Hu	DATE 2016/11/23	

## X-ON Electronics

Largest Supplier of Electrical and Electronic Components

*Click to view similar products for [Standard Circular Connector](#) category:*

*Click to view products by [Amphenol](#) manufacturer:*

Other Similar products are found below :

[5M2530B10P](#) [600259N006](#) [600273N007](#) [6134-336-13149](#) [6134-337-11149](#) [6134-337-2390](#) [6134-341-17149](#) [6280-4SG-516](#) [6280-7SG-3DC](#)  
[6290](#) [6291A](#) [66200A-10](#) [680-SMG](#) [681-PMG](#) [CXS3102A14S2P](#) [CXS3102A181S](#) [7251-6SG-300](#) [7271-6SG-300](#) [7282-3PG-300-CH3](#) [75-](#)  
[474014-05S](#) [75-474618-01S](#) [75-474618-04P](#) [75-474618-04S](#) [799539-000](#) [MI8-SE](#) [805-005-07NF11-19PC](#) [805-005-07NF15-7PA](#) [8280-4PG-](#)  
[516](#) [8280-7PG-519](#) [8282-5PG-519](#) [836783-1](#) [MP-4102-25P-C](#) [862256-1](#) [864019-2](#) [866857-1](#) [867865-1](#) [PT01SP-14-18P](#) [PT08P-14-5S](#)  
[PTSF06SE-14-12S](#) [120-1833-000](#) [QCM019PC2DC012B](#) [1-2069279-1](#) [121583-0217](#) [121667-0020](#) [129591AU](#) [1000B BULK](#) [RD10A16-19-](#)  
[P6CS051/1](#) [RD10A20-31-P8CS051/1](#) [RD16A14-12-S6CS051/2](#) [1301240290](#) [1301240347](#)