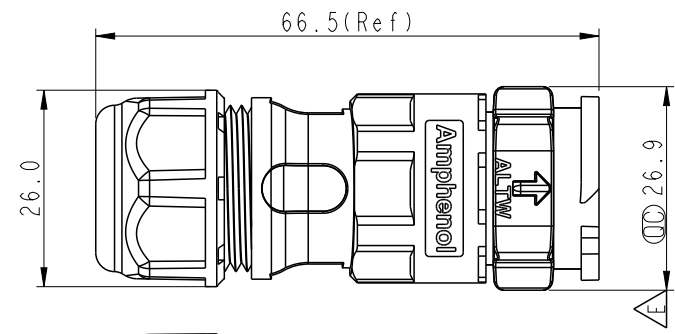
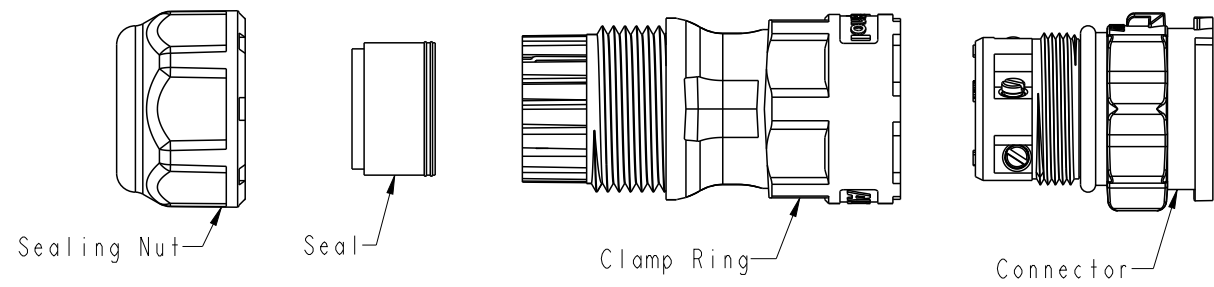


THIS DOCUMENT IS SUBJECT TO CHANGE WITHOUT NOTICE. IT IS CONFIDENTIAL AND A PROPERTY OF Amphenol LTW. DISCLOSURE TO THIRD PARTY HAS TO BE AUTHORIZED BY Amphenol LTW.

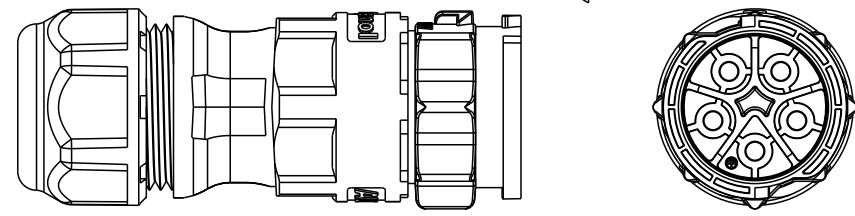
| REV. | ECN NO. | DATE | SIGN | DESCRIPTION |
|------|---------|------------|------------|-----------------------|
| D | C191385 | 2019/08/02 | Siou | Revise Rated Voltage. |
| E | E191814 | 2019/10/24 | Ruru | △E x 3 |
| F | C210786 | 2021/06/06 | Angel Chou | △F x 5 |



DC-XXBMMB-QL8XPP

△ 02-2 Pin
 03-3 Pin
 △ 04-4 Pin
 05-5 Pin

S: With Red Color Seal 1, Cable OD 8.0~10.0mm.
 M: With Yellow Color Seal 2, Cable OD 10.0~12.0mm.
 L: With Blue Color Seal 3, Cable OD 12.0~14.0mm.
 A: With Seal 1 & Seal 2 & Seal 3.



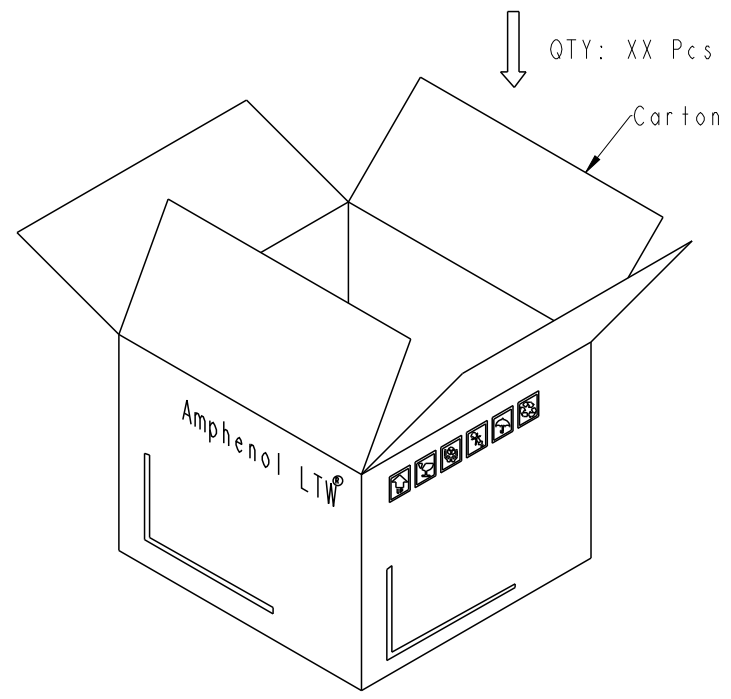
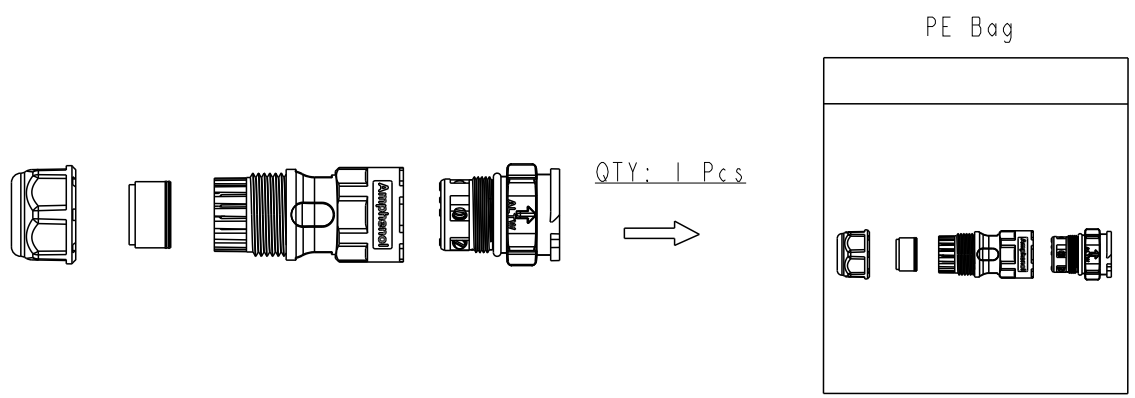
| Pin Assignments Front View | △F | △F | △F | △F |
|----------------------------|-------|-------|-------|----|
| | | | | |
| 2 Pin | 3 Pin | 4 Pin | 5 Pin | |

△E △F Note:

- * RoHS Compliant
- * Ⓞ Important Dimension
- * Waterproof Rate: IPX8, Mated 1m/24h
- * Connector Housing: Thermoplastic, Black
- Pin: Copper Alloy, Gold Plated
- Clamp Ring: Thermoplastic, Black
- Sealing Nut: Thermoplastic, Black
- Seals: Rubber

| | | | | | | | |
|----------------------|--|---|--------------------------------------|---------------------|----------------------------|---------------------|--------------------|
| UNIT:mm | | TITLE XLOK, D-20A, 03P, CABLE W/O SR M, M, FI SCREW IN, XLOK △E | Amphenol LTW 安費諾亮泰企業股份有限公司 | | ITEM NO | DRAWN BY Siou | DATE 2019-08-02 |
| TOLERANCE ±0.5 mm | | SCALE 8:5 | SIZE A4 | SHEET 1 OF 2 | DWG NO DC-XXBMMB-QL8XPP | CHECKED BY Eagle | DATE 2019-08-02 |
| | | REV. F | WC-REV. A.3 | QC: Inspection item | CUSTOMER ALTW | APPROVED BY Neo | DATE 2019-08-02 |

THIS DOCUMENT IS SUBJECT TO CHANGE WITHOUT NOTICE. IT IS CONFIDENTIAL AND A PROPERTY OF Amphenol LTW. DISCLOSURE TO THIRD PARTY HAS TO BE AUTHORIZED BY Amphenol LTW.



Note:
 * One Set Unassembled In One PE Bag.
 (每一組未組裝, 放置於一個PE袋, 並封口, 如圖示)
 △ * Label is Attached To PE Bag Front.
 (標籤貼在PE袋正面)

| | |
|----------------------|--|
| UNIT:mm | |
| TOLERANCE ±0.5 mm | |

| | | | |
|--|----------------|-----------------|--|
| TITLE XLOK, D-20A, 03P, CABLE W/O SR M, M, FI SCREW IN, XLOK | | | |
| SCALE 8:5 | SIZE A4 | SHEET 2 OF 2 | |
| REV. F | WC-REV. A.3 | Inspection item | |

Amphenol LTW
 安費諾亮泰企業股份有限公司

| | | |
|----------------------------|---------------------|--------------------|
| ITEM NO | DRAWN BY Siou | DATE 2019-08-02 |
| DWG NO DC-XXBMMB-QL8XPP | CHECKED BY Eagle | DATE 2019-08-02 |
| CUSTOMER ALTW | APPROVED BY Neo | DATE 2019-08-02 |

X-ON Electronics

Largest Supplier of Electrical and Electronic Components

Click to view similar products for [Standard Circular Connector](#) category:

Click to view products by [Amphenol](#) manufacturer:

Other Similar products are found below :

[5M2530B10P](#) [600259N006](#) [600273N007](#) [6134-336-13149](#) [6134-337-11149](#) [6134-337-2390](#) [6134-341-17149](#) [6280-4SG-516](#) [6280-7SG-3DC](#)
[6290](#) [6291A](#) [66200A-10](#) [680-SMG](#) [681-PMG](#) [CXS3102A14S2P](#) [CXS3102A181S](#) [7251-6SG-300](#) [7271-6SG-300](#) [7282-3PG-300-CH3](#) [75-](#)
[474014-05S](#) [75-474618-01S](#) [75-474618-04P](#) [75-474618-04S](#) [799539-000](#) [MI8-SE](#) [805-005-07NF11-19PC](#) [805-005-07NF15-7PA](#) [8280-4PG-](#)
[516](#) [8280-7PG-519](#) [8282-5PG-519](#) [836783-1](#) [MP-4102-25P-C](#) [862256-1](#) [864019-2](#) [866857-1](#) [867865-1](#) [PT01SP-14-18P](#) [PT08P-14-5S](#)
[PTSF06SE-14-12S](#) [120-1833-000](#) [QCM019PC2DC012B](#) [1-2069279-1](#) [121583-0217](#) [121667-0020](#) [129591AU](#) [1000B BULK](#) [RD10A16-19-](#)
[P6CS051/1](#) [RD10A20-31-P8CS051/1](#) [RD16A14-12-S6CS051/2](#) [1301240290](#) [1301240347](#)