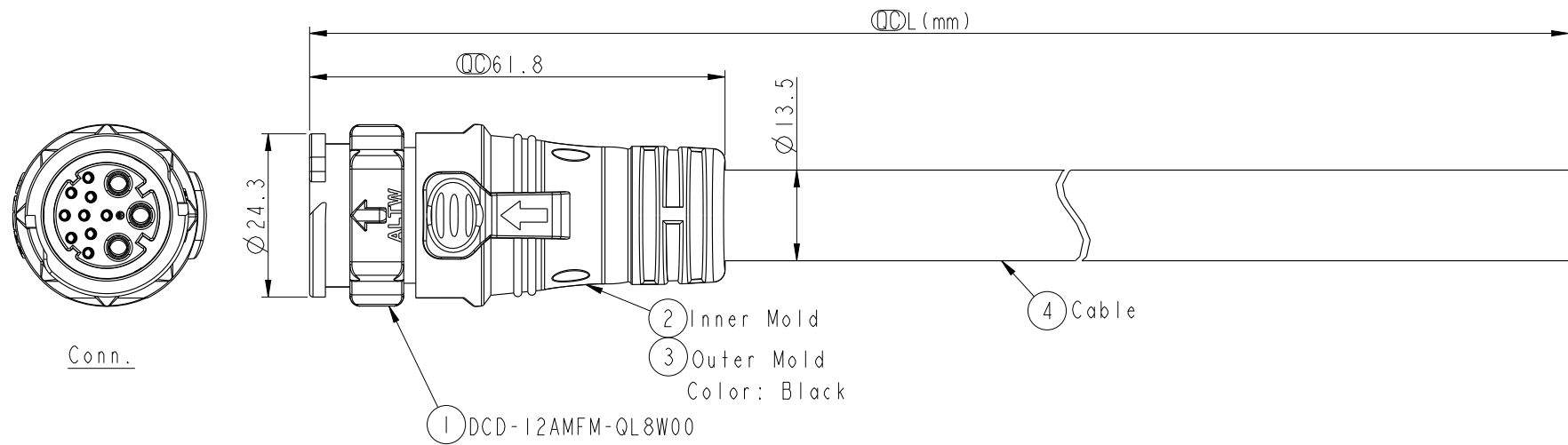
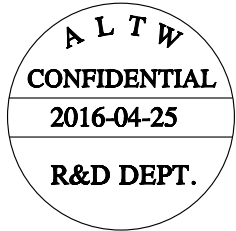


THIS DOCUMENT IS SUBJECT TO CHANGE WITHOUT NOTICE. IT IS CONFIDENTIAL AND A PROPERTY OF Amphenol LTW. DISCLOSURE TO THIRD PARTY HAS TO BE AUTHORIZED BY Amphenol LTW.

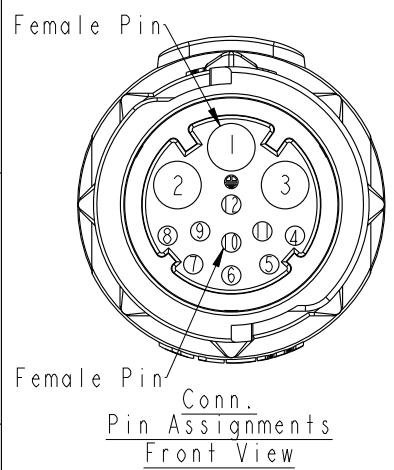
REV.	ECN NO.	DATE	SIGN	DESCRIPTION
A	Initial Release	2016-04-25	Spring	Change Rev.01 To Rev.A



- Note:
- * \varnothing Important Dimension To Check.
 - * Waterproof Rate: IP68(Mated, 1M/24hr)
 - * Working Voltage Rating:
Power AC/DC 300V
Data DC 30V
 - * Working Current:
Power: 20A
Data: 05A
 - * Housing: Nylon+GF, Black
 - * Female Pin: Copper Alloy, Gold & Ni Plated
 - * Cable: UL21996 3C*12AWG+(26#*4P+D+AL)+F+AL/MY, PVC Jacket, OD=13.5, Black.
 - * Cable Length Tolerance: 01M:±40mm
02M~05M:±60mm
06M~10M:±100mm
11M~30M:±200mm
31M~99M:±500mm



DCD-12AMFM-QL8FXX
 XX : 01~99Meters
 01 : 01Meter
 02 : 02Meters
 :
 :
 99 : 99Meters
 Cable Length(L): 01~99Meters



12	Drain	(26AWG)	地線	
11	Gray	(26AWG)	灰	Twist 對線
10	Yellow	(26AWG)	黃	
9	Orange	(26AWG)	橘	Twist 對線
8	Violet	(26AWG)	紫	
7	Blue	(26AWG)	藍	Twist 對線
6	Red	(26AWG)	紅	
5	Green	(26AWG)	綠	Twist 對線
4	White	(26AWG)	白	
3	Black	(12AWG)	黑	
2	White	(12AWG)	白	
1	Green	(12AWG)	綠	
Conn.	Wire Color			
Pin Out				

UNIT:mm		
TOLERANCE	±0.5	

TITLE X-Lok D Size Cable Molding 12 Pin M Connector F Pin			
SCALE 1:1	SIZE A4	SHEET 1 OF 1	
REV. A	WC-REV. A.2	\varnothing : Inspection item	

Amphenol LTW
 安費諾亮泰企業股份有限公司

ITEM NO	DRAWN BY Spring	DATE 2016-04-25
DWG NO DCD-12AMFM-QL8FXX	CHECKED BY Fisher	DATE 2016-04-25
CUSTOMER ALTW	APPROVED BY Kevin	DATE 2016-04-25

X-ON Electronics

Largest Supplier of Electrical and Electronic Components

Click to view similar products for [Sensor Cables / Actuator Cables](#) category:

Click to view products by [Amphenol](#) manufacturer:

Other Similar products are found below :

[60963](#) [60964](#) [M83513/19-F01CP](#) [703000D02F2002](#) [703001D02F0602](#) [703001D02F300](#) [704000D02F120](#) [773032K02F030](#) [802027107404-1](#)
[802027213811-1](#) [804001A09M150](#) [805001A09M0502](#) [84914-0235](#) [84914-0237](#) [885030A09M020](#) [8R4J30E03C3003](#) [1200651332](#)
[1200651713](#) [1200660844](#) [1200660845](#) [1200661173](#) [1200680071](#) [1200720053](#) [1200720081](#) [1200720099](#) [1200720217](#) [1200800231](#)
[1200860125](#) [1200870123](#) [1200980102](#) [1200650267](#) [1200650298](#) [1200660183](#) [1200660782](#) [1200660849](#) [1200661295](#) [1200661297](#)
[1200661342](#) [1200661343](#) [1200670080](#) [1200670220](#) [1200680331](#) [1200720252](#) [1200730184](#) [1200860344](#) [1200870359](#) [1200870643](#)
[1200980008](#) [1200980031](#) [1210502211](#)