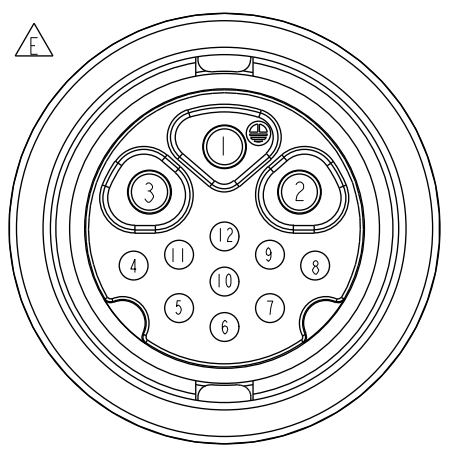
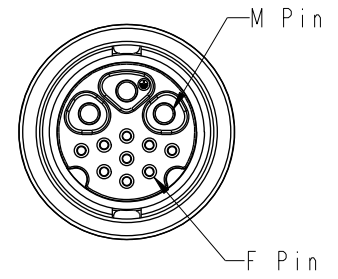
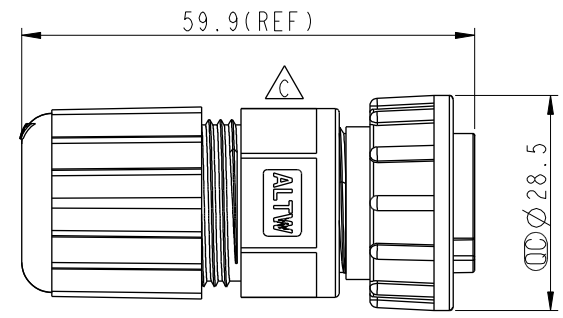
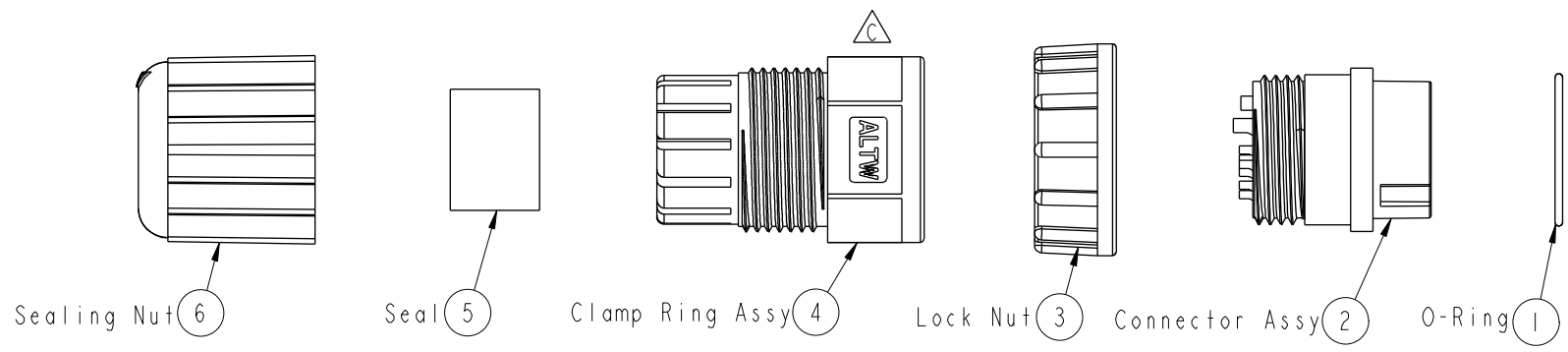


THIS DOCUMENT IS SUBJECT TO CHANGE WITHOUT NOTICE. IT IS CONFIDENTIAL AND A PROPERTY OF Amphenol LTW. DISCLOSURE TO THIRD PARTY HAS TO BE AUTHORIZED BY Amphenol LTW.

REV.	ECN NO.	DATE	SIGN	DESCRIPTION
C	LEN15B0041	2015/10/27	Ruru	Change Logo
D	LEN1680287	2016/08/08	Mafei	Updated The Note O-Ring Color
E	LEN1860123	2018/06/07	Jane	Updated Pin Number



ALTW
CONFIDENTIAL
 2018-06-07
R&D DEPT.

- Note:
- * ⌀ Important Dimension To Check.
 - * Waterproof Rate: IP67
 - * Connector: Nylon+GF, Black
 - * Pin: Copper Alloy, Gold Plated
 - \triangle * O-Ring: EPDM, Black
 - * Lock Nut: Nylon+GF, Black
 - * Clamp Ring: Nylon, Black
 - * Seal: EPDM, Black
 - * Sealing Nut: Nylon, Black
 - \triangle * Cable OD Max : $\text{⌀}10.0\sim\text{⌀}12.4\text{mm}$

UNIT: mm		
TOLERANCE		
.X	±0.25	
.XX	±0.1	
.XXX	±0.05	
ANGLES	±1°	

TITLE Large Assy Connector FConn 3MPin(20A)+9FPin(5A)			
SCALE	SIZE	SHEET	OF
1:1	A4	1	1
REV.	WC-REV.	⌀ : Inspection item	
E	B.4		

Amphenol LTW
安費諾亮泰企業股份有限公司

ITEM NO. DCD-12BFEA-LL7001	DRAWN BY Jane	DATE 2018/06/07
DWG NO. DCD-12BFEA-LL7001	CHECKED BY Neo	DATE 2018/06/07
CUSTOMER ALTW	APPROVED BY Max	DATE 2018/06/07

X-ON Electronics

Largest Supplier of Electrical and Electronic Components

Click to view similar products for [Standard Circular Connector](#) category:

Click to view products by [Amphenol](#) manufacturer:

Other Similar products are found below :

[5M2530B10P](#) [600259N006](#) [600273N007](#) [6134-336-13149](#) [6134-337-11149](#) [6134-337-2390](#) [6134-341-17149](#) [6280-4SG-516](#) [6280-7SG-3DC](#)
[6290](#) [6291A](#) [66200A-10](#) [680-SMG](#) [681-PMG](#) [CXS3102A14S2P](#) [CXS3102A181S](#) [7251-6SG-300](#) [7271-6SG-300](#) [7282-3PG-300-CH3](#) [75-](#)
[474014-05S](#) [75-474618-01S](#) [75-474618-04P](#) [75-474618-04S](#) [799539-000](#) [MI8-SE](#) [805-005-07NF11-19PC](#) [805-005-07NF15-7PA](#) [8280-4PG-](#)
[516](#) [8280-7PG-519](#) [8282-5PG-519](#) [836783-1](#) [MP-4102-25P-C](#) [862256-1](#) [864019-2](#) [866857-1](#) [867865-1](#) [PT01SP-14-18P](#) [PT08P-14-5S](#)
[PTSF06SE-14-12S](#) [120-1833-000](#) [QCM019PC2DC012B](#) [1-2069279-1](#) [121583-0217](#) [121667-0020](#) [129591AU](#) [1000B BULK](#) [RD10A16-19-](#)
[P6CS051/1](#) [RD10A20-31-P8CS051/1](#) [RD16A14-12-S6CS051/2](#) [1301240290](#) [1301240347](#)