

REFERENCE SPECIFICATIONS

-NFC 93425 (in compliance with HE 507)

PHYSICAL CHARACTERISTICS

-INSULATOR MATERIAL: THERMOPLASTIC UL94V0

-CONTACT MATERIAL: PHOSPHOR BRONZE

-ACCESSORIES: BRASS

-SHELLS: STEEL

ELECTRICAL CHARACTERISTICS

-NOMINAL CURRENT: 7.5A

-CONTACT RESISTANCE: <= 7.3 m ohms

-CONTACT/CONTACT : >=1000 V

-CONTACT/GROUND : >=1200 V

-INSULATION RESISTANCE: >=5000 MOhms

ENVIRONMENTAL CHARACTERISTICS

- CLIMATIC CATEGORY: 55/125/21

TEMPERATURE RANGE -55°C TO +125°C

DAMP HEAT STEADY STATE 21 DAYS

SALT SPRAY 24 HOURS

MECHANICAL CHARACTERISTICS

- RETENTION AGAINST TORQUE: - Threaded insert: 0.7 N.m Maximum

- Female screw : 0.5 N.m Maximum

NOTE RoHS INFORMATION

- The "LF" products meet european union Directives and other country regulations as described in GS-47-0004.

- Termination plating spec:

Ni + Gold/GxT

- Active area plating spec:

Ni + Gold/GxT

- Shell plating : 2 to 4µm Cu + Nickel + 3 to 10µmm Sn, pure bright

- Accessories: Sn pure bright + nickel

- Packaging spec: See GS-14-920

DBL13W3S043A00LF

Series

Shell size: **E A B C D**
see sheet 2

Front accessory definition
see sheet 2

- Blank** : without accessory
- L** : threaded insert M3
- O** : threaded insert UNC 4-40

Layout of contacts (see sheet 3)

Contacts

- S** : Socket

Plating

- Blank** signal solder bucket 200 matings/unmatings
- 043** signal solder bucket 500 matings/unmatings

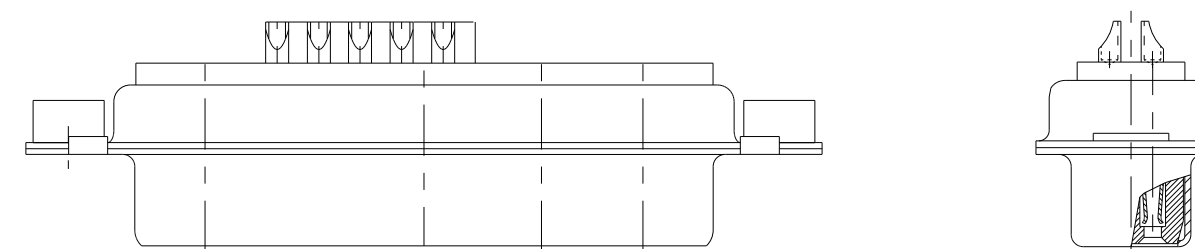
PCB accessory definition

- A** without accessory on PCB

Power contacts

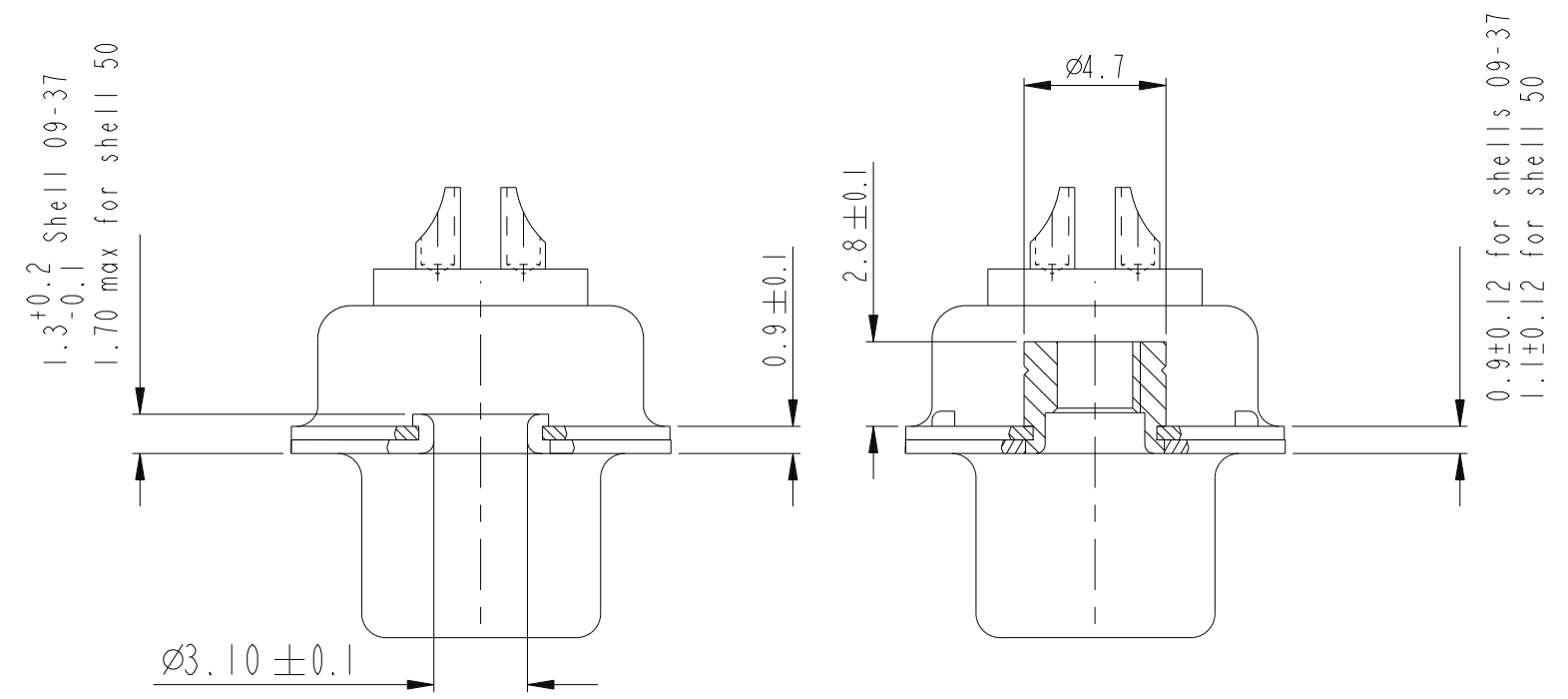
- 00** without power contact

See note RoHS



13W3 FOR EXAMPLE

spec ref	dr	1, Product Eng	2015/06/12	projection	MM	size	A2	scale	1:1
tolerance std	eng	Gregar Mathew	2019/11/11			ecn no	ELX-433002-1	rel level	Released
ISO 406 ISO 1100 ISO 1101 ISO 408	chr	-	appr						
surface	linear	0.X ±0.30.30 0.XX ±0.1 0.XXX ±0.05			title SUB FEMALE DW MIXED POWER + SOLDER BUCKET		dwg no	C01-8639-2303	
ISO 1302	angular	0° ±22°	cat. no.	-		Product - Customer Drw	sheet 1 of 7	rev	E



FRONT ACCESSORY	Blank without	L insert M3
		O insert UNC 4.40
PCB ACCESSORIES	A without	A without

PART NUMBER	MATINGS/ UNMATINGS	FRONT ACCESSORY	PCB ACCESSORIES
D*xWxSA00LF	200	without	without
D*LxWxSA00LF	200	insert M3	without
D*OxWxSA00LF	200	insert UNC 4.40	without
D*xWxS043A00LF	500	without	without
D*LxWxS043A00LF	500	insert M3	without
D*OxWxS043A00LF	500	insert UNC 4.40	without

shell size	LAYOUTS
*	xWx
E	5W1
A	11W1
A	7W2
B	21W1
B	17W2
B	13W3
B	9W4
C	25W3
C	21WA4
C	27W2
D	47W1
D	24W7
D	36W4

Amphenol
FCi

© 2016 AFci

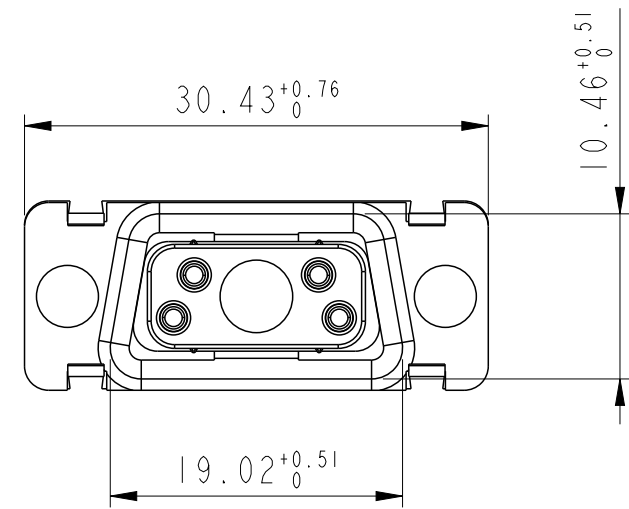
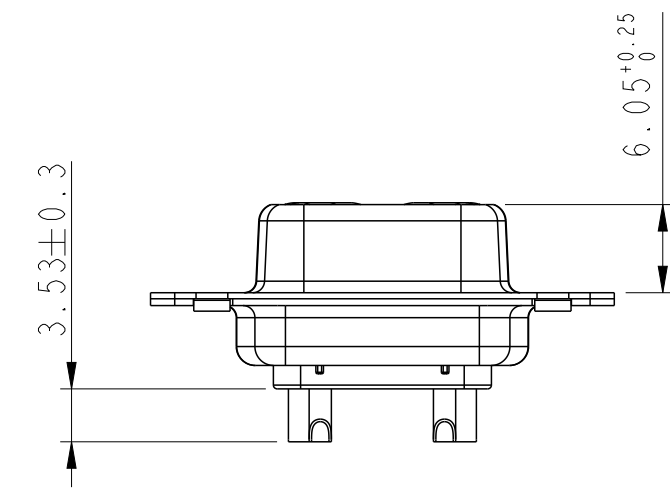
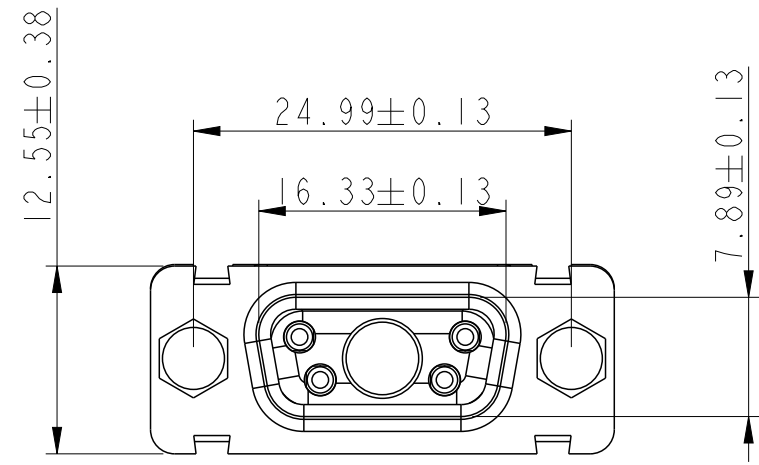
spec ref	dr	1, Product Eng	2015/06/12	projection	MM	size	A2	scale	1:1				
tolerance std	eng	Gregar Mathew	2019/11/11			ecn no	ELX-33002-1	rel level	Released				
ISO 1101 ISO 406	chr	-	appr							Varma Sudhir	2019/11/12	product family	D SUB
surface	linear	0.X	±0.30			Amphenol FCI		SUB FEMALE DW MIXED POWER + SOLDER BUCKET					
ISO 1302		0.XX	±0.10							cat. no.	-	Product - Customer Drw	sheet 2 of 7
	angular	0°	±2°							rev E			

PDS: Rev :E

STATUS:Released

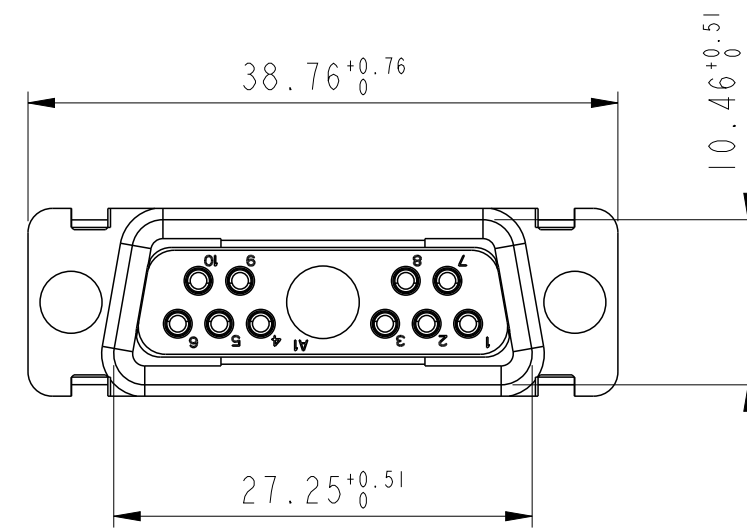
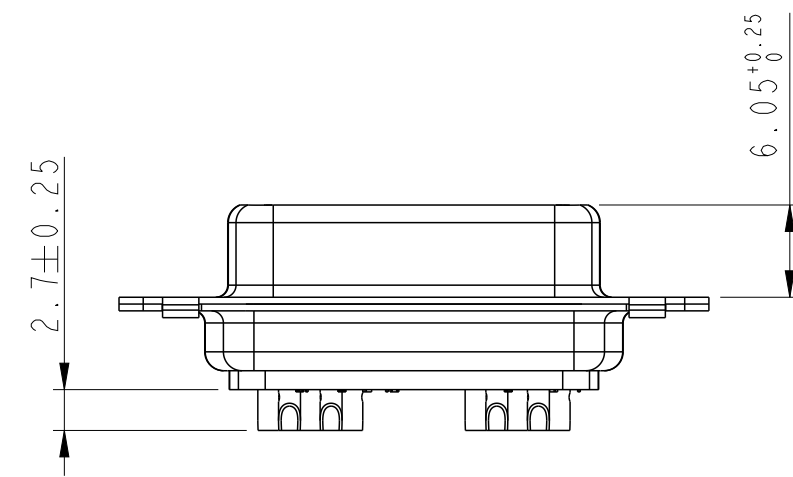
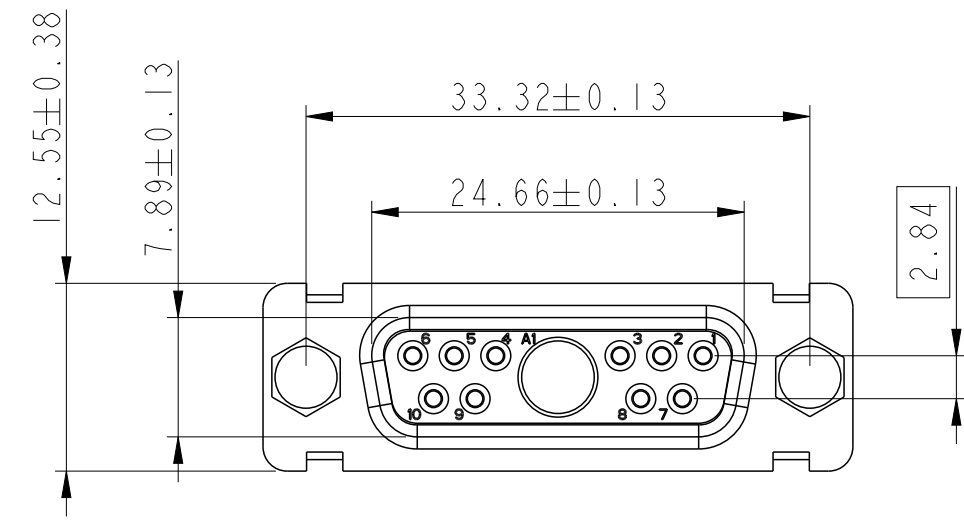
Printed: Nov 12, 2019

5W1

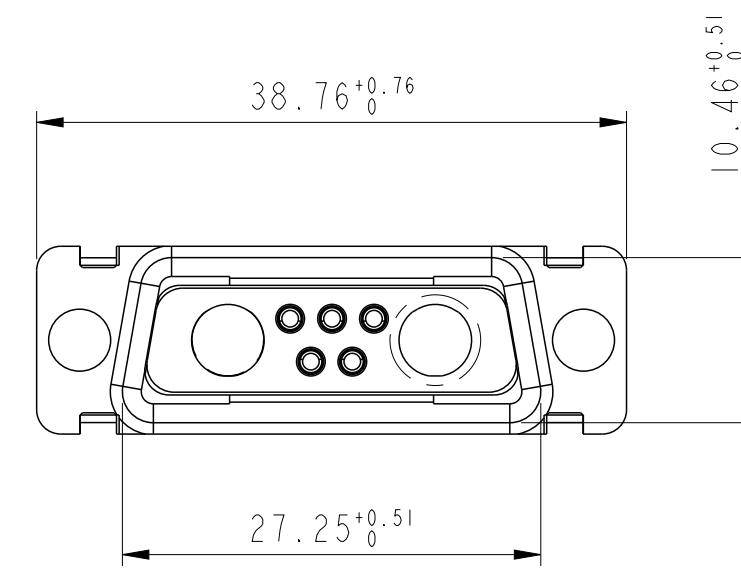
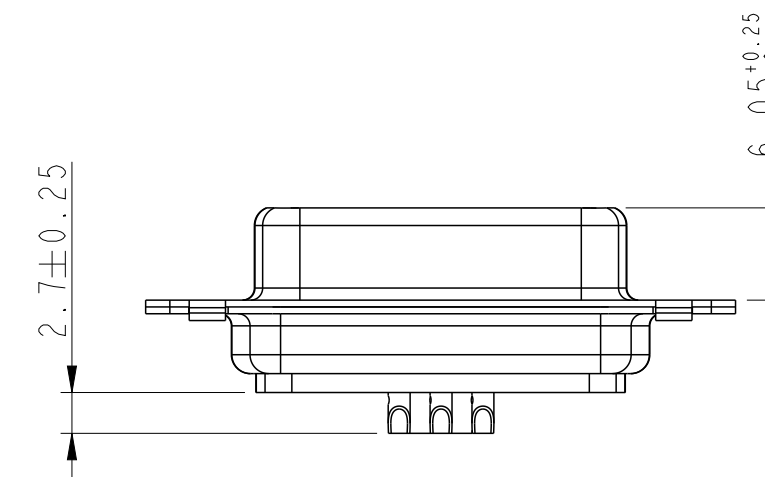
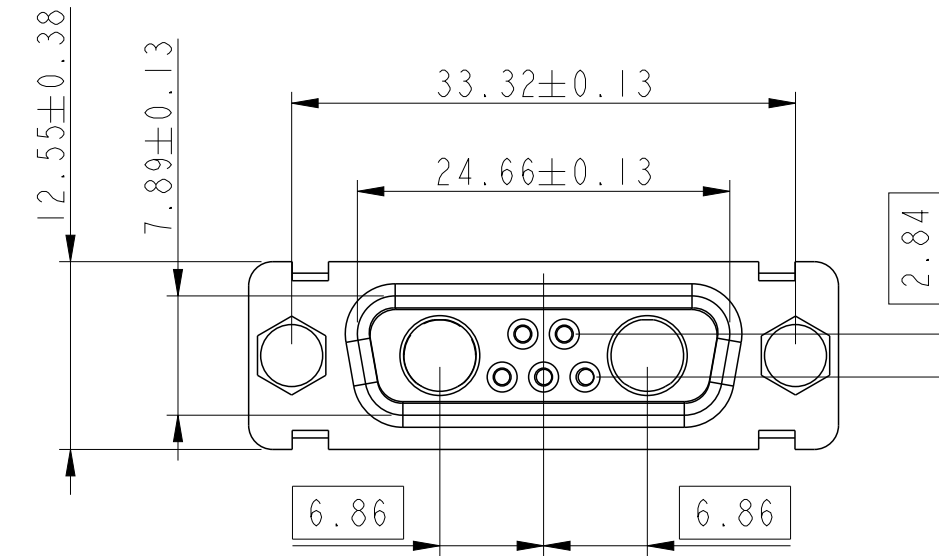


Floating signal contacts

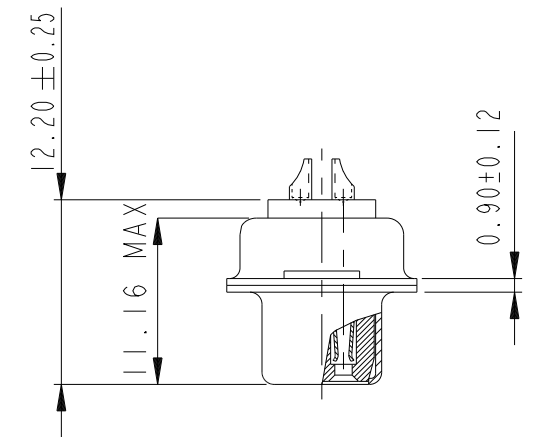
11W1



7W2



SIDE VIEW FOR LAYOUTS: E A B C



Amphenol FCI

© 2016 AFCI

spec ref	dr	1, Product Eng	2015/06/12	projection	MM	size	A2	scale	2:1	
tolerance std	eng	Gregar Mathew	2019/11/11			ecn no	ELX-33002-1	rel level	Released	
ISO 1101 ISO 406	chr	-	app							Varma Sudhir
surface	linear	0.X	±0.30	Amphenol FCI	SUB FEMALE DW MIXED POWER + SOLDER BUCKET	dwg no C01-8639-2303	rev E	Product - Customer Drw		
ISO 1302		0.XX	±0.10					cat. no.	-	sheet 3 of 7
	angular	0°	±2°							

PDS: Rev :E

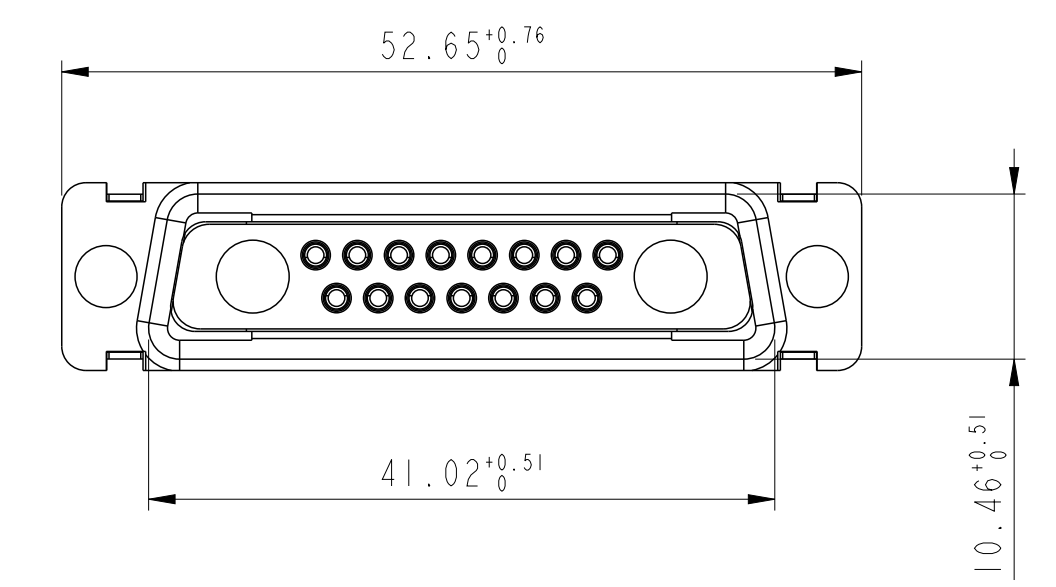
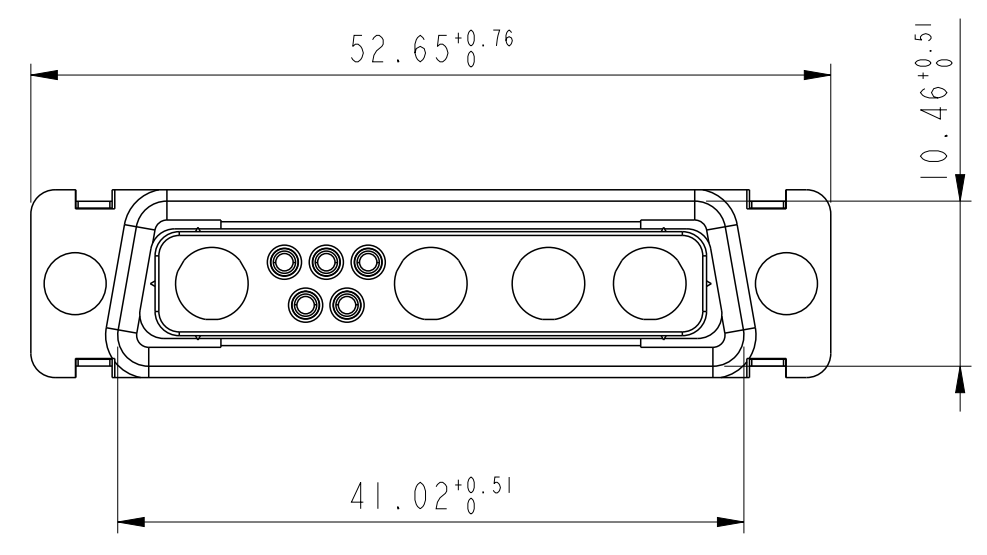
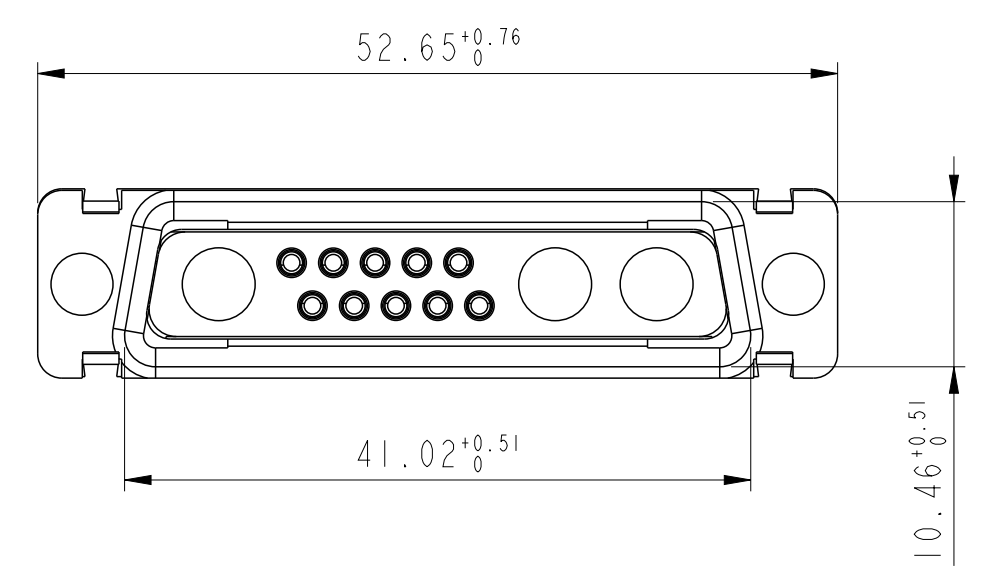
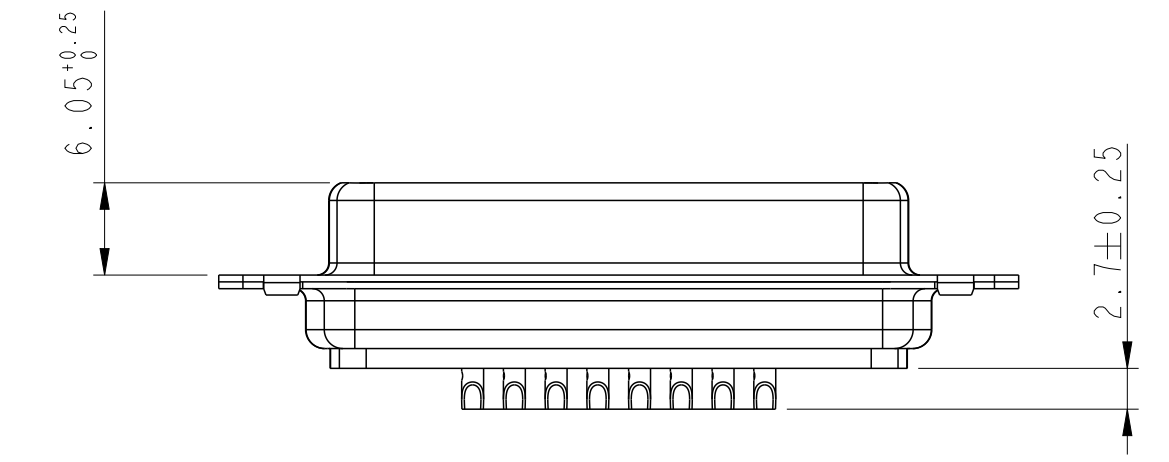
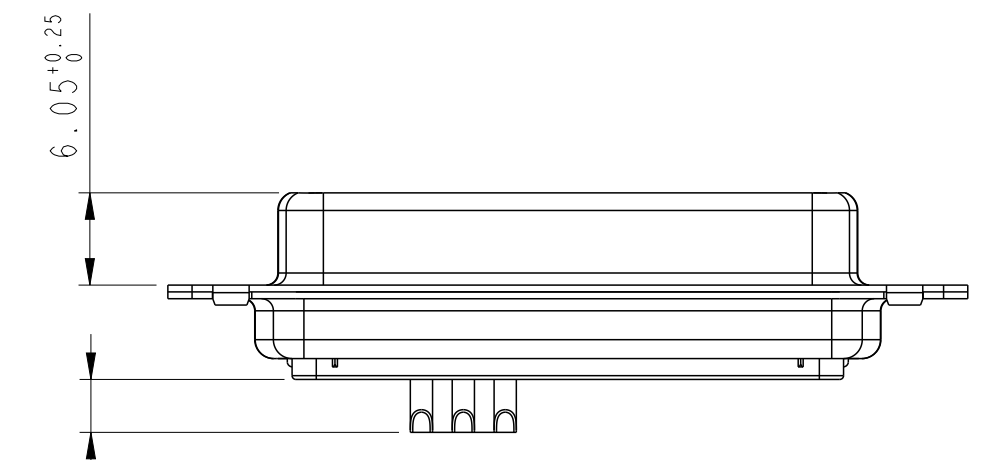
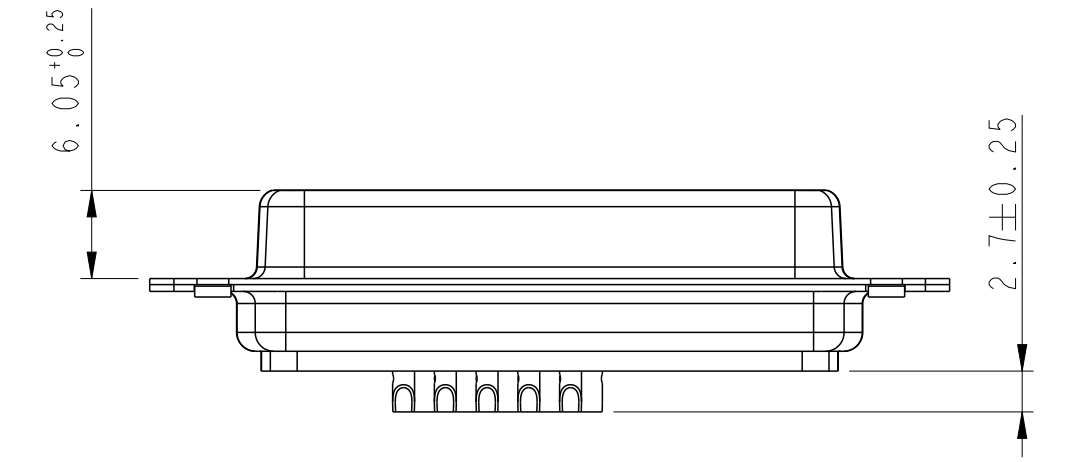
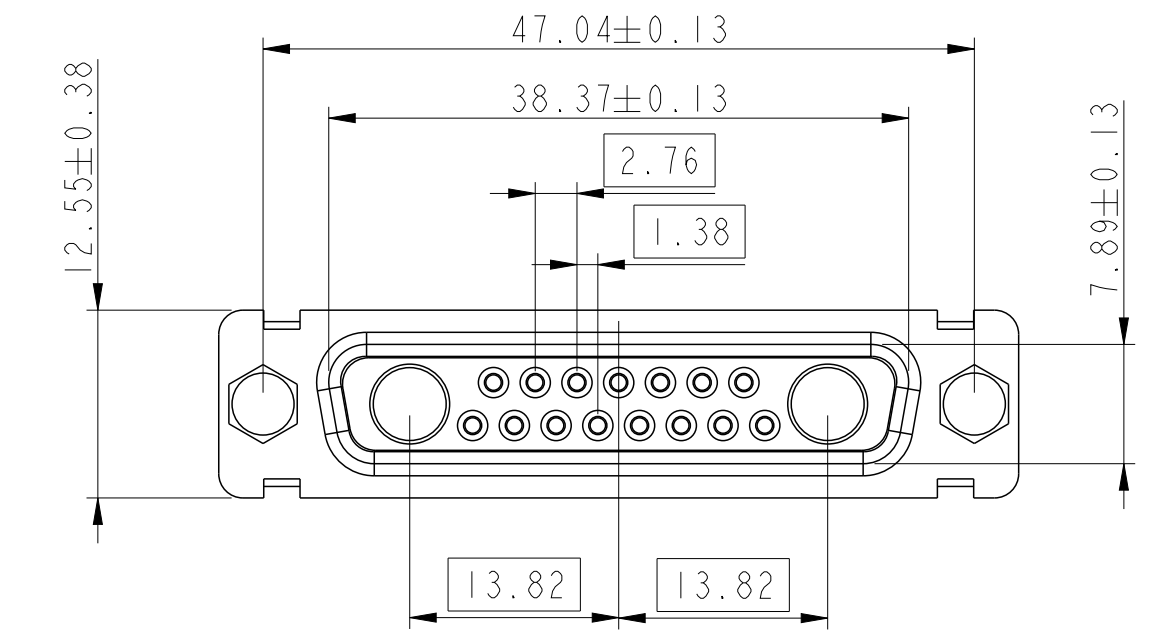
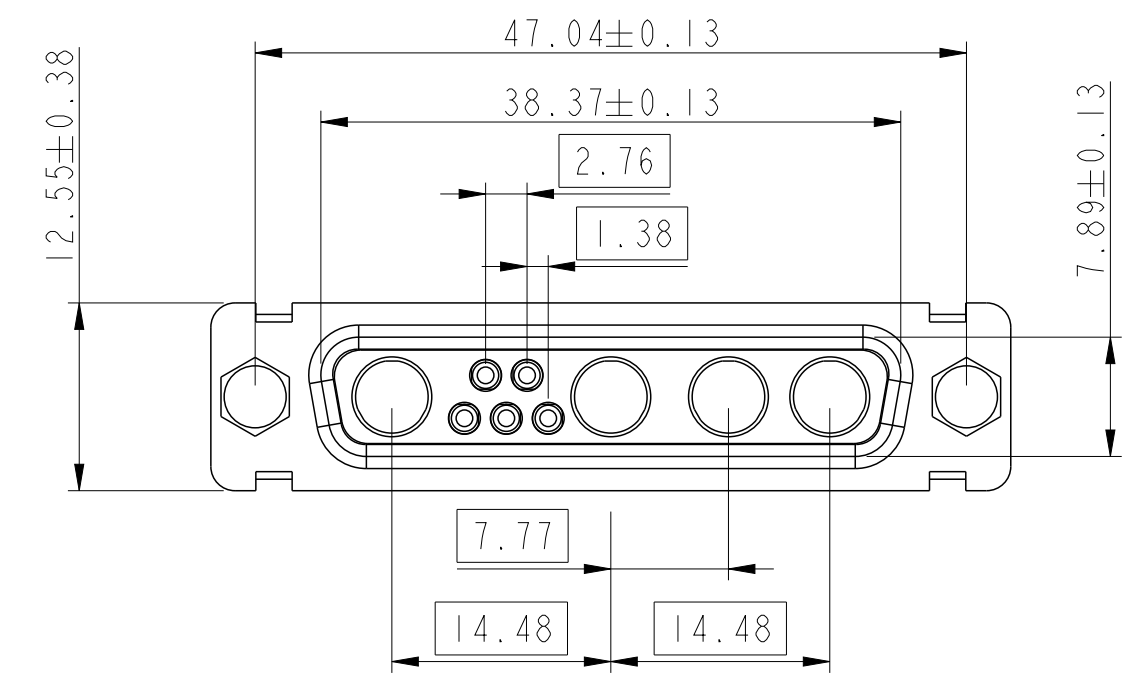
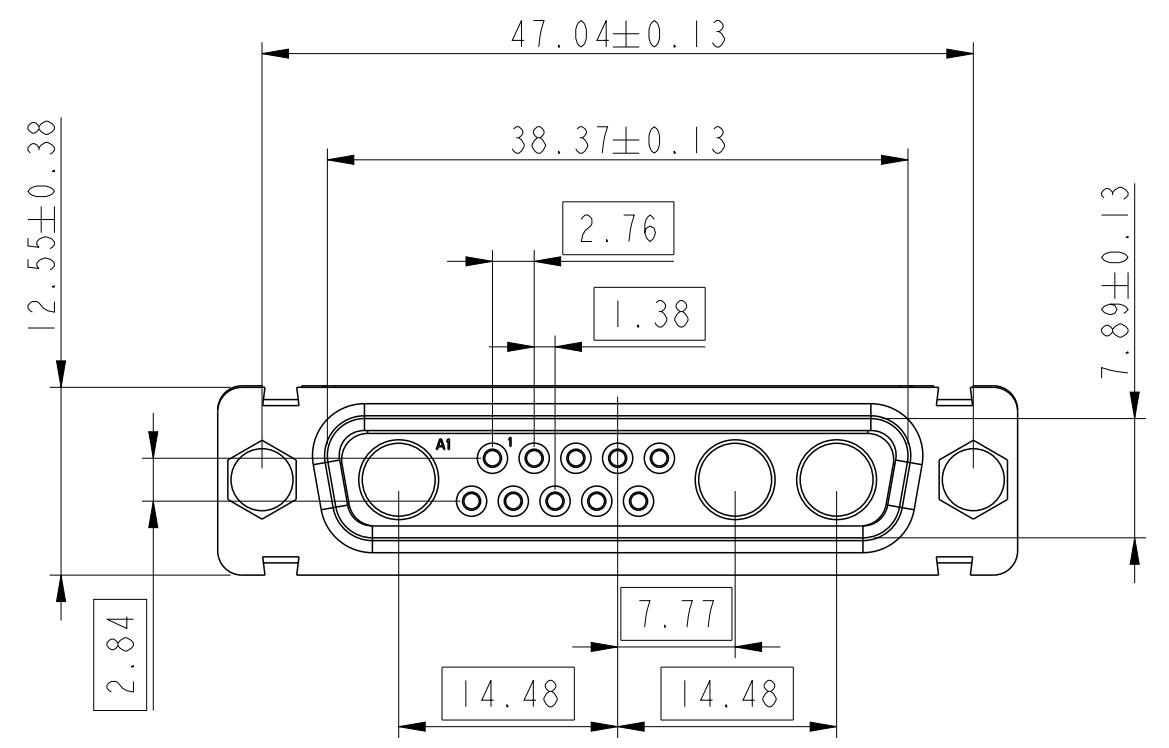
STATUS:Released

Printed: Nov 12, 2019

13W3

9W4

17W2



Floating signal contacts

Amphenol FCI

© 2016 AFCI

spec ref	dr	1, Product Eng	2015/06/12	projection	MM	size	A2	scale	2:1		
tolerance std	eng	Gregar Mathew	2019/11/11			ecn no	ELX-33002-1				
ISO 1101	chr	-	-								
ISO 406	appr	Varma Sudhir	2019/11/12	product family	D SUB	rel level	Released				
surface	linear			Amphenol FCI		title	SUB FEMALE DW		dwg no C01-8639-2303	rev	E
ISO 1302	angular	0°	±2°	MIXED POWER + SOLDER BUCKET		cat. no.	-	Product - Customer Drw		sheet 4 of 7	

PDS: Rev :E

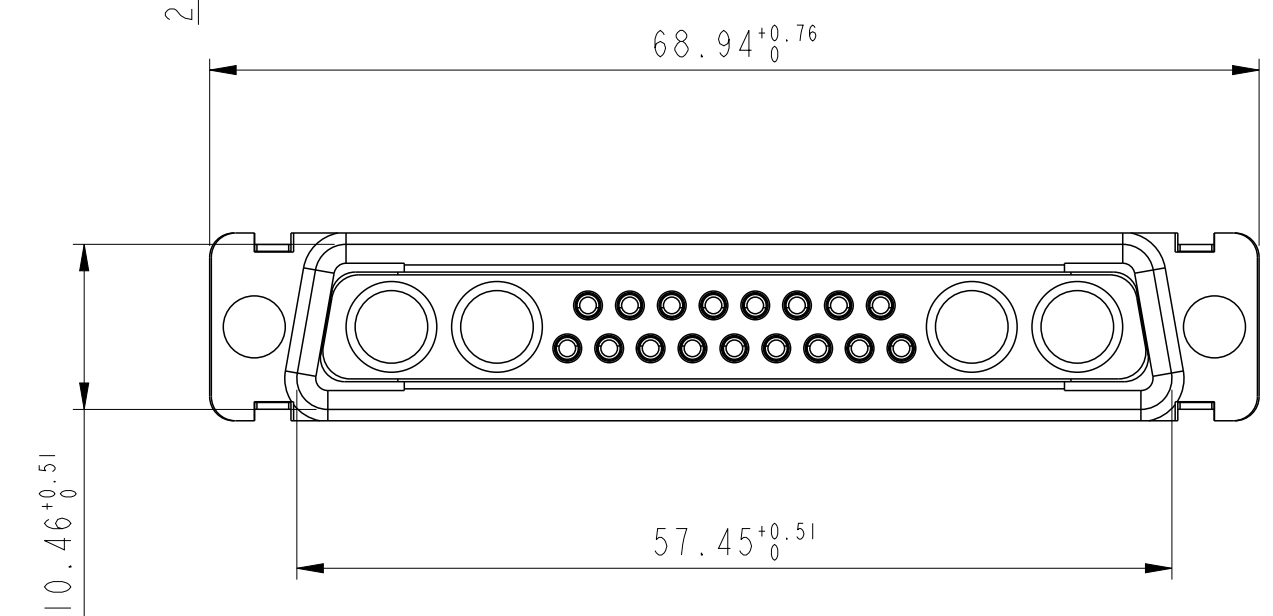
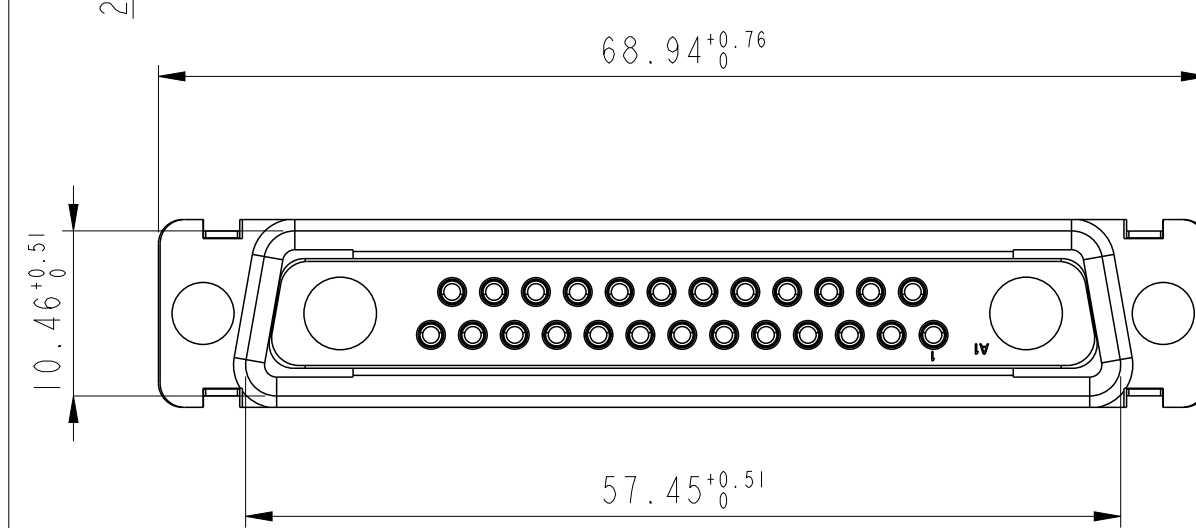
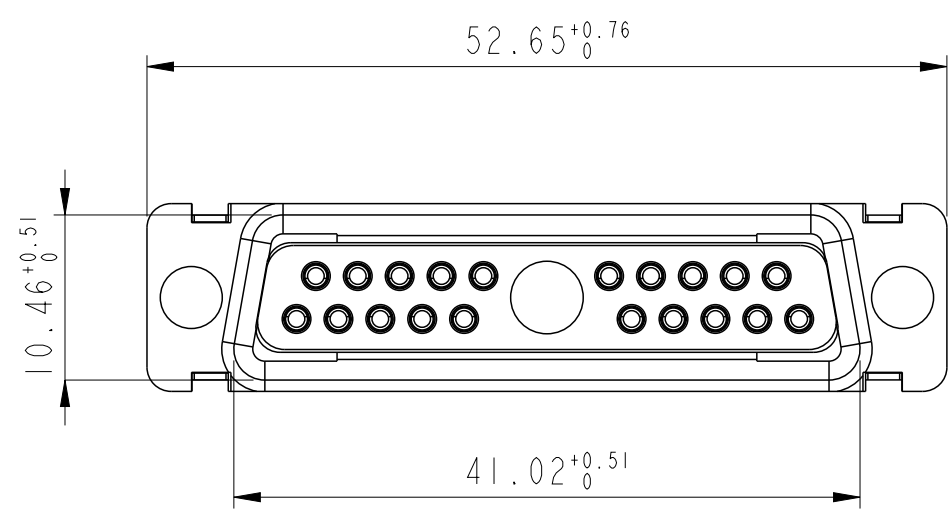
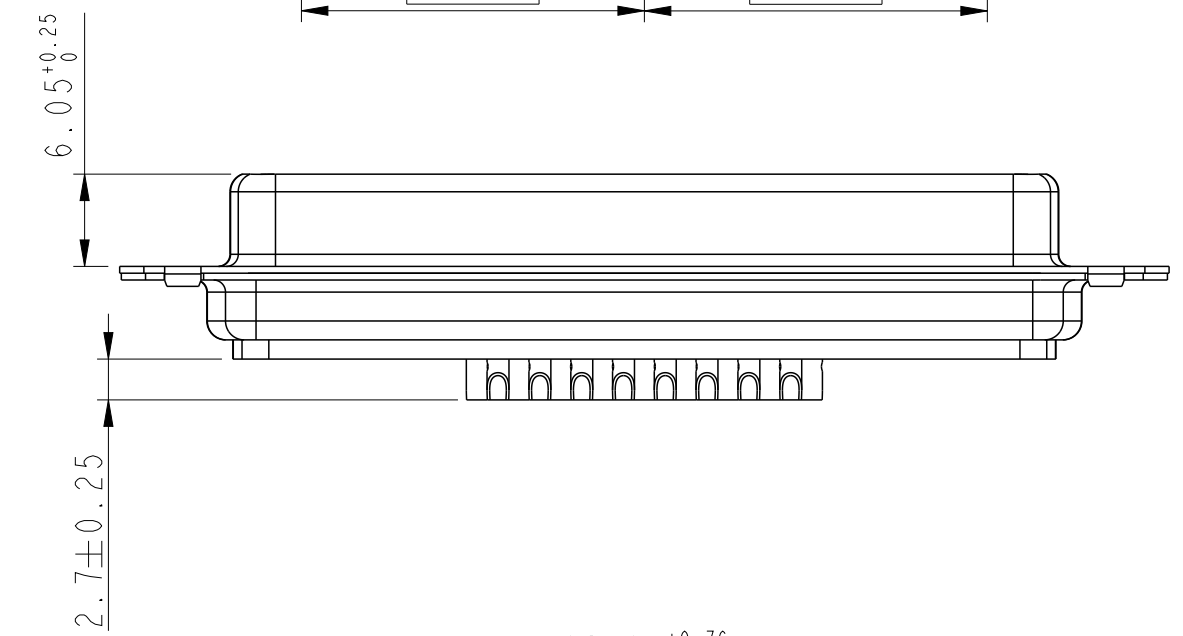
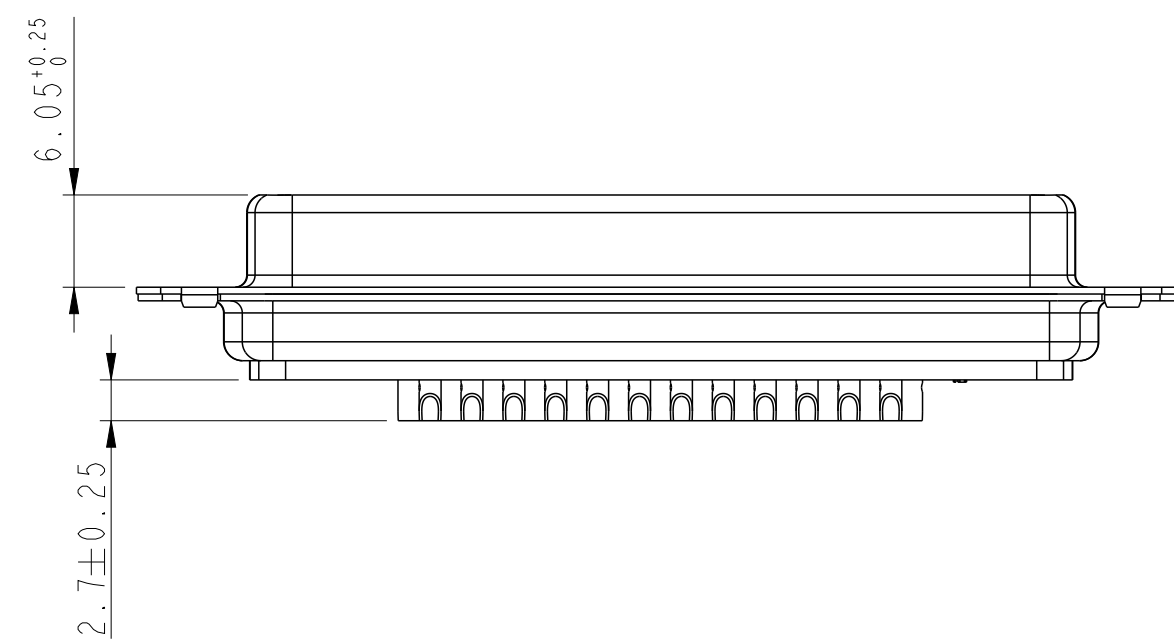
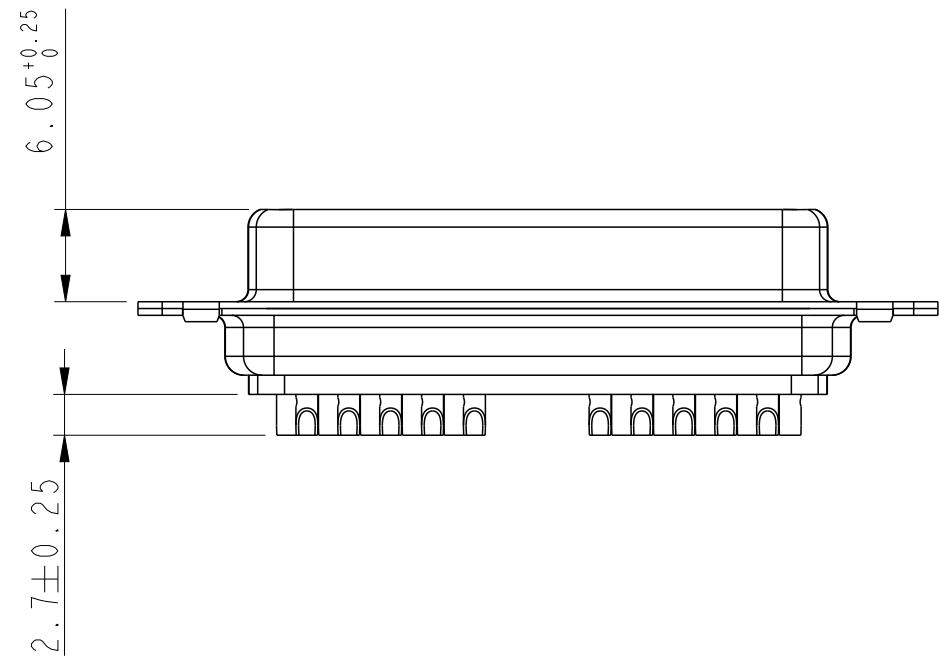
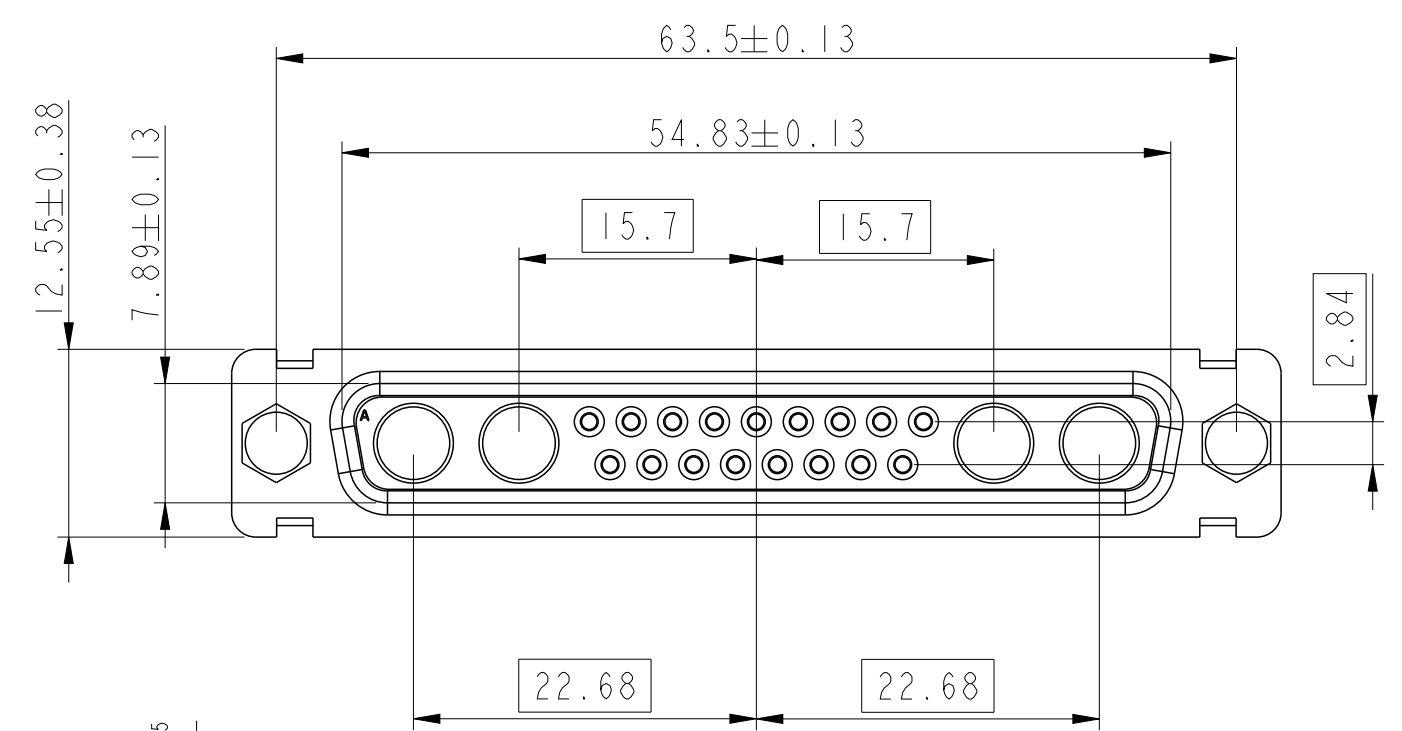
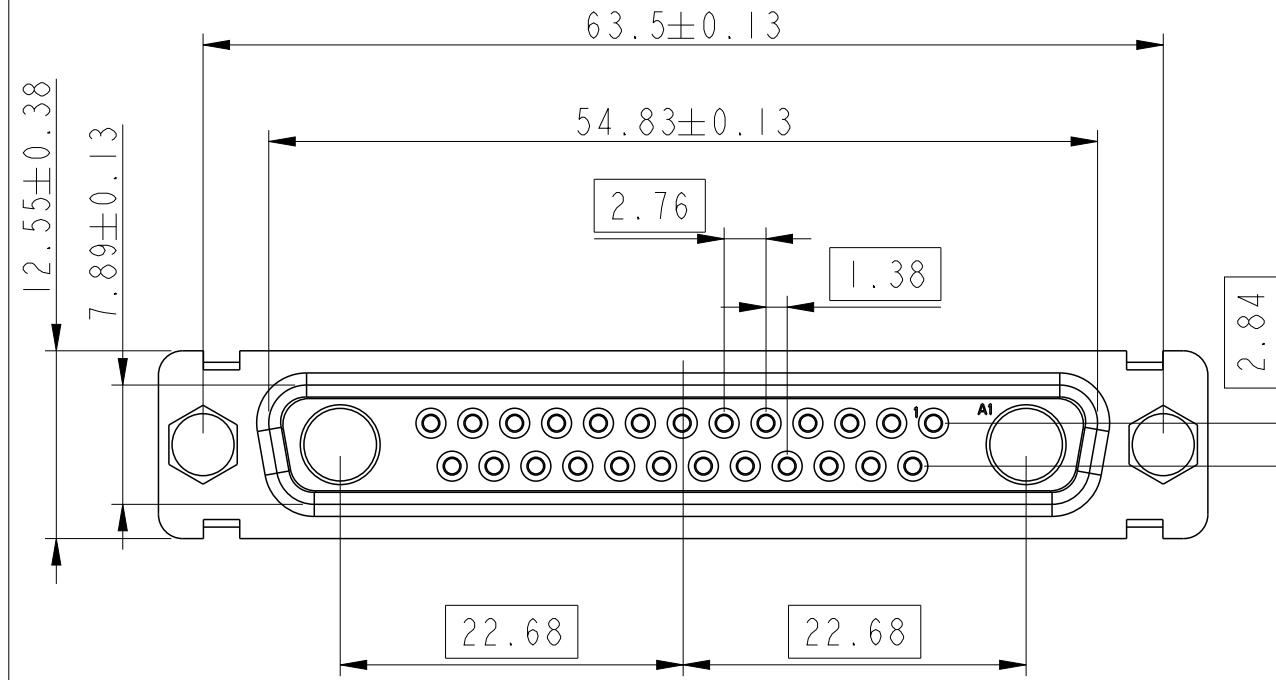
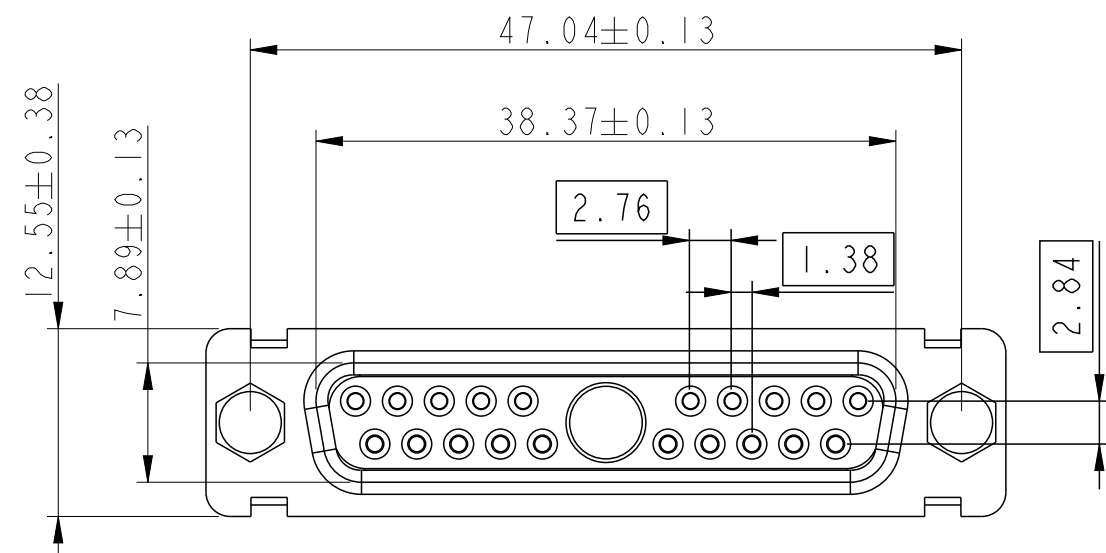
STATUS:Released

Printed: Nov 12, 2019

21W1

27W2

21WA4



Amphenol FCI

© 2016 APCI

spec ref	dr	1, Product Eng	2015/06/12	projection	MM	size	A2	scale	2:1
tolerance std	eng	Gregar Mathew	2019/11/11			ecn no	ELX-33002-1		
ISO 1101 ISO 406	chr	-	rel level				Released		
TOLERANCES UNLESS OTHERWISE SPECIFIED surface ISO 1302	appr	Varma Sudhir	2019/11/12	product family	D SUB -		rel level	Released	
	linear	0.X	±0.30	Amphenol FCI title SUB FEMALE DW MIXED POWER + SOLDER BUCKET cat. no.	dwg no C01-8639-2303	rev E	Product - Customer Drw		
	angular	0°	±2°				sheet 5 of 7		
0.XX	±0.10	0.XXX	±0.05						

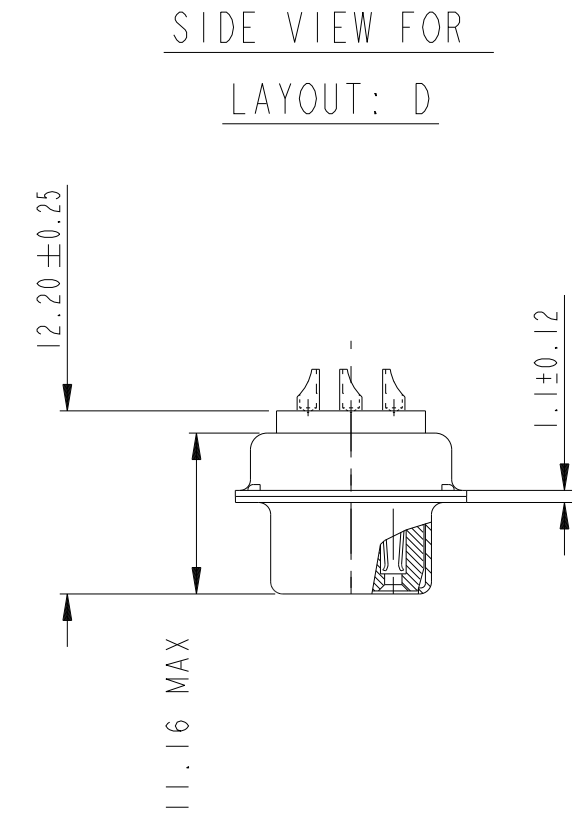
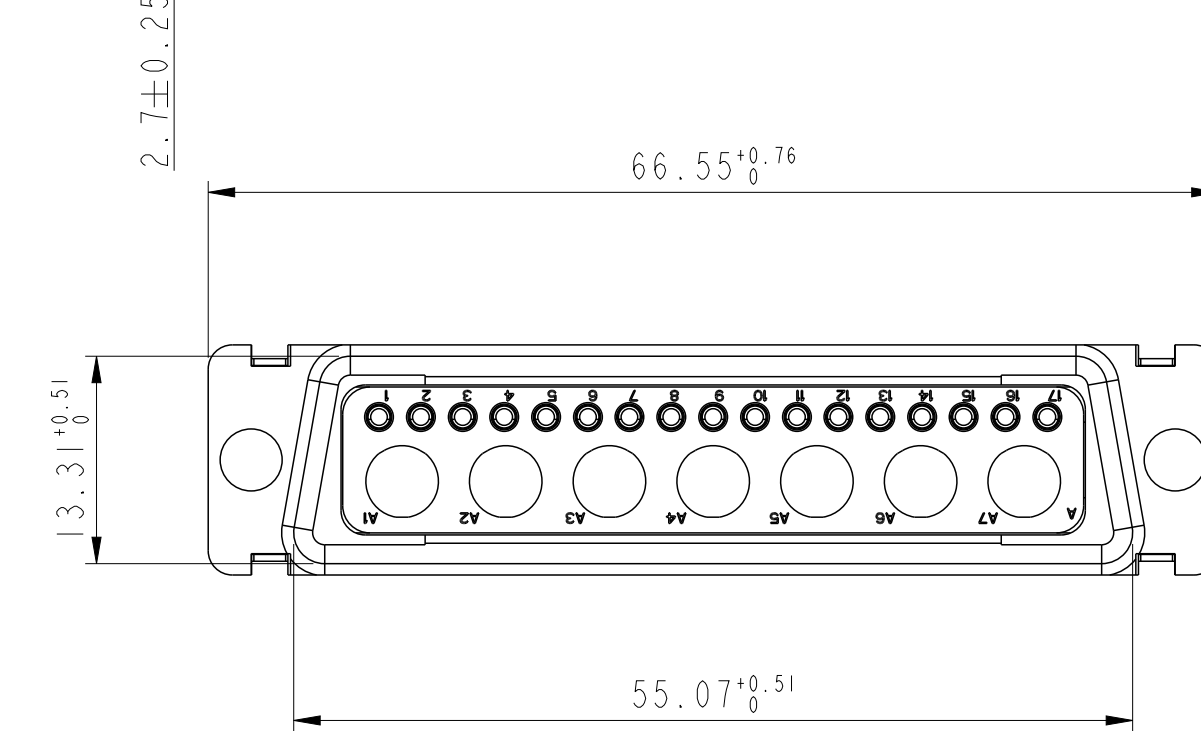
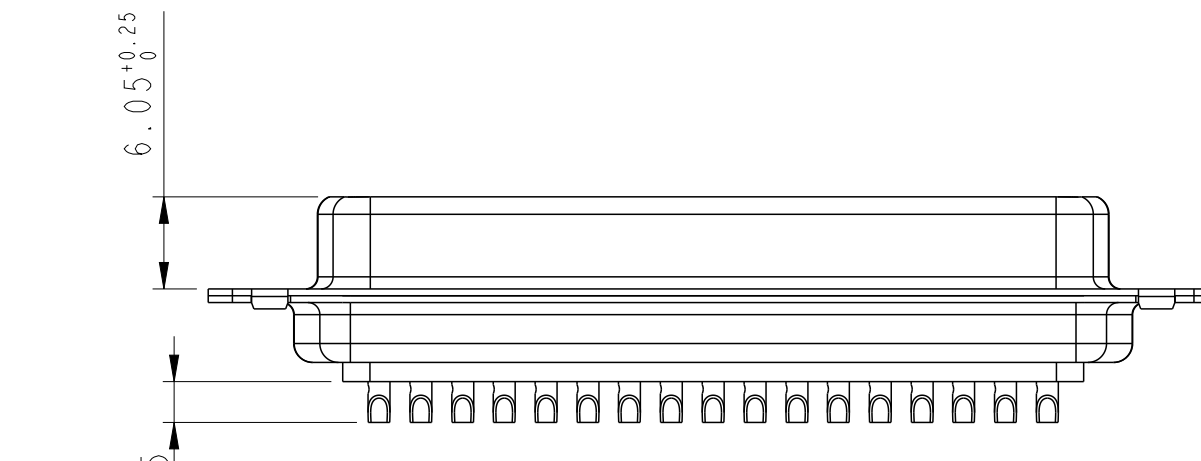
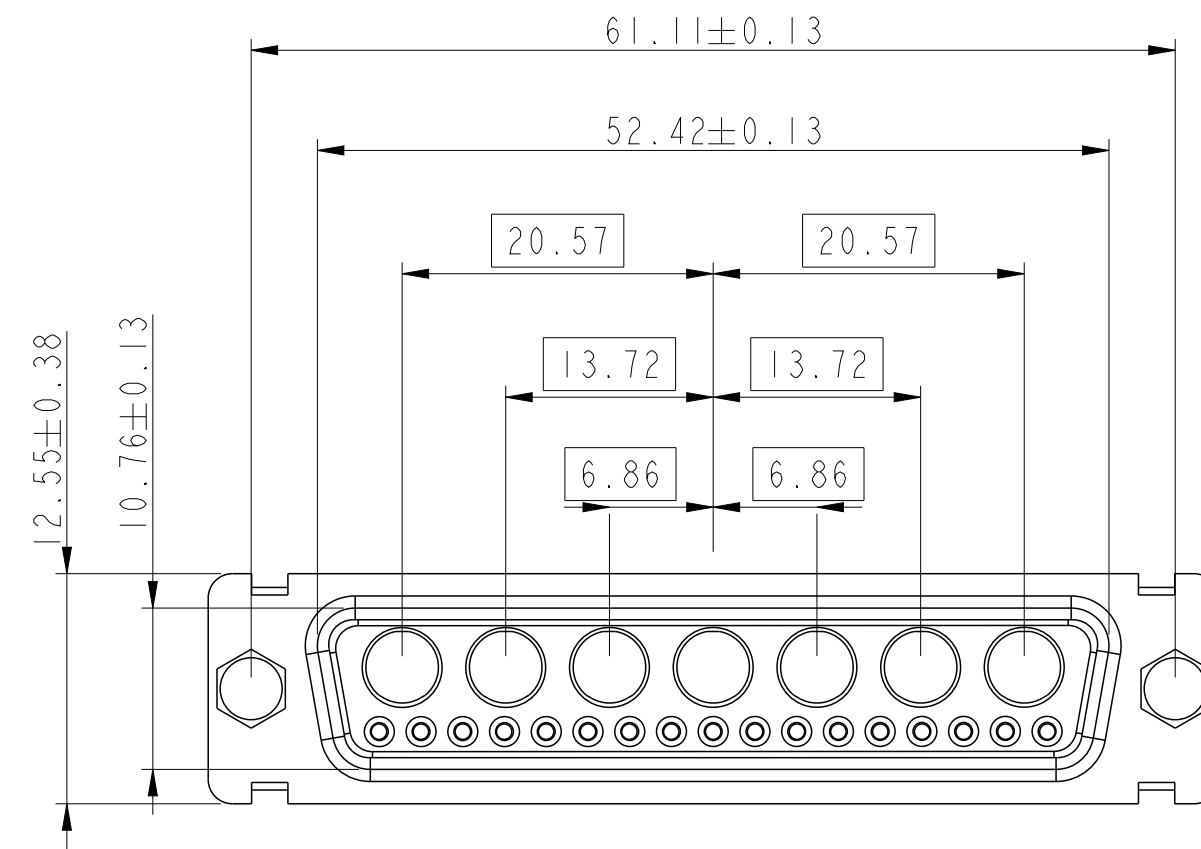
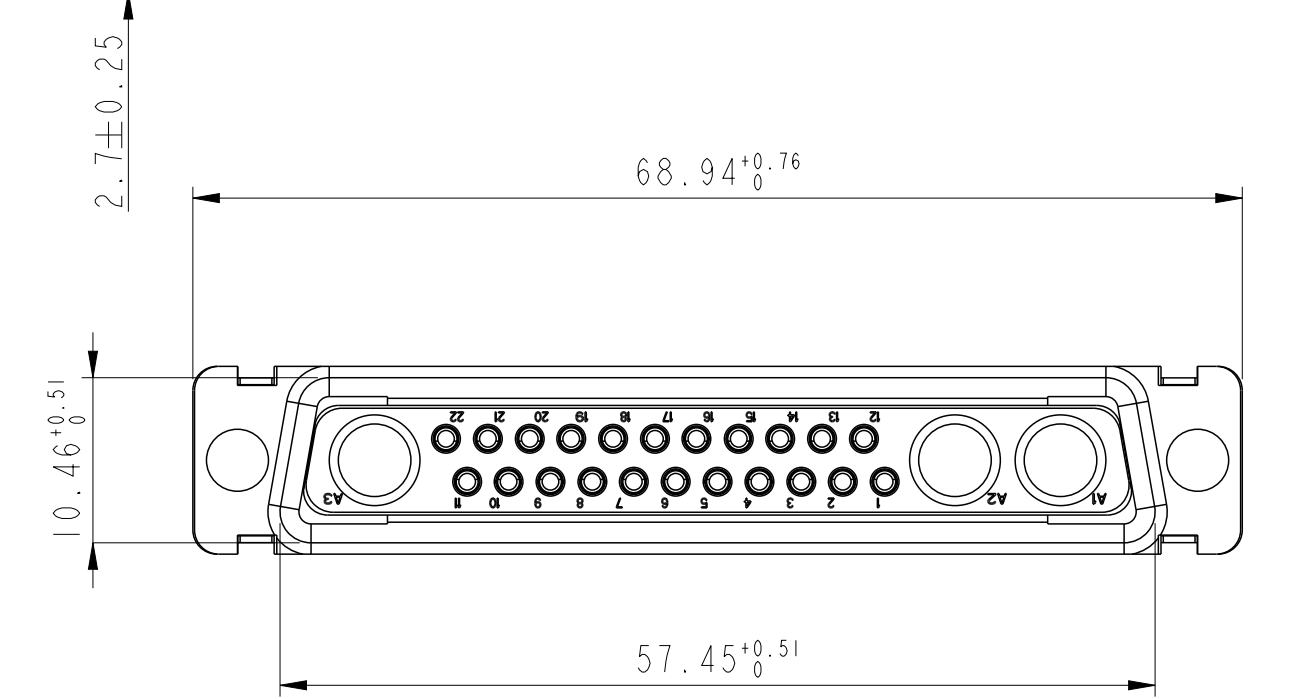
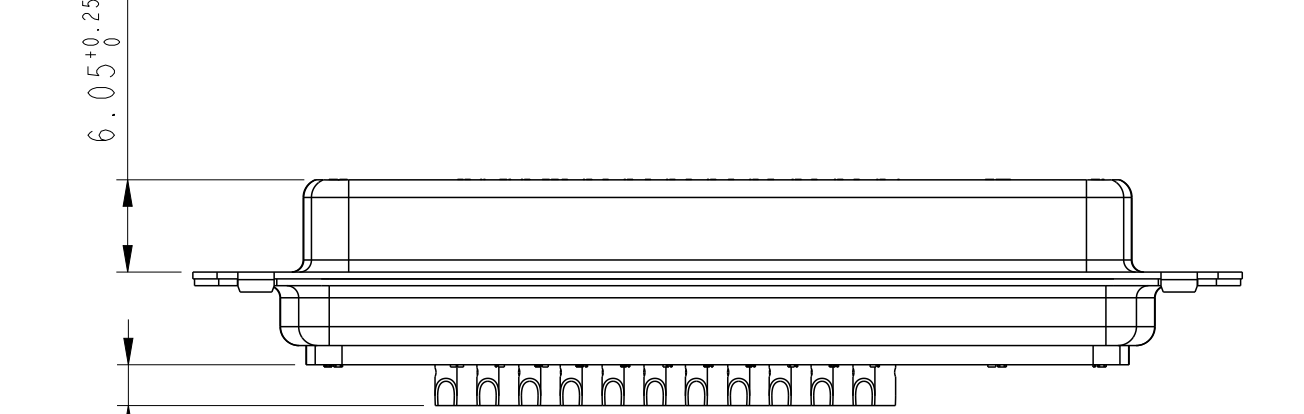
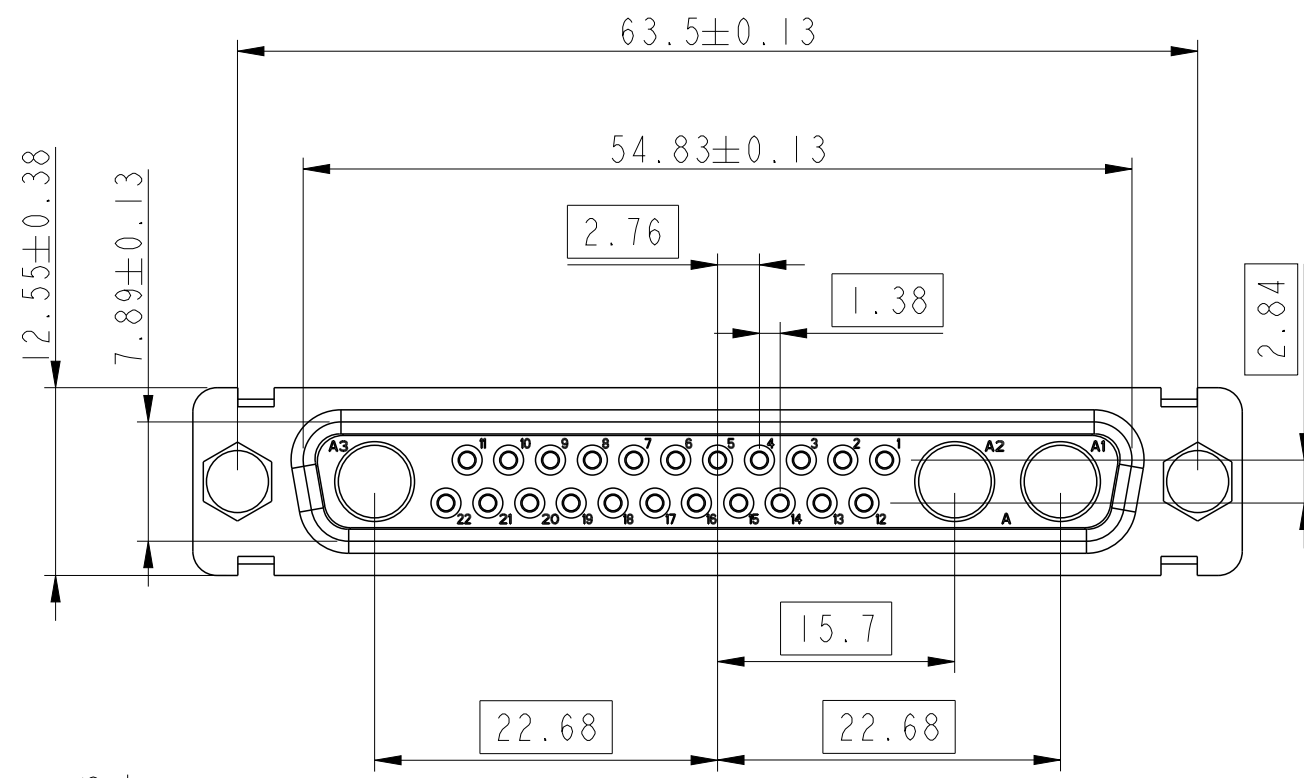
PDS: Rev :E

STATUS:Released

Printed: Nov 12, 2019

25W3

24W7



Amphenol FCI

© 2016 AFCI

spec ref	dr	1, Product Eng	2015/06/12	projection	MM	size	A2	scale	2:1	
tolerance std	eng	Gregar Mathew	2019/11/11			ecn no	ELX-33002-1	rel level	Released	
ISO 1101 ISO 406	chr	-	product family							D SUB -
TOLERANCES UNLESS OTHERWISE SPECIFIED	appr	Varma Sudhir	2019/11/12			title	SUB FEMALE DW		dwg no	C01-8639-2303
surface	linear	0.X	±0.30			MIXED POWER + SOLDER BUCKET	cat. no.	-	Product - Customer Drw	sheet 6 of 7
ISO 1302	angular	0°	±2°			rev	E			

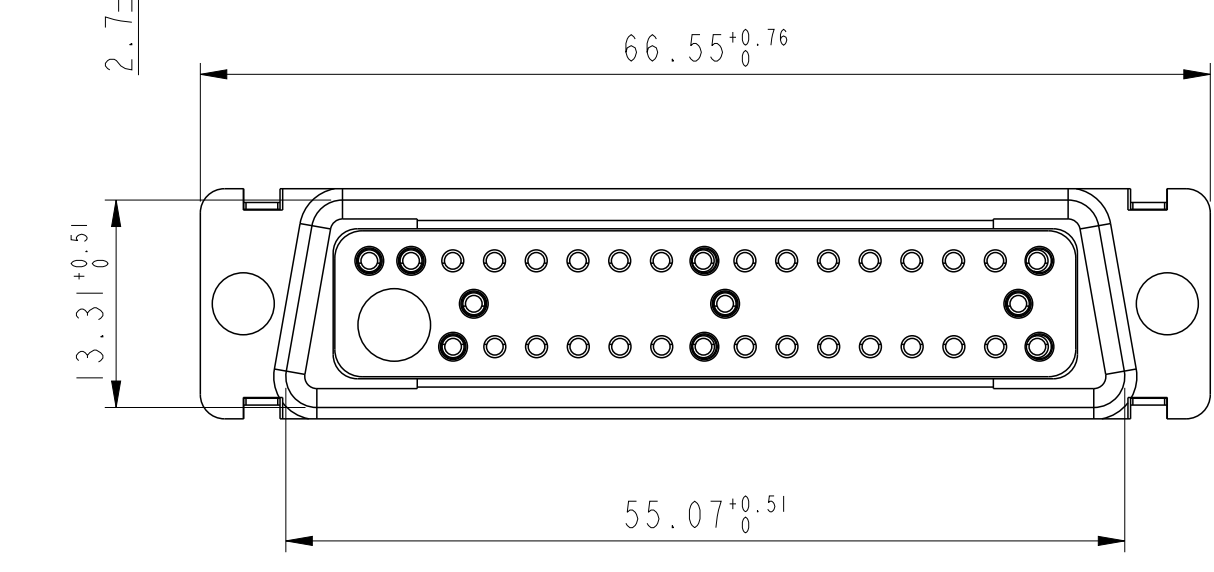
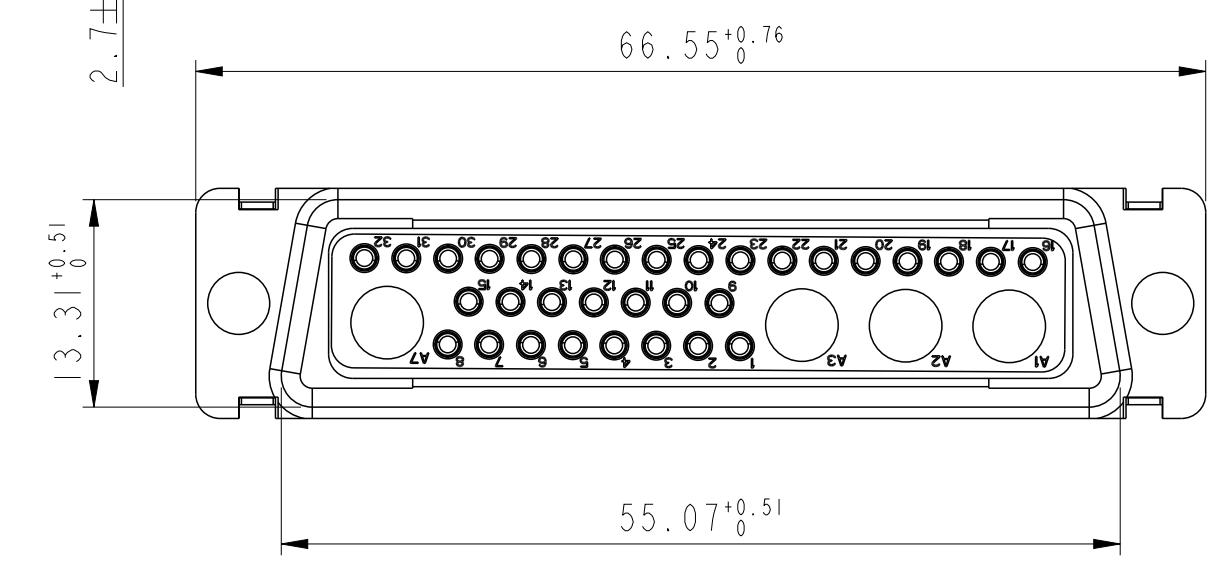
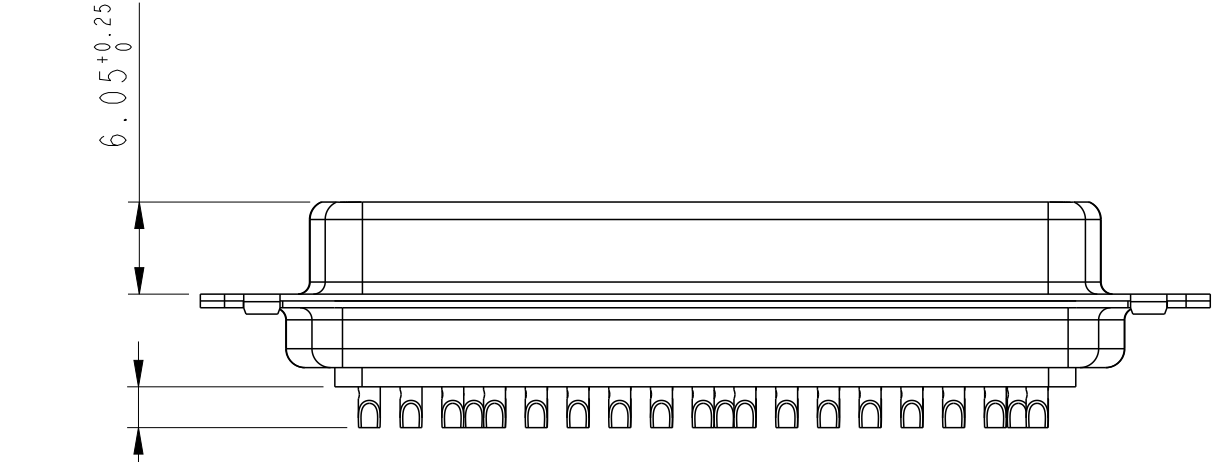
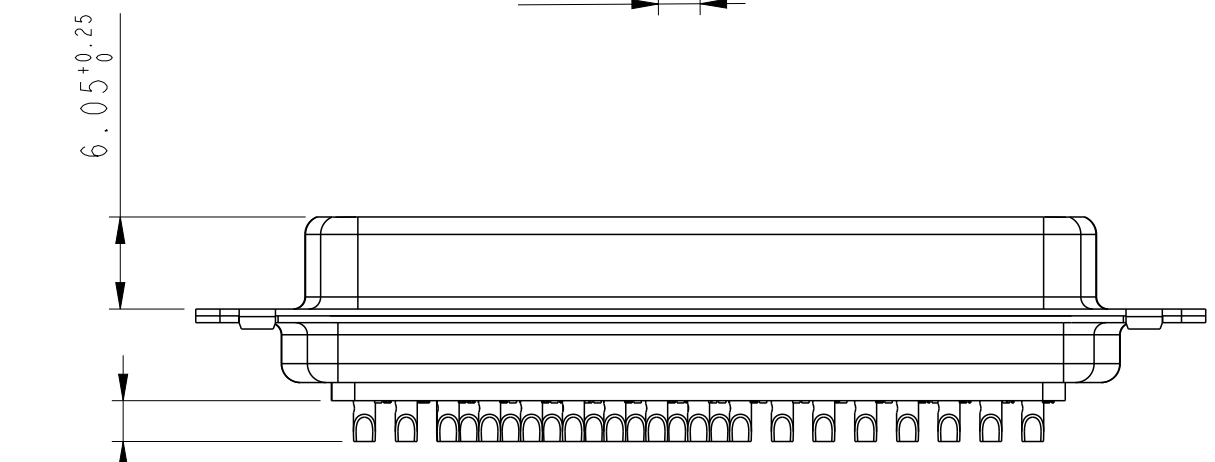
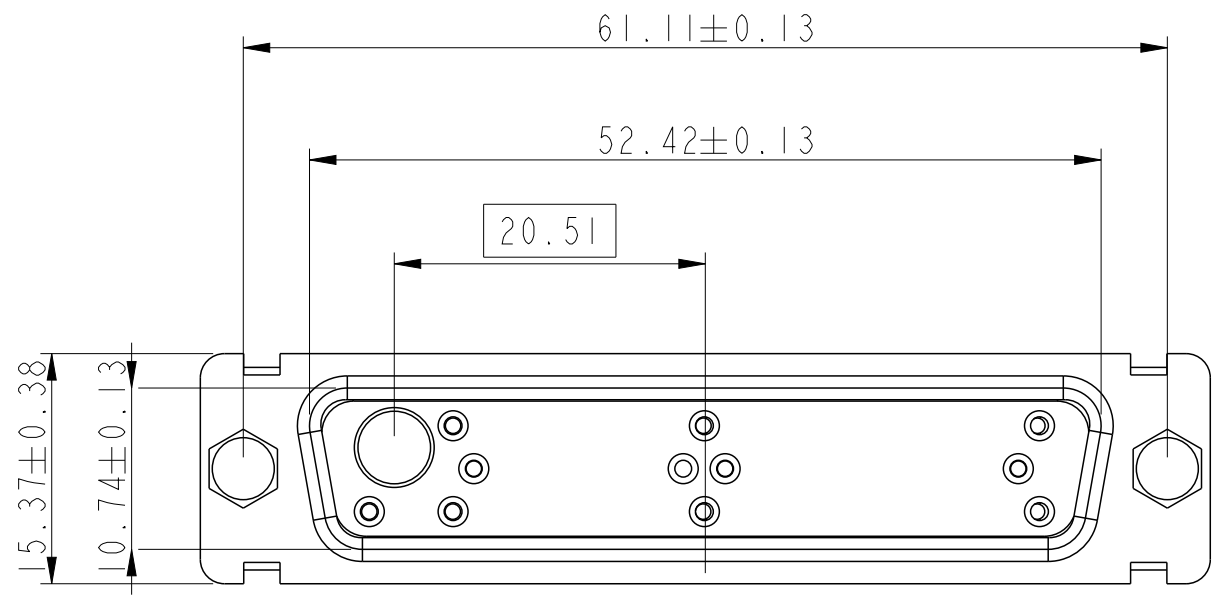
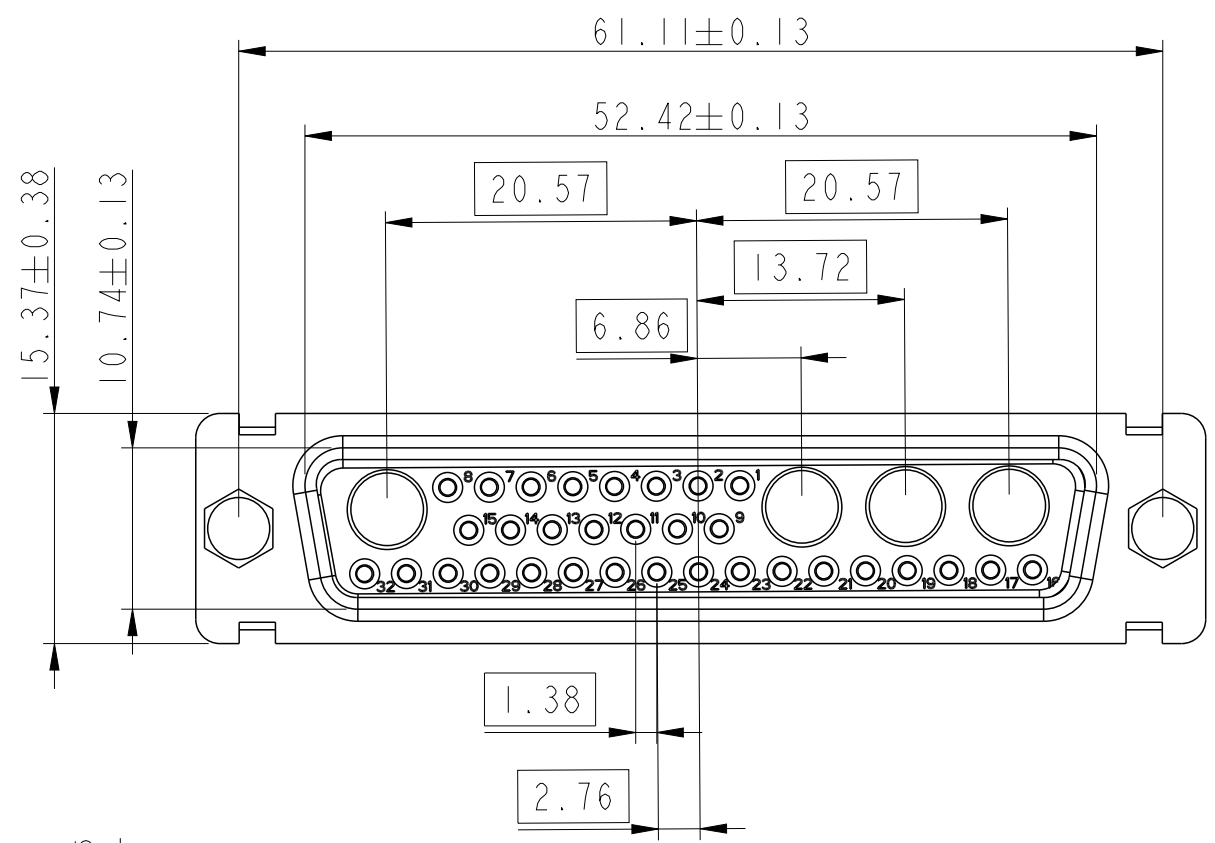
PDS: Rev :E

STATUS:Released

Printed: Nov 12, 2019

36W4

47W1



Floating signal contacts

Amphenol
FCi

© 2016 AFci

spec ref	dr	1, Product Eng	2015/06/12	projection	MM	size	A2	scale	2:1	
tolerance std	eng	Gregar Mathew	2019/11/11			ecn no	ELX-433002-1	rel level	Released	
ISO 1101 ISO 406	chr	-	appr							Varma Sudhir
surface	linear	0.X	±0.30			title	SUB FEMALE DW		rev no C01-8639-2303	rev E
ISO 1302	angular	0°	±2°	MIXED POWER + SOLDER BUCKET		cat. no.	-	Product - Customer Drw		

PDS: Rev :E

STATUS:Released

Printed: Nov 12, 2019

X-ON Electronics

Largest Supplier of Electrical and Electronic Components

Click to view similar products for [D-Sub Mixed Contact Connectors](#) category:

Click to view products by [Amphenol](#) manufacturer:

Other Similar products are found below :

[790-025SF-5P5NMN](#) [790-025SJ-7P7NML](#) [DAM-7W2PC](#) [L717TWB5W5P3R](#) [L717TWB5W5PRM84](#) [L717TWP3W3P](#)
[3003W3PXX56N40X](#) [3005W5PXX99A30X](#) [3005W5PXX99E40X](#) [3005W5SXX99A30X](#) [3005W5SXX99E40X](#) [3013W6SCM99A10X](#)
[3036W4PCM41A10X](#) [3036W4SCM99A10X](#) [FCE17-E2W2SS-2N0](#) [212522-7](#) [PII-468-1](#) [3003W3PXX43A10X](#) [3003W3SXX56N40X](#)
[3005W5PXX88N40X](#) [3007W2PAR71E20X](#) [3008W8SXX57A30X](#) [3009W4PCT57P20X](#) [3011W1SXX99A10X](#) [3013W3PCM99A10X](#)
[3017W2SAR69C40X](#) [321WA4PXK99A60X](#) [3F3SSC22S41A30X](#) [L717TWA7W2PP2SY3R](#) [DBM-17W2S-1A8N-A190-A197-1](#)
[421WA4PCR50E20X](#) [09691009009](#) [09691100022500](#) [09693009176](#) [09692009147](#) [09693909015](#) [6017W2PCM41B30X](#) [790-061SH-](#)
[36W2NMNA](#) [790-044SE-7P3MNPB](#) [790-043PE-11P2MPA](#) [790-043PB-2P2MPB](#) [790-029SB-2P2MEPA](#) [790-028PK-9P9MPA](#) [790-028PH-](#)
[54P2MGA](#) [790-028PH-36P2MNA](#) [790-028PB-2P2MPA](#) [790-027SH-5W5MTEP](#) [790-026PH-54P2ZNUG](#) [790-026PH-54P2MP](#) [790-026PH-](#)
[36P2ZNUG](#)