



Amphenol FCI

© 2016 AFCI

© 2016 AFCI

1

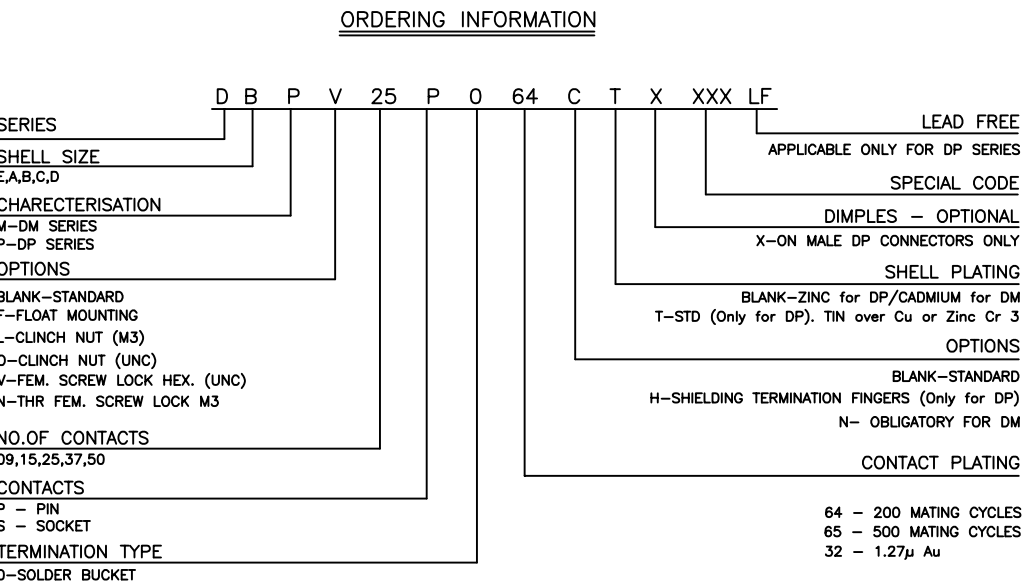
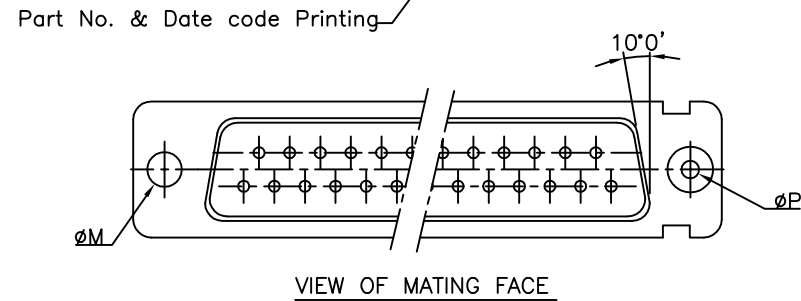
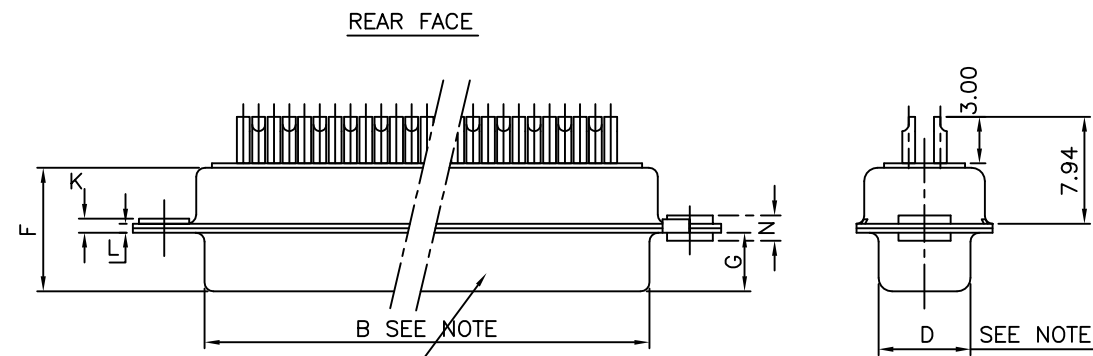
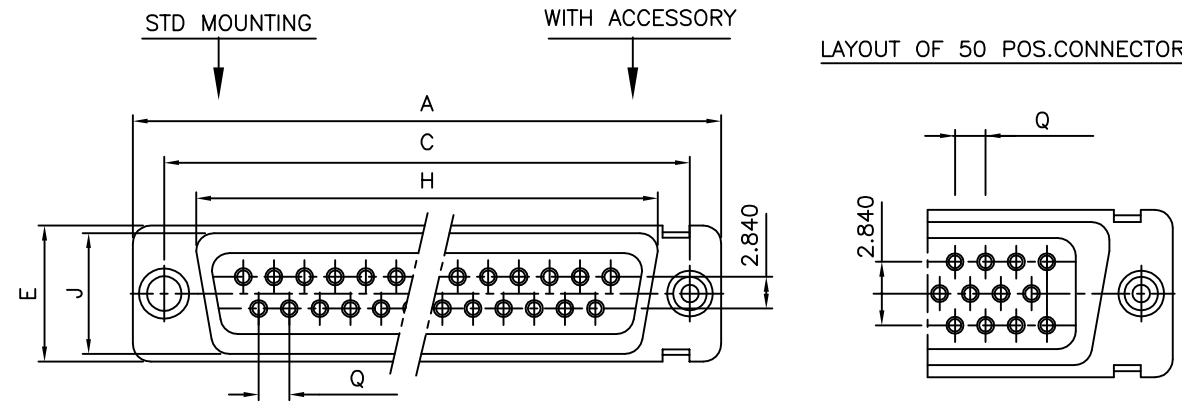
2

3

4

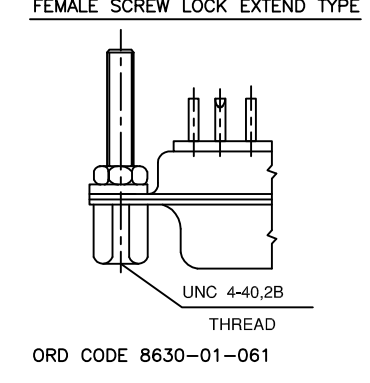
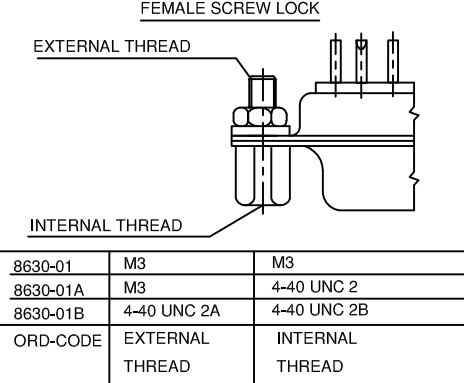
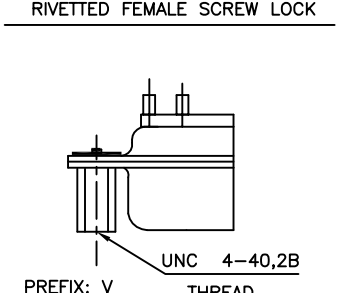
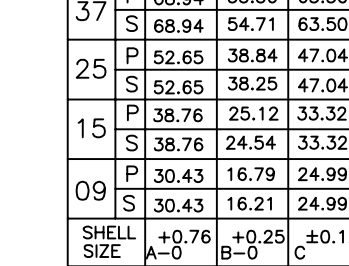
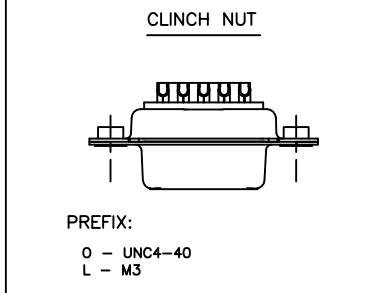
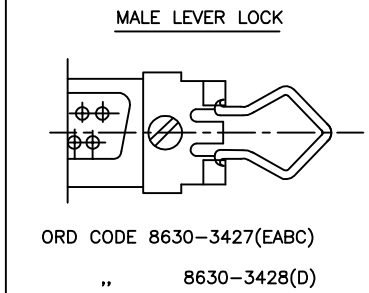
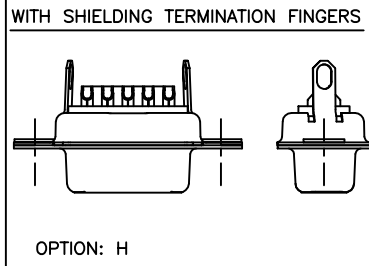
5

6



"This LF product meets European Union Directives and other country regulations as described in GS-47-0004"

Packaging as per GS-14-920



TECHNICAL SPECIFICATIONS

SHELLS	: TIN/CADMIUM/ZINC PLATED STEEL
INSULATOR MATERIAL	: SELF EXTINGUISHING THERMOPLASTIC- TO UL CLASS 94 V0
	: HOUSING WILL WITHSTAND EXPOSURE TO 260-265°C
	: IF USE PROTECTIVE ADHESIVE (type Kapton or Teflon) OR PROTECTIVE METALLIC DEVICE
CONTACT DIA ON ACTIVE AREA:	: Ø1 MM.
CONTACTS MATERIAL	: COPPER ALLOY
CONTACT PLATING	: GXT / GOLD OVER NICKEL
OPERATING TEMPERATURE	: -55°C +125°C
OPERATING CURRENT	: 7.5 A PER CONTACT
CONTACT RESISTANCE	: ≤7.3 mΩ
INSULATION RESISTANCE	: ≥5000 MΩ
MAXIMUM VOLTAGE	: 1000 V.r.m.s
MECHANICAL ENDURANCE	: 500 MATINGS FOR CODE 65 & 32
	: 200 MATINGS FOR CODE 64
DAMP HEAT	: 56 DAYS FOR CODE 65 & 32
	: 21 DAYS FOR CODE 64

mat'l. code		surface		tolerance		projection		product family	
SEE NOTES		ISO 1302 ✓		ISO 406 ISO 1101				D-SUB	
ltr		ecn no		dr		date		title	
N		ELX-I-25321		GREGAR		2016-14-11		D-SUB S/B CONNECTOR (DP&DM SERIES WITH ASSEMBLY OPTIONS)	
								dwg no	
								sheet 1 of 1	
								size	
								A3	
								type	
								Product Customer Drawing	
sheet index		revision sheet		1		1			

X-ON Electronics

Largest Supplier of Electrical and Electronic Components

Click to view similar products for [D-Sub Standard Connectors](#) category:

Click to view products by [Amphenol](#) manufacturer:

Other Similar products are found below :

[DCM37S732N](#) [DAM15P500](#) [DEV09S364GTLF](#) [DEM09P032N](#) [DDM50P732N](#) [DAM15S332N](#) [173109-2218](#) [173109-2466](#) [173109-2436](#)
[173109-2435](#) [56F706-005-LI](#) [56F711-015](#) [015-0341-000](#) [015-0372-008](#) [015-8544-011](#) [017041-0005](#) [020419-0104](#) [012-0515-000](#) [012-9507-](#)
[034](#) [012-9507-114](#) [012-9534-001](#) [020745-0008](#) [609-25P](#) [M24308/2-23Z](#) [M243082310F](#) [M243082410F](#) [M243082411F](#) [M24308/4-21](#)
[CT1A18-11PSA206](#) [CT1N36-5SC](#) [CT2-16S-17PS](#) [CT2-20-15PCAU](#) [CT2-24-12PS](#) [CT2-24-28PSF127A206](#) [CT2-32-9PC](#) [CT6F9767-14-4-](#)
[14S-5PC](#) [CT6FA10SL-4PS](#) [CT7-18-10SC](#) [CT7-18-10SCAU](#) [CT7-18-12SCAU](#) [CT7-18-1PC](#) [CT7-18-1PCAU](#) [CT7-18-21SCAU](#) [M83513/01-](#)
[FC](#) [M83723/76W24619 L/C](#) [M85049/48-3-2F](#) [69001-865](#) [6STD09PCM99B70X](#) [6STD09SCM99B30X](#) [6STD09SCT99S40X](#)