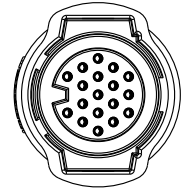
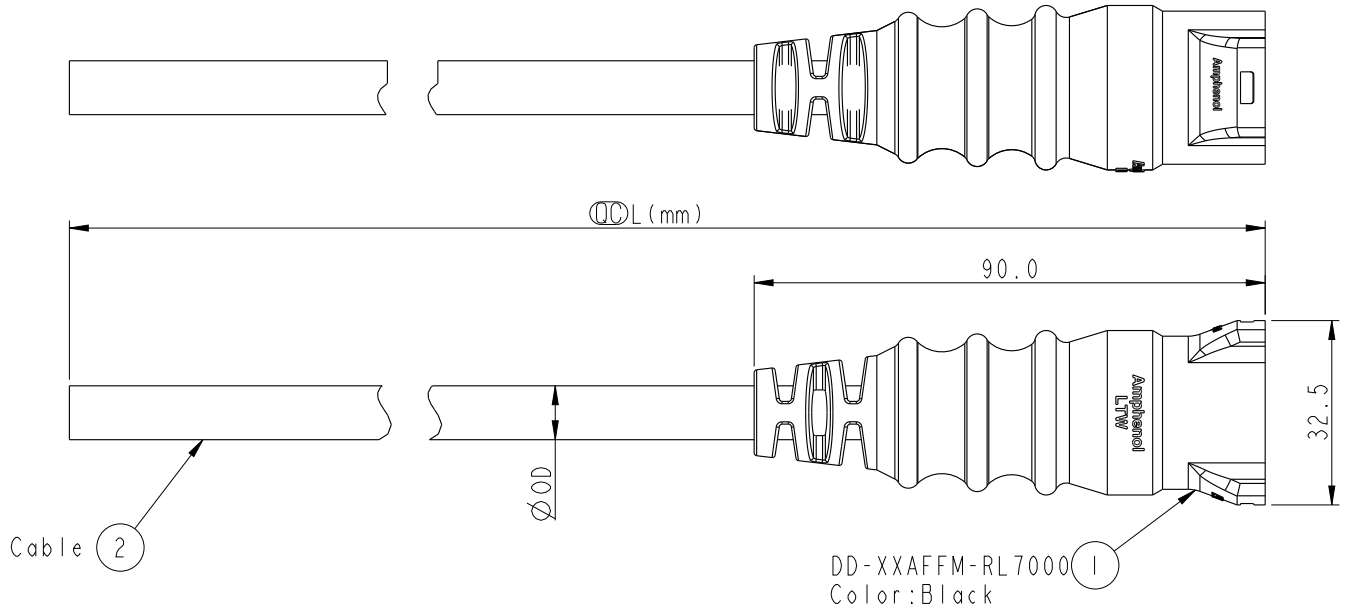
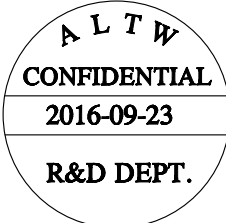


THIS DOCUMENT IS SUBJECT TO CHANGE WITHOUT NOTICE. IT IS CONFIDENTIAL AND A PROPERTY OF Amphenol LTW. DISCLOSURE TO THIRD PARTY HAS TO BE AUTHORIZED BY Amphenol LTW.

REV.	ECN NO.	DATE	SIGN	DESCRIPTION
B	LEN1580328~31	2015/08/19	Lu Di	Change To Common Drawing
C	LEN1690197~200	2016/09/23	Mafei	Change The Wire Color.



DD-XXAFFM-RL7000 1
Color:Black

DD-XXAFFM-RL7A XX

Large Size Current Rating 5A

XX:No. Of Pin(Pin 數)

A:Cable With S/R(線端帶網尾)

F:Female Connector(母座)

F:Female Pin(母Pin)

M:Molding Type(射出成型)

XX:01~99Meter

01:01Meter

02:02Meter

...

99:99Meter

A:UL 2464 Cable

7:IP67(防水等級 67)

L:Straight(180°)

R:Snap In With Latch(彈臂卡合)

Note:

- * \varnothing Important Dimension
- * Waterproof Rate: IP67
- * Housing: M-PPE, Black
- * Female Pin: Copper Alloy, Gold Plated
- * Cable: UL2464 20#,PVC Jacket, Black.
- * Cable Length Tolerance: 01M:±40mm
- 02M~05M:±60mm
- 06M~10M:±100mm
- 11M~30M:±200mm
- 31M~99M:±500mm
- * Prohibiting the use of place in oils

DD-10AFFM-RL7AXX	Ø 9.0
DD-12AFFM-RL7AXX	
DD-14AFFM-RL7AXX	Ø 9.5
DD-18AFFM-RL7AXX	
Part No.	Cable OD

UNIT:mm		TITLE	LARGE CABLE RBL F CONN F PIN		
TOLERANCE		SCALE	SIZE	SHEET	OF
±0.5mm		3:4	A4	1	2
REV.	WC-REV.	QC: Inspection item			
C	A.7				

Amphenol LTW
安費諾亮泰企業股份有限公司

ITEM NO	DRAWN BY	DATE
	Mafei	2016-09-23
DWG NO	CHECKED BY	DATE
DD-XXAFFM-RL7AXX	Youdan	2016-09-23
CUSTOMER	APPROVED BY	DATE
ALTW	Jerry	2016-09-23

THIS DOCUMENT IS SUBJECT TO CHANGE WITHOUT NOTICE. IT IS CONFIDENTIAL AND A PROPERTY OF AMPHENOL LTW. DISCLOSURE TO THIRD PARTY HAS TO BE AUTHORIZED BY AMPHENOL LTW.

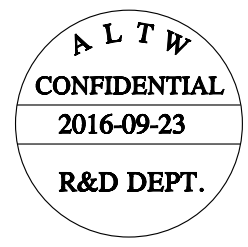
1 2 3 4 5 6 7 8



F



E



D

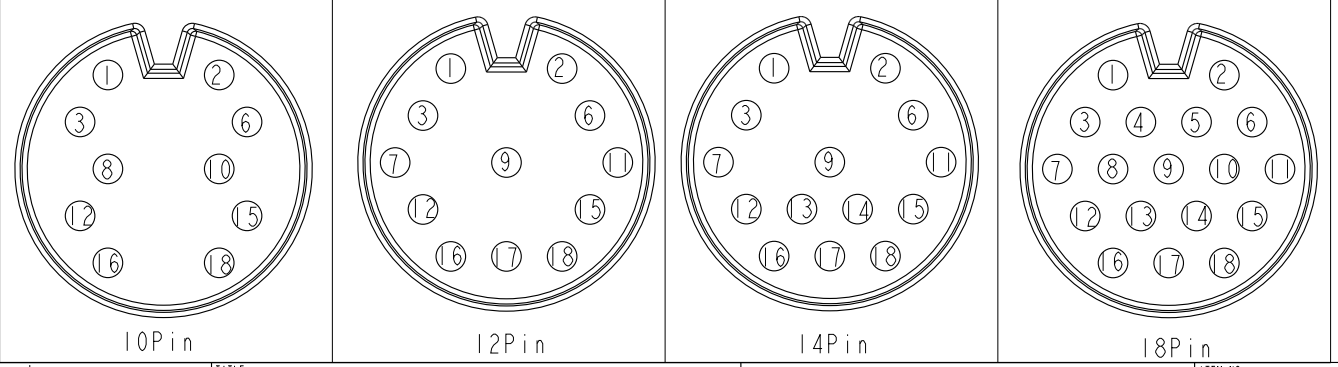
Pin Out

18 Purple(紫)	18 Black/White(黑/白)	18 Black/White(黑/白)	18 Light Green(淺綠)
17 --	17 Orange(橘)	17 Brown/White(棕/白)	17 Green/White(綠/白)
16 Brown(棕)	16 Pink(粉紅)	16 Light Green(淺綠)	16 Orange/White(橘/白)
15 Orange(橘)	15 Gray(灰)	15 Pink(粉紅)	15 Brown/White(棕/白)
14 --	14 --	14 Purple(紫)	14 Blue/White(藍/白)
13 --	13 --	13 Brown(棕)	13 Black/White(黑/白)
12 Yellow(黃)	12 Purple(紫)	12 Orange(橘)	12 Red/White(紅/白)
11 --	11 Yellow(黃)	11 Yellow(黃)	11 Orange(橘)
10 Gray(灰)	10 --	10 --	10 Pink(粉紅)
9 --	9 Green(綠)	9 Gray(灰)	9 Gray(灰)
8 Red(紅)	8 --	8 --	8 Purple(紫)
7 --	7 White(白)	7 Red(紅)	7 Yellow(黃)
6 Green(綠)	6 Brown(棕)	6 Green(綠)	6 Green(綠)
5 --	5 --	5 --	5 White(白)
4 --	4 --	4 --	4 Brown(棕)
3 Blue(藍)	3 Blue(藍)	3 Blue(藍)	3 Blue(藍)
2 White(白)	2 Black(黑)	2 White(白)	2 Black(黑)
1 Black(黑)	1 Red(紅)	1 Black(黑)	1 Red(紅)

C

B

Pin Assignments Front View



A

UNIT:mm TOLERANCE ±0.5	TITLE LARGE CABLE RBL F CONN F PIN		Amphenol LTW 安費諾亮泰企業股份有限公司	ITEM NO	DRAWN BY Mafei	DATE 2016-09-23	
	SCALE 3:4	SIZE A4		SHEET 2 OF 2	DWG NO DD-XXAFFM-RL7AXX	CHECKED BY Youdan	DATE 2016-09-23
	REV. C	WC-REV. A.7		QC: Inspection item	CUSTOMER ALTW	APPROVED BY Jerry	DATE 2016-09-23

1 2 3 4 5 6 7 8 FMW10702-01-02A1

X-ON Electronics

Largest Supplier of Electrical and Electronic Components

Click to view similar products for [Sensor Cables / Actuator Cables](#) category:

Click to view products by [Amphenol](#) manufacturer:

Other Similar products are found below :

[60963](#) [60964](#) [703000D02F2002](#) [703001D02F0602](#) [703001D02F300](#) [704000D02F120](#) [773032K02F030](#) [802027107404-1](#) [802027213811-1](#)
[804001A09M150](#) [805001A09M0502](#) [84914-0235](#) [84914-0237](#) [885030A09M020](#) [8R4J30E03C3003](#) [1200651332](#) [1200651713](#) [1200660844](#)
[1200660845](#) [1200661173](#) [1200680071](#) [1200720053](#) [1200720081](#) [1200720099](#) [1200720217](#) [1200800231](#) [1200860125](#) [1200870123](#)
[1200980102](#) [1200650267](#) [1200650298](#) [1200660183](#) [1200660782](#) [1200660849](#) [1200661295](#) [1200661297](#) [1200661342](#) [1200661343](#)
[1200670080](#) [1200670220](#) [1200680331](#) [1200720252](#) [1200730184](#) [1200860344](#) [1200870359](#) [1200870643](#) [1200980008](#) [1200980031](#)
[1210502211](#) [1210400542](#)