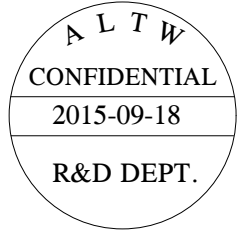
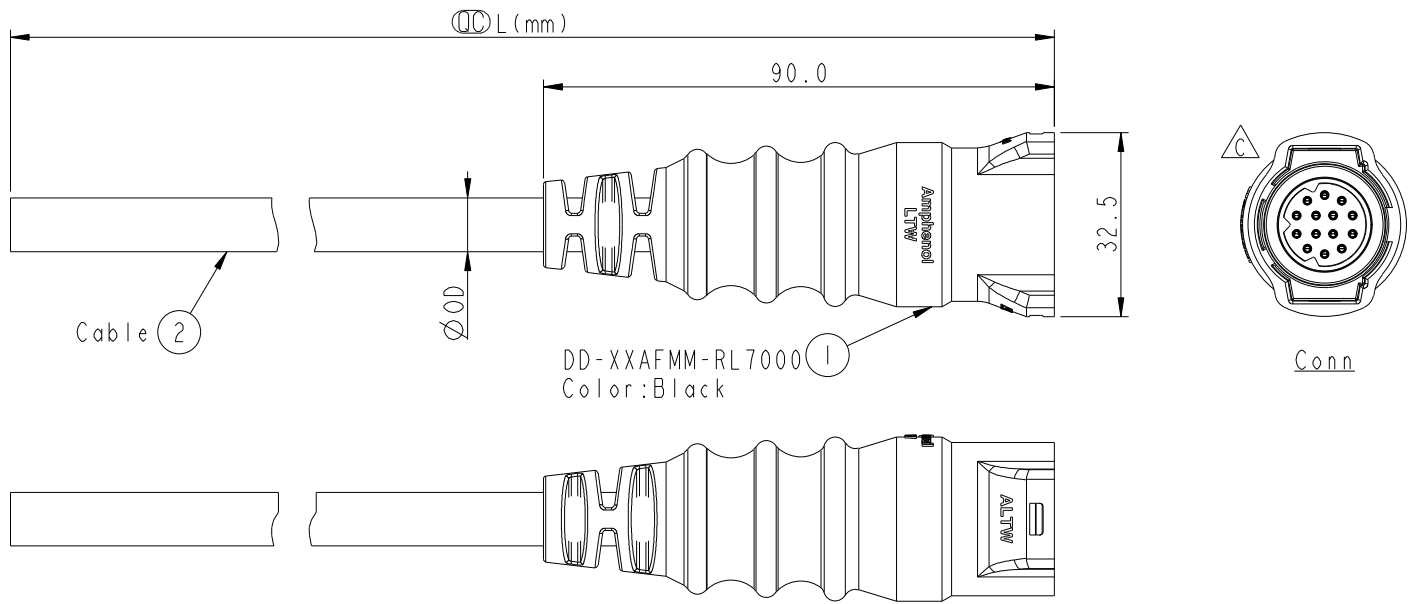


REV.	ECN NO.	DATE	SIGN	DESCRIPTION
B	LEN1580332~34	2015/08/19	Lu Di	Change To Common Drawing
C	LEN1590396~98	2015/09/18	Joyy	Modify The Housing Structure



DD-XXAFMM-RL7A XX

Large Size Current Rating 5A

XX: No. Of Pin (Pin 數)

A: Cable With S/R (線端帶網尾)

F: Female Connector (母座)

M: Male Pin (公Pin)

M: Molding Type (射出成型)

XX: 01~99 Meter

01: 01 Meter

02: 02 Meter

...

99: 99 Meter

A: UL 2464 Cable

7: IP67 (防水等級 67)

L: Straight (180°)

R: Snap In With Latch (彈臂卡合)

Note:

- * \varnothing Important Dimension
- * Waterproof Rate: IP67
- * Housing: M-PPE, Black
- * Male Pin: Copper Alloy, Gold Plated
- * Cable: UL2464 20#, PVC Jacket, UV Resistant, Black.
- * Cable Length Tolerance: 01M: ±40mm
- 02M~05M: ±60mm
- 06M~10M: ±100mm
- 11M~30M: ±200mm
- 31M~99M: ±500mm
- * Prohibiting the use of place in oils

DD-10AFMM-RL7AXX	∅ 9.0
DD-12AFMM-RL7AXX	
DD-14AFMM-RL7AXX	∅ 9.5
Part No.	Cable OD

UNIT: mm		TITLE	LARGE CABLE RBL F CONN M PIN		
TOLERANCE	±0.5	SCALE	3:4	SIZE	A4
		REV.	C	WC-REV.	A.3
				\varnothing	Inspection item
				SHEET	1 OF 2

Amphenol LTW
安費諾亮泰企業股份有限公司

ITEM NO.	DRAWN BY	DATE
	Joyy	2015-09-18
DWG NO.	CHECKED BY	DATE
DD-XXAFMM-RL7AXX	Lu Di	2015-09-18
CUSTOMER	APPROVED BY	DATE
ALTW	Jerry	2015-09-18

THIS DOCUMENT IS SUBJECT TO CHANGE WITHOUT NOTICE. IT IS CONFIDENTIAL AND A PROPERTY OF Amphenol LTW. DISCLOSURE TO THIRD PARTY HAS TO BE AUTHORIZED BY Amphenol LTW.

THIS DOCUMENT IS SUBJECT TO CHANGE WITHOUT NOTICE. IT IS CONFIDENTIAL AND A PROPERTY OF Amphenol LTW. DISCLOSURE TO THIRD PARTY HAS TO BE AUTHORIZED BY Amphenol LTW.



F								
E								
D	Pin Out	14 -- 13 Purple(紫) 12 Brown(棕) 11 -- 10 Orange(橘) 9 Yellow(黃) 8 -- 7 Gray(灰) 6 Red(紅) 5 Green(綠) 4 Blue(藍) 3 -- 2 White(白) 1 Black(黑)	14 Pink(粉紅) 13 Purple(紫) 12 Brown(棕) 11 Black/white (黑/白) 10 Orange(橘) 9 Yellow(黃) 8 -- 7 Gray(灰) 6 Red(紅) 5 Green(綠) 4 Blue(藍) 3 -- 2 White(白) 1 Black(黑)	14 Black/white(黑/白) 13 Brown/White(棕/白) 12 Light Green(淺綠) 11 Pink(粉紅) 10 Purple(紫) 9 Brown(棕) 8 Orange(橘) 7 Yellow(黃) 6 Gray(灰) 5 Red(紅) 4 Green(綠) 3 Blue(藍) 2 White(白) 1 Black(黑)				
C								
B	Pin Assignments Front View	<p style="text-align: center;">10Pin</p>	<p style="text-align: center;">12Pin</p>	<p style="text-align: center;">14Pin</p>				

UNIT:mm		TITLE LARGE CABLE RBL F CONN M PIN		Amphenol LTW 安費諾亮泰企業股份有限公司		ITEM NO	DRAWN BY Joyy	DATE 2015-09-18
TOLERANCE ±0.5		SCALE 3:4	SIZE A4	SHEET 2 OF 2		DWG NO DD-XXAFMM-RL7AXX	CHECKED BY Lu Di	DATE 2015-09-18
		REV. C	WC-REV. A.3	: Inspection item		CUSTOMER ALTW	APPROVED BY Jerry	DATE 2015-09-18

X-ON Electronics

Largest Supplier of Electrical and Electronic Components

Click to view similar products for [Sensor Cables / Actuator Cables](#) category:

Click to view products by [Amphenol](#) manufacturer:

Other Similar products are found below :

[60963](#) [60964](#) [703000D02F2002](#) [703001D02F0602](#) [703001D02F300](#) [704000D02F120](#) [773032K02F030](#) [802027107404-1](#) [802027213811-1](#)
[804001A09M150](#) [805001A09M0502](#) [84914-0235](#) [84914-0237](#) [885030A09M020](#) [8R4J30E03C3003](#) [1200651332](#) [1200651713](#) [1200660844](#)
[1200660845](#) [1200661173](#) [1200680071](#) [1200720053](#) [1200720081](#) [1200720099](#) [1200720217](#) [1200800231](#) [1200860125](#) [1200870123](#)
[1200980102](#) [1200650267](#) [1200650298](#) [1200660183](#) [1200660782](#) [1200660849](#) [1200661295](#) [1200661297](#) [1200661342](#) [1200661343](#)
[1200670080](#) [1200670220](#) [1200680331](#) [1200720252](#) [1200730184](#) [1200860344](#) [1200870359](#) [1200870643](#) [1200980008](#) [1200980031](#)
[1210502211](#) [1210400542](#)