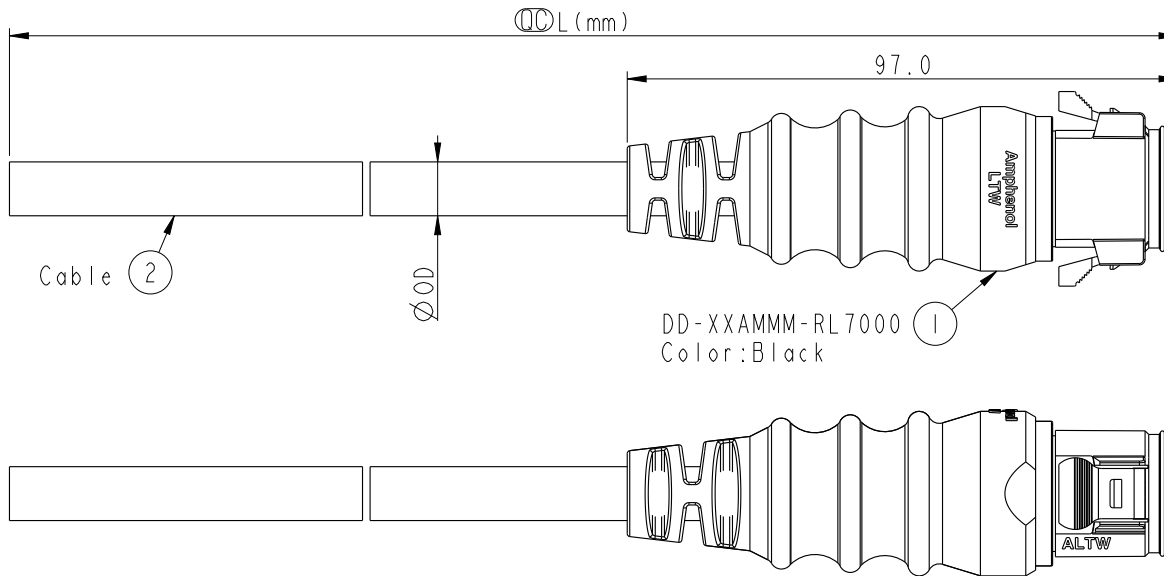
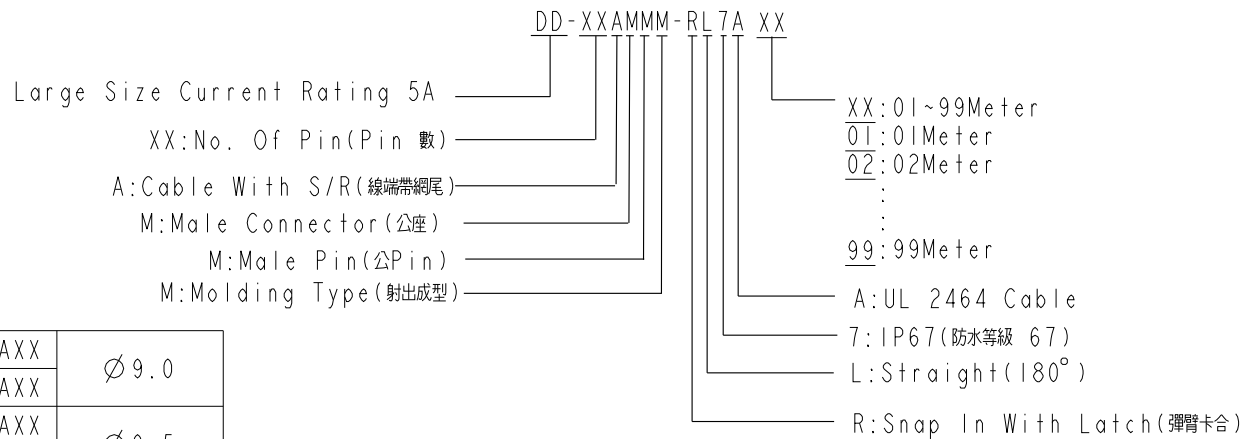


ALTW
CONFIDENTIAL
 2016-09-23
R&D DEPT.

REV.	ECN NO.	DATE	SIGN	DESCRIPTION
B	LEN1580335~38	2015/08/19	Lu Di	Change To Common Drawing
C	LEN1690193~96	2016/09/23	Mafei	Change The Wire Color.



DD-XXAMMM-RL7000
 Color:Black



Note:
 * Ⓞ Important Dimension
 * Waterproof Rate: IP67
 * Housing: M-PPE, Black
 * Male Pin: Copper Alloy, Gold Plated
 * Cable: UL2464 20#, PVC Jacket, Black.
 * Cable Length Tolerance: 01M: ±40mm
 02M~05M: ±60mm
 06M~10M: ±100mm
 11M~30M: ±200mm
 31M~99M: ±500mm
 * Prohibiting the use of place in oils

DD-10AMMM-RL7AXX	Ø 9.0
DD-12AMMM-RL7AXX	
DD-14AMMM-RL7AXX	Ø 9.5
DD-18AMMM-RL7AXX	
Part No.	Cable OD

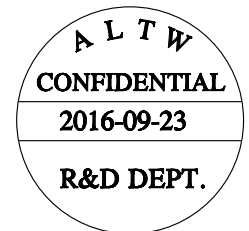
UNIT: mm		TITLE	LARGE CABLE RBL M CONN M PIN		
TOLERANCE	±0.5	SCALE	3:4	SIZE	A4
		REV.	C	WC-REV.	A.8
				Ⓞ	Inspection item
		SHEET	1	OF	2

Amphenol LTW
 安費諾亮泰企業股份有限公司

ITEM NO	DRAWN BY	DATE
	Mafei	2016-09-23
DWG NO	CHECKED BY	DATE
DD-XXAMMM-RL7AXX	Youdan	2016-09-23
CUSTOMER	APPROVED BY	DATE
ALTW	Jerry	2016-09-23

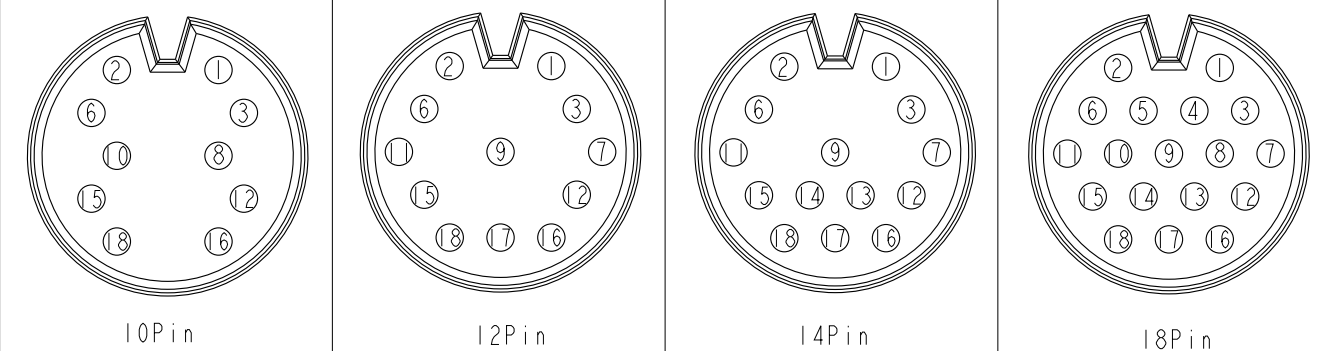
THIS DOCUMENT IS SUBJECT TO CHANGE WITHOUT NOTICE. IT IS CONFIDENTIAL AND A PROPERTY OF Amphenol LTW. DISCLOSURE TO THIRD PARTY HAS TO BE AUTHORIZED BY Amphenol LTW.

THIS DOCUMENT IS SUBJECT TO CHANGE WITHOUT NOTICE. IT IS CONFIDENTIAL AND A PROPERTY OF Amphenol LTW. DISCLOSURE TO THIRD PARTY HAS TO BE AUTHORIZED BY Amphenol LTW.



	△B						
		△C					
E							
D	Pin Out						
C							
B	Pin Assignments Front View						
A							

18 Purple(紫)	18 Black/White(黑/白)	18 Black/White(黑/白)	18 Light Green(淺綠)
17 --	17 Orange(橘)	17 Brown/White(棕/白)	17 Green/White(綠/白)
16 Brown(棕)	16 Pink(粉紅)	16 Light Green(淺綠)	16 Orange/White(橘/白)
15 Orange(橘)	15 Gray(灰)	15 Pink(粉紅)	15 Brown/White(棕/白)
14 --	14 --	14 Purple(紫)	14 Blue/White(藍/白)
13 --	13 --	13 Brown(棕)	13 Black/White(黑/白)
12 Yellow(黃)	12 Purple(紫)	12 Orange(橘)	12 Red/White(紅/白)
11 --	11 Yellow(黃)	11 Yellow(黃)	11 Orange(橘)
10 Gray(灰)	10 --	10 --	10 Pink(粉紅)
9 --	9 Green(綠)	9 Gray(灰)	9 Gray(灰)
8 Red(紅)	8 --	8 --	8 Purple(紫)
7 --	7 White(白)	7 Red(紅)	7 Yellow(黃)
6 Green(綠)	6 Brown(棕)	6 Green(綠)	6 Green(綠)
5 --	5 --	5 --	5 White(白)
4 --	4 --	4 --	4 Brown(棕)
3 Blue(藍)	3 Blue(藍)	3 Blue(藍)	3 Blue(藍)
2 White(白)	2 Black(黑)	2 White(白)	2 Black(黑)
1 Black(黑)	1 Red(紅)	1 Black(黑)	1 Red(紅)



A	UNIT:mm		TITLE LARGE CABLE RBL M CONN M PIN		ITEM NO	DRAWN BY Mafei	DATE 2016-09-23
	TOLERANCE ±0.5	SCALE 3:4	SIZE A4	SHEET 2 OF 2	DWG NO DD-XXAMMM-RL7AXX	CHECKED BY Youdan	DATE 2016-09-23
	REV. C	WC-REV. A.8	QC: Inspection item		CUSTOMER ALTW	APPROVED BY Jerry	DATE 2016-09-23
<h1>Amphenol LTW</h1> <p>安費諾亮泰企業股份有限公司</p>							

X-ON Electronics

Largest Supplier of Electrical and Electronic Components

Click to view similar products for [Sensor Cables / Actuator Cables](#) category:

Click to view products by [Amphenol](#) manufacturer:

Other Similar products are found below :

[60963](#) [60964](#) [M83513/19-F01CP](#) [703000D02F2002](#) [703001D02F0602](#) [703001D02F300](#) [704000D02F120](#) [773032K02F030](#) [802027107404-1](#)
[802027213811-1](#) [804001A09M150](#) [805001A09M0502](#) [84914-0235](#) [84914-0237](#) [885030A09M020](#) [8R4J30E03C3003](#) [1200651332](#)
[1200651713](#) [1200660844](#) [1200660845](#) [1200661173](#) [1200680071](#) [1200720053](#) [1200720081](#) [1200720099](#) [1200720217](#) [1200800231](#)
[1200860125](#) [1200870123](#) [1200980102](#) [1200650267](#) [1200650298](#) [1200660183](#) [1200660782](#) [1200660849](#) [1200661295](#) [1200661297](#)
[1200661342](#) [1200661343](#) [1200670080](#) [1200670220](#) [1200680331](#) [1200720252](#) [1200730184](#) [1200860344](#) [1200870359](#) [1200870643](#)
[1200980008](#) [1200980031](#) [1210502211](#)