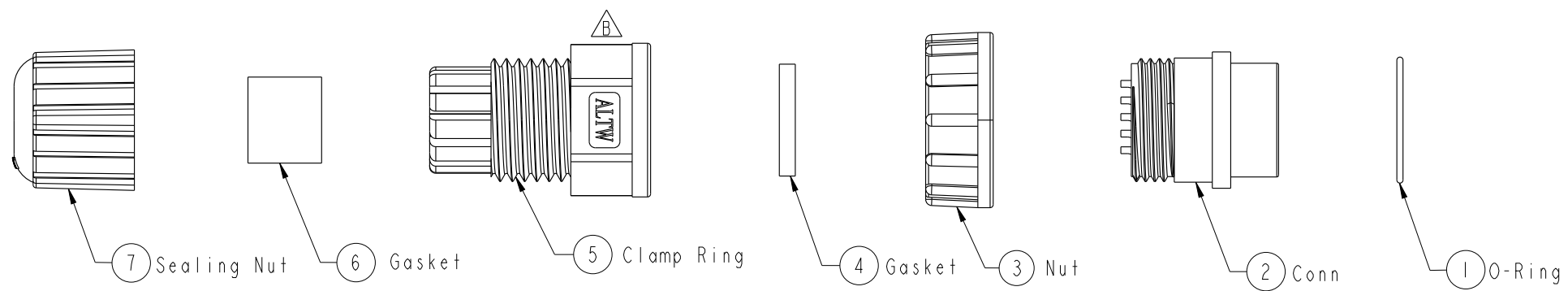
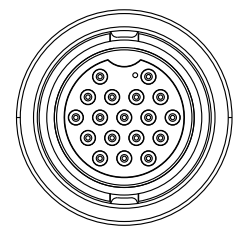
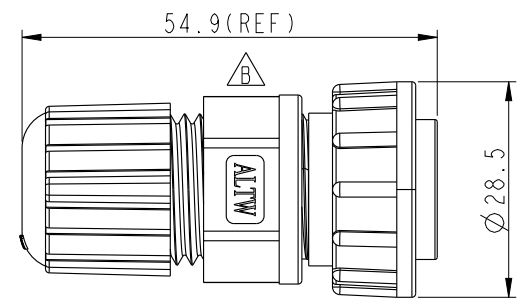
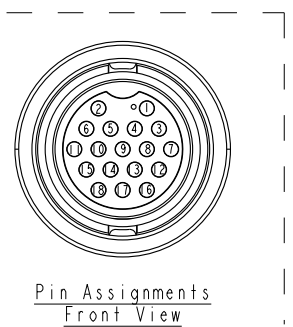


REV.	ECN NO.	DATE	SIGN	DESCRIPTION
B	LEN1530158	2014/12/17	Jinhai	Change Logo
C	LEN1670221	2016/07/18	Joy	Add The Color Of The Gasket



**ALTW**  
**CONFIDENTIAL**  
**2016-07-18**  
**R&D DEPT.**



- Note:
- \*  $\text{⌀}$  Important Dimension To Check.
  - \* Waterproof Rate: IP67
  - \* Housing: Nylon+GF, Black
  - \* Pin: Copper Alloy, Gold Plated
  - \* Ring: EPDM, Black
  - \*  $\triangle$  Gasket: Silicone, Black
  - \* Nut: Nylon+GF, Black
  - \* Clamp Ring: Nylon+GF, Black
  - \* Sealing Nut: Nylon+GF, Black
  - \* Seal: EPDM, Black
  - \* Seals For Cable OD:  $\text{⌀}5.5\text{mm}\sim 10.8\text{mm}$

UNIT:mm   TOLERANCE .X $\pm 0.25$ .XX $\pm 0.1$ .XXX $\pm 0.05$ ANGLES $\pm 1^\circ$	TITLE Large Assy 18Pin F Conn M Pin		<b>Amphenol LTW</b> <b>安費諾亮泰企業股份有限公司</b>		ITEM NO DD-18BFMA-LL7001	DRAWN BY Joyy	DATE 2016-07-18
	SCALE 1:1	SIZE A4	SHEET 1	OF 1	DWG NO DD-18BFMA-LL7001	CHECKED BY Ma Fei	DATE 2016-07-18
	REV. C	WC-REV. A.3	$\text{⌀}$ : Inspection item		CUSTOMER ALTW	APPROVED BY Jerry	DATE 2016-07-18
					ALTW		DATE 2016-07-18

THIS DOCUMENT IS SUBJECT TO CHANGE WITHOUT NOTICE. IT IS CONFIDENTIAL AND A PROPERTY OF Amphenol LTW. DISCLOSURE TO THIRD PARTY HAS TO BE AUTHORIZED BY Amphenol LTW.

## X-ON Electronics

Largest Supplier of Electrical and Electronic Components

*Click to view similar products for [Standard Circular Connector](#) category:*

*Click to view products by [Amphenol](#) manufacturer:*

Other Similar products are found below :

[5M2530B10P](#) [600259N006](#) [600273N007](#) [6134-336-13149](#) [6134-337-11149](#) [6134-337-2390](#) [6134-341-17149](#) [6280-4SG-516](#) [6280-7SG-3DC](#)  
[6290](#) [6291A](#) [66200A-10](#) [680-SMG](#) [681-PMG](#) [CXS3102A14S2P](#) [CXS3102A181S](#) [7251-6SG-300](#) [7271-6SG-300](#) [7282-3PG-300-CH3](#) [75-](#)  
[474014-05S](#) [75-474618-01S](#) [75-474618-04P](#) [75-474618-04S](#) [799539-000](#) [MI8-SE](#) [805-005-07NF11-19PC](#) [805-005-07NF15-7PA](#) [8280-4PG-](#)  
[516](#) [8280-7PG-519](#) [8282-5PG-519](#) [836783-1](#) [MP-4102-25P-C](#) [862256-1](#) [864019-2](#) [866857-1](#) [867865-1](#) [PT01SP-14-18P](#) [PT08P-14-5S](#)  
[PTSF06SE-14-12S](#) [120-1833-000](#) [QCM019PC2DC012B](#) [1-2069279-1](#) [121583-0217](#) [121667-0020](#) [129591AU](#) [1000B BULK](#) [RD10A16-19-](#)  
[P6CS051/1](#) [RD10A20-31-P8CS051/1](#) [RD16A14-12-S6CS051/2](#) [1301240290](#) [1301240347](#)