



Amphenol FCI

© 2016 AFCI

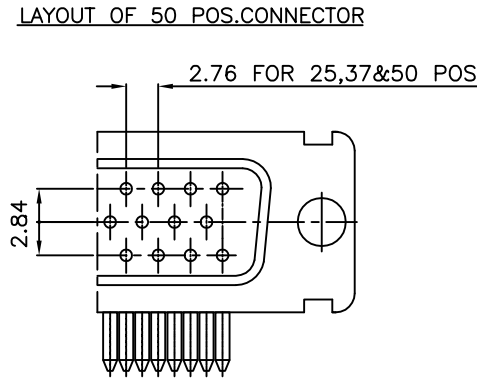
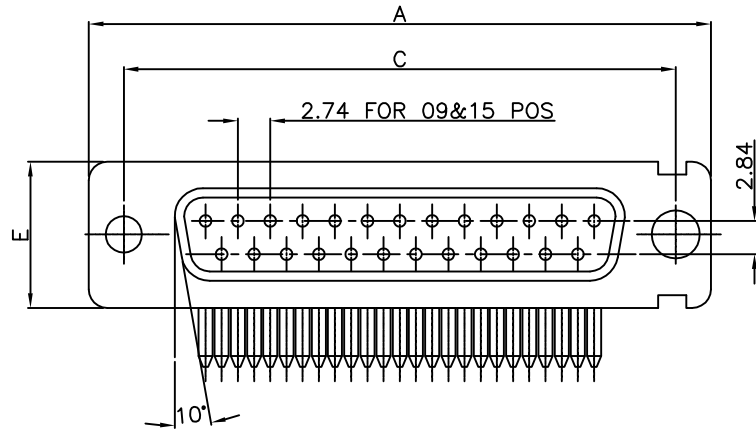
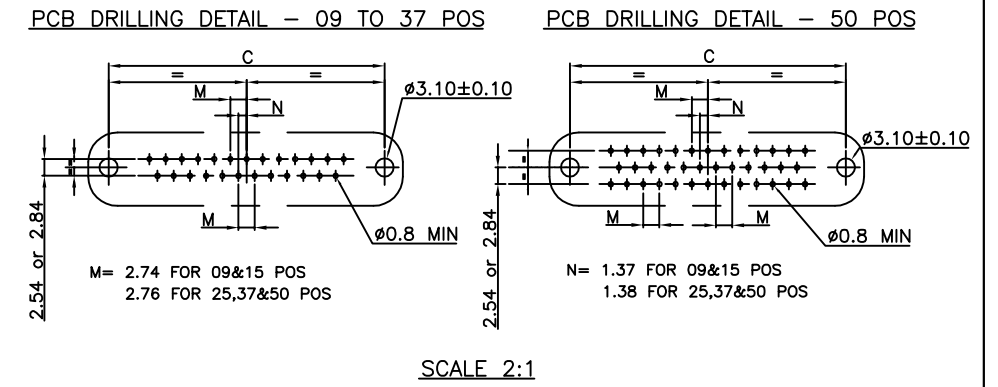
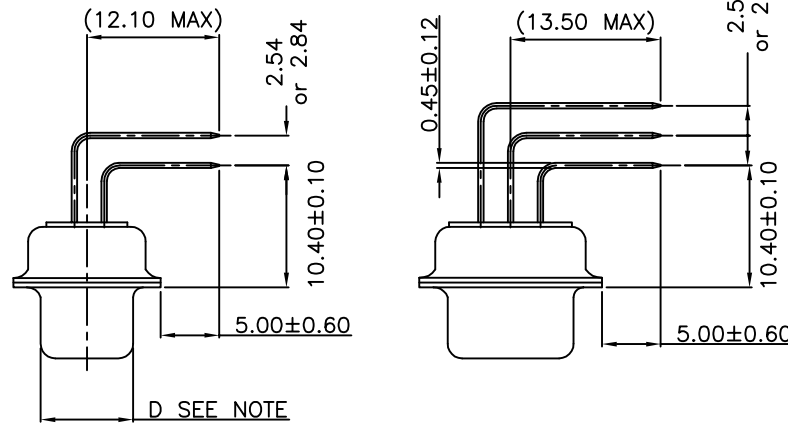
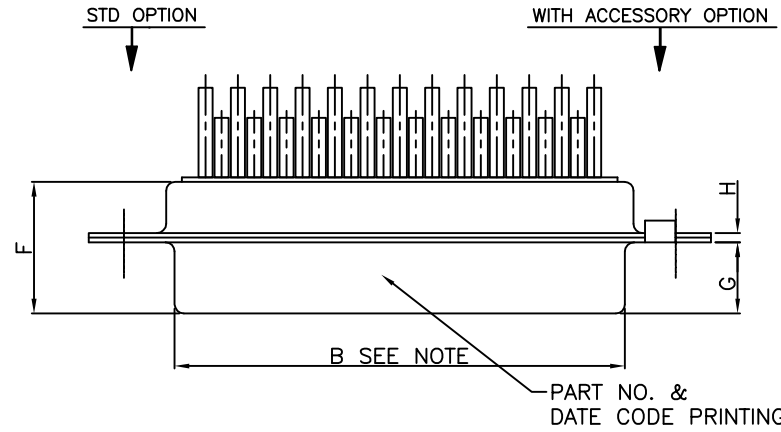
1

2 3

4

5

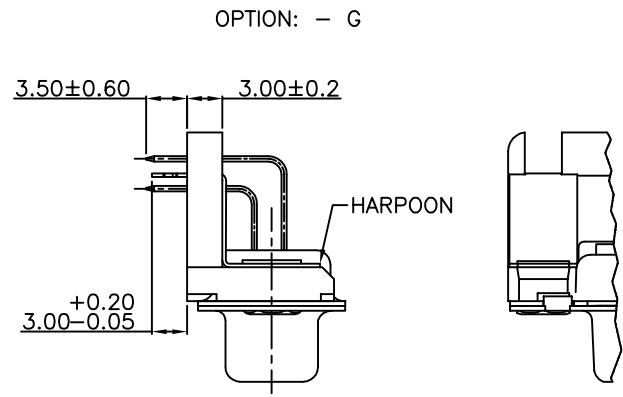
6



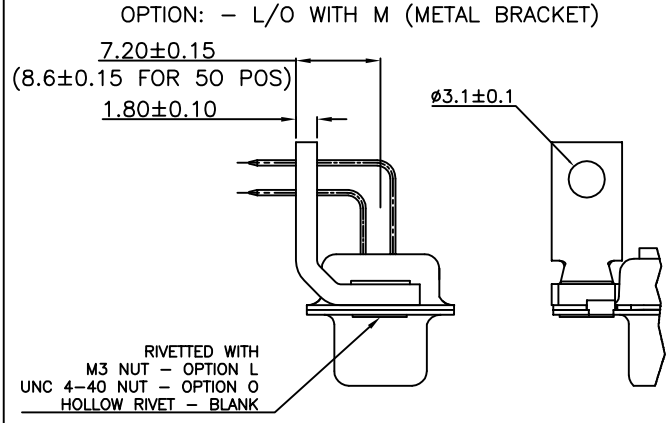
TECHNICAL SPECIFICATIONS

- SHELLS : TIN PLATED STEEL
- CONTACTS DIA ON ACTIVE AREA  $\phi 1$  MM.
- CONTACTS MATERIAL : COPPER ALLOY
- CONTACT PLATING : GXT / GOLD OVER NICKEL (ACTIVE ZONE)  
: TIN OVER NICKEL (TERMINATION ZONE)
- FOR LEAD FREE PLATING : 2 $\mu$  MIN. TIN TOP OVER 1.27 $\mu$  MIN.  
NICKEL UNDER PLATE(ON TERMINATION ZONE)
- INSULATOR MATERIAL : SELF EXTINGUISHING THERMOPLASTIC-  
TO UL CLASS 94 V0  
THE HOUSING WILL WITHSTAND EXPOSURE TO  
260-265°C IF WE USE PROTECTIVE ADHESIVE  
(Kapton or Teflon) OR PROTECTIVE METALLIC DEVICE
- OPERATING TEMPERATURE : -55°C +125°C
- OPERATING CURRENT : 5 A PER CONTACT
- CONTACT RESISTANCE :  $\leq 25$ m $\Omega$
- INSULATION RESISTANCE :  $\geq 5000$  M $\Omega$
- MAXIMUM VOLTAGE : 1000 V.r.m.s
- MECHANICAL ENDURANCE : 500 MATINGS MIN.FOR CODE 65  
200 MATINGS MIN.FOR CODE 64
- DAMP HEAT : 21 DAYS.

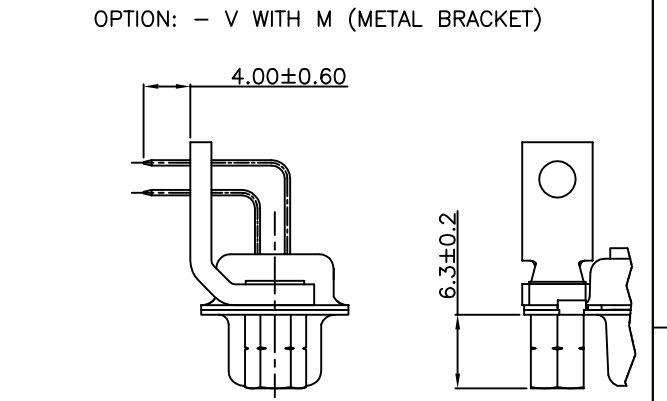
HARPOON WITH PLASTIC BRACKET



VIEW WITH RIVET & METAL BRACKET



VIEW WITH RIVETED FEMALE SCREW & METAL BRACKET



|    |            |            |            |            |            |            |       |            |            |
|----|------------|------------|------------|------------|------------|------------|-------|------------|------------|
| 50 | P          | 66.93      | 52.80      | 61.11      | 11.20      | 15.37      | 11.09 | 5.75       | 1.0        |
|    | S          | 66.93      | 52.42      | 61.11      | 10.74      | 15.37      | 11.21 | 6.05       | 0.9        |
| 37 | P          | 69.32      | 55.42      | 63.50      | 8.35       | 12.55      | 11.09 | 5.75       | 1.0        |
|    | S          | 69.32      | 54.83      | 63.50      | 7.89       | 12.55      | 11.21 | 6.05       | 0.9        |
| 25 | P          | 53.03      | 38.96      | 47.04      | 8.35       | 12.55      | 11.09 | 5.75       | 0.9        |
|    | S          | 53.03      | 38.37      | 47.04      | 7.89       | 12.55      | 11.21 | 6.05       | 0.9        |
| 15 | P          | 39.14      | 25.24      | 33.32      | 8.35       | 12.55      | 10.99 | 5.85       | 0.9        |
|    | S          | 39.14      | 24.66      | 33.32      | 7.89       | 12.55      | 11.21 | 6.05       | 0.9        |
| 09 | P          | 30.81      | 16.91      | 24.99      | 8.35       | 12.55      | 10.99 | 5.85       | 0.9        |
|    | S          | 30.81      | 16.33      | 24.99      | 7.89       | 12.55      | 11.21 | 6.05       | 0.9        |
|    | SHELL SIZE | $\pm 0.38$ | $\pm 0.13$ | $\pm 0.13$ | $\pm 0.13$ | $\pm 0.38$ | F MAX | $\pm 0.25$ | $\pm 0.12$ |
|    |            | A          | B          | C          | D          | E          |       | G-O        | H          |

NOTES:  
 1) GENERAL VIEW SHOWN IS OPTION C  
 2) INSIDE DIMENSION OF MALE AND OUTSIDE DIMENSION OF THE FEMALE CONNECTOR

"This LF product meets European Union Directives and other country regulations as described in GS-47-0004."  
 The housing will withstand exposure to 260°C peak temperature for 3.5 seconds in a wave solder application with a 1.6mm minimum thick circuit board.  
 Packaging as per GS-14-920

ORDERING INFORMATION

SERIES DBV 25 P 5 64 C T X XXX LF

SHELL SIZE E,A,B,C,D

OPTIONS  
 BLANK-STANDARD  
 V-RVTD HEX. FEM SCREW LOCK (UNC4-40)  
 L-CLINCH NUT (M3)  
 O-CLINCH NUT (UNC4-40)

NO.OF CONTACTS  
 09,15,25,37,50

CONTACTS  
 P - PIN  
 S - SOCKET

TERMINATION TYPE  
 5- ANGLED SPILL 2.54mm BETWEEN ROWS  
 8- ANGLED SPILL 2.84mm BETWEEN ROWS

LEAD FREE SPECIAL CODES

DIMPLES  
 X-ON MALE CONNECTORS ONLY

SHELL PLATING  
 BLANK-ZINC  
 T-STD. TIN LEAD Over Cu

OPTIONS  
 BLANK - STANDARD  
 G - HARPOON  
 M - METAL BRACKET  
 C - WITHOUT BRACKET

CONTACT PLATING  
 64 - 200 MATING CYCLES  
 65 - 500 MATING CYCLES

|             |             |                  |            |  |
|-------------|-------------|------------------|------------|--|
| mat'l. code | surface     | tolerance        | projection | product family                             |
| -           | ISO 1302 ✓  | ISO 406 ISO 1101 |            | D-SUB                                      |
| ltr         | ecn no      | dr               | date       | title                                      |
| G           | I06-0074    | GVJ              | 2006/06/08 | D-SUB A/S CONNECTOR WITH FOOTPRINT 10.4 mm |
| H           | I08-0139    | MRA              | 2008/10/13 | (WITH ASSEMBLY OPTIONS)                    |
| J           | I09-0075    | MRA              | 2009/05/14 |  |
| K           | I11-0003    | MRA              | 2011/01/06 | dwg no                                     |
| L           | ELX-I-15429 | MP               | 2013/08/06 | sheet 1 of 1                               |
| M           | ELX-I-20760 | MP               | 2015/05/02 | size                                       |
| N           | ELX-I-36806 | GM               | 22-04-2020 | A3   |
| sheet       | revision    | N                |            | Amphenol FCI                               |
| index       | sheet       | 1                |            | C-DSUB-0066                                |
|             |             |                  |            | type Product Customer Drawing              |

## X-ON Electronics

Largest Supplier of Electrical and Electronic Components

*Click to view similar products for [D-Sub Standard Connectors](#) category:*

*Click to view products by [Amphenol](#) manufacturer:*

Other Similar products are found below :

[56F706-005-LI](#) [56F711-015](#) [012-9507-004](#) [LV242999-142T12](#) [015-0341-000](#) [015-0372-005](#) [015-0372-008](#) [015-8755-001](#) [020419-0104](#)  
[012-0467-000](#) [012-9507-034](#) [012-9507-114](#) [020745-0008](#) [609-25P](#) [CT2-18-11PCAU](#) [CT6-10SL-3SC](#) [CT6-10SL-4SC](#) [CT6-14S-2SC](#)  
[CT6E14SA7SC](#) [CT6N10SL-4SSA34](#) [M83513/01-FC](#) [M83723/76W24619 L/C](#) [M85049/48-3-2F](#) [6STD09PCM99B70X](#) [6STD09SCM99B30X](#)  
[6STD09SCT99S40X](#) [6STD15PCT99S40X](#) [6STD15SCT99S40X](#) [6STF09PCM05B70X](#) [7-135760-9](#) [MC11E-10-6SN](#) [747552-3](#) [MD1-21PS](#)  
[MDM-15SCBRM7-F222](#) [MDM96517-699](#) [MDM96521-744](#) [MDVB1-21SL1](#) [MIK0-1-7SH003](#) [MIKQ6-7SH076](#) [MIKQ7-7PH077](#) [MIKQ7-](#)  
[7PH11](#) [MIKQ7-7PH32](#) [MJSV-28SL61](#) [MKJ4A1F14-55S](#) [8-135760-3](#) [8STD09PCM99B30X](#) [PG-KV/PV-16-GROM-SEALING](#) [GDA15P](#)  
[GDAY15PB](#) [980-0000-170](#)